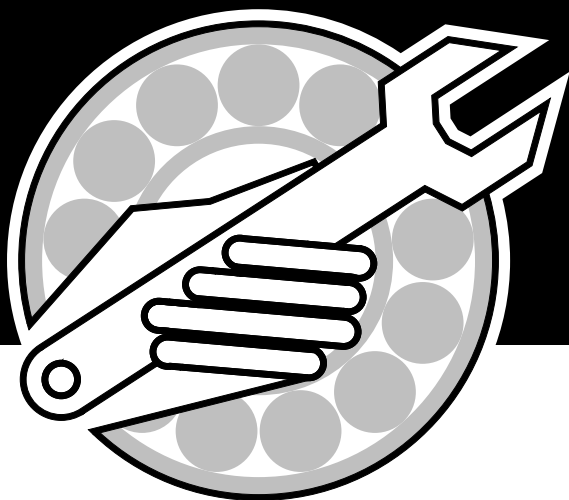




Parts Manual



16K PLUS Auto Align Bale Runner

Part Number K49356-01

IMPORTANT:

ALL ITEMS ARE IDENTIFIED WITH A PART NUMBER. Some of the smaller parts such as bolts, nuts, washers, etc. are not all shown, however, the quantity used are listed in the text for that section which they fit into. That particular quantity is always the quantity required for one complete assembly.

Smaller parts, which are welded together to construct a larger part, are not to be ordered as individual pieces, unless they have a part number to identify them.

Contact your nearest dealer for genuine repair parts. Dealers carry ample stock and are backed by the manufacturer and regional associations.

PROAG PAINT

Spray Cans:

Part Number	Description
W-4647	Red Spray Can
N31087	Sky White Spray Can

Litre Cans:

Part Number	Description
Z-10.....	Red Paint/Litre

MANUALS

Part Number	Description
K49355	Operator's Manual

Table of Contents

Section 1:

- Parts Breakdown 1-1**
 - Frame 1-2
 - Hitch 1-4
 - Hydraulic Valves Mounting 1-6
 - Sensors Mounting 1-8
 - Bed Assembly - Stage 1 1-10
 - Bed Assembly - Stage 2 1-12
 - Slow Moving Vehicle Sign 1-14
 - Loader Assembly 1-16
 - Loader Arm Assembly 1-18
 - Hose Clamp Locations - Stage 1 1-20
 - Hose Clamp Locations - Stage 2 1-21
 - Drive Chain Assembly 1-22
 - Final Assembly 1-24
 - Hydraulic Assembly 1-26
 - Hawe Valve 1-30
 - Cylinder Specification Sheet 1-32
 - Electrical Control Assembly 1-33
 - Light Assembly 1-34
 - Suspension Assembly 1-35
 - Non Brake Hub Assembly 1-36
 - Air Brake Hub Assembly 1-37
 - Air Brake Assembly 1-38
 - Slack Adjustment Assembly 1-40
- Index i**

Table of Contents

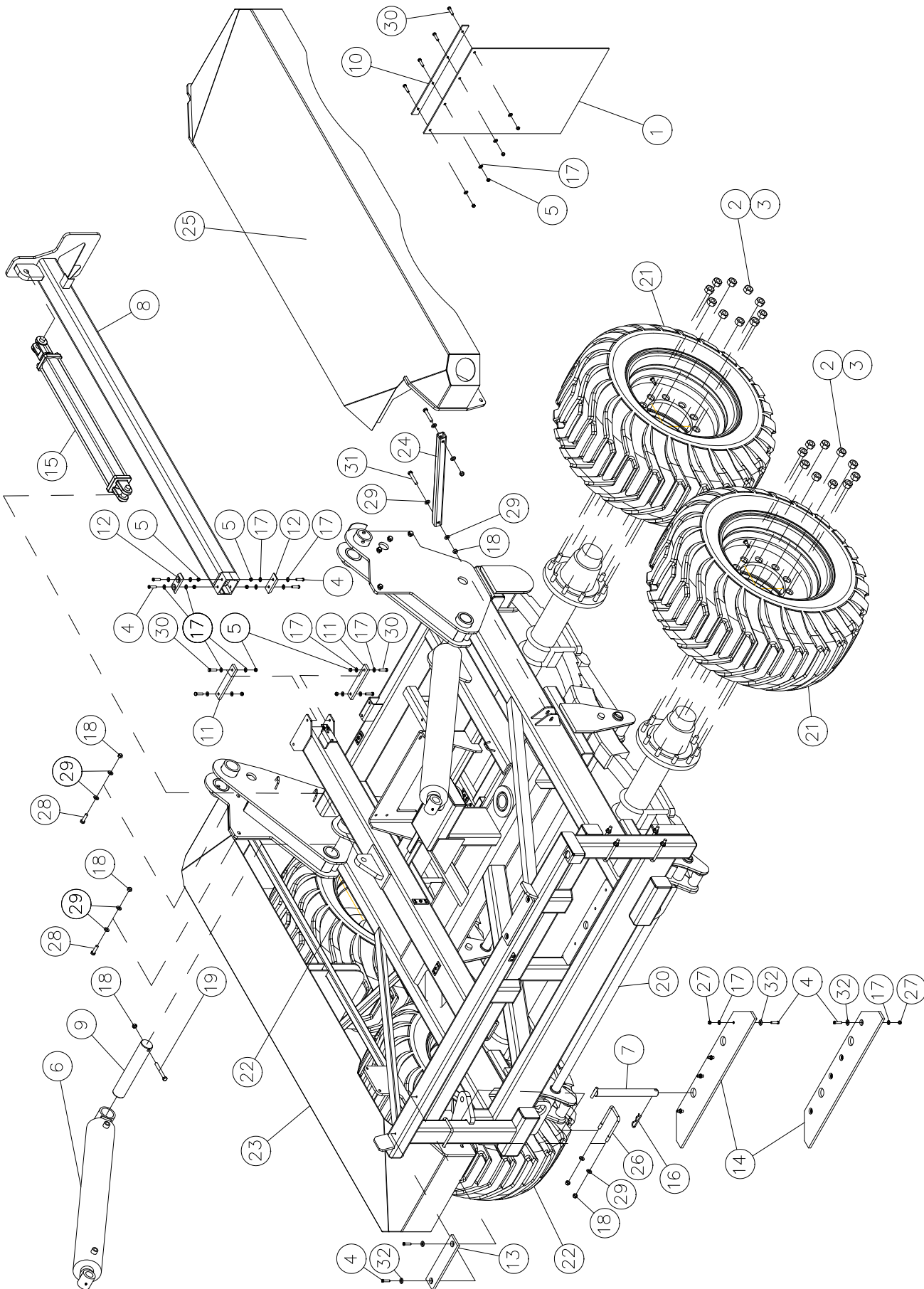
Notes

Section 1: Parts Breakdown

Section Contents

Frame	1-2
Hitch	1-4
Hydraulic Valves Mounting	1-6
Sensors Mounting	1-8
Bed Assembly - Stage 1	1-10
Bed Assembly - Stage 2	1-12
Slow Moving Vehicle Sign	1-14
Loader Assembly	1-16
Loader Arm Assembly	1-18
Hose Clamp Locations - Stage 1	1-20
Hose Clamp Locations - Stage 2	1-21
Drive Chain Assembly	1-22
Final Assembly	1-24
Hydraulic Assembly	1-26
Hawe Valve	1-30
Cylinder Specification Sheet	1-32
Electrical Control Assembly	1-33
Light Assembly	1-34
Suspension Assembly	1-35
Non Brake Hub Assembly	1-36
Air Brake Hub Assembly	1-37
Air Brake Assembly	1-38
Slack Adjustment Assembly	1-40

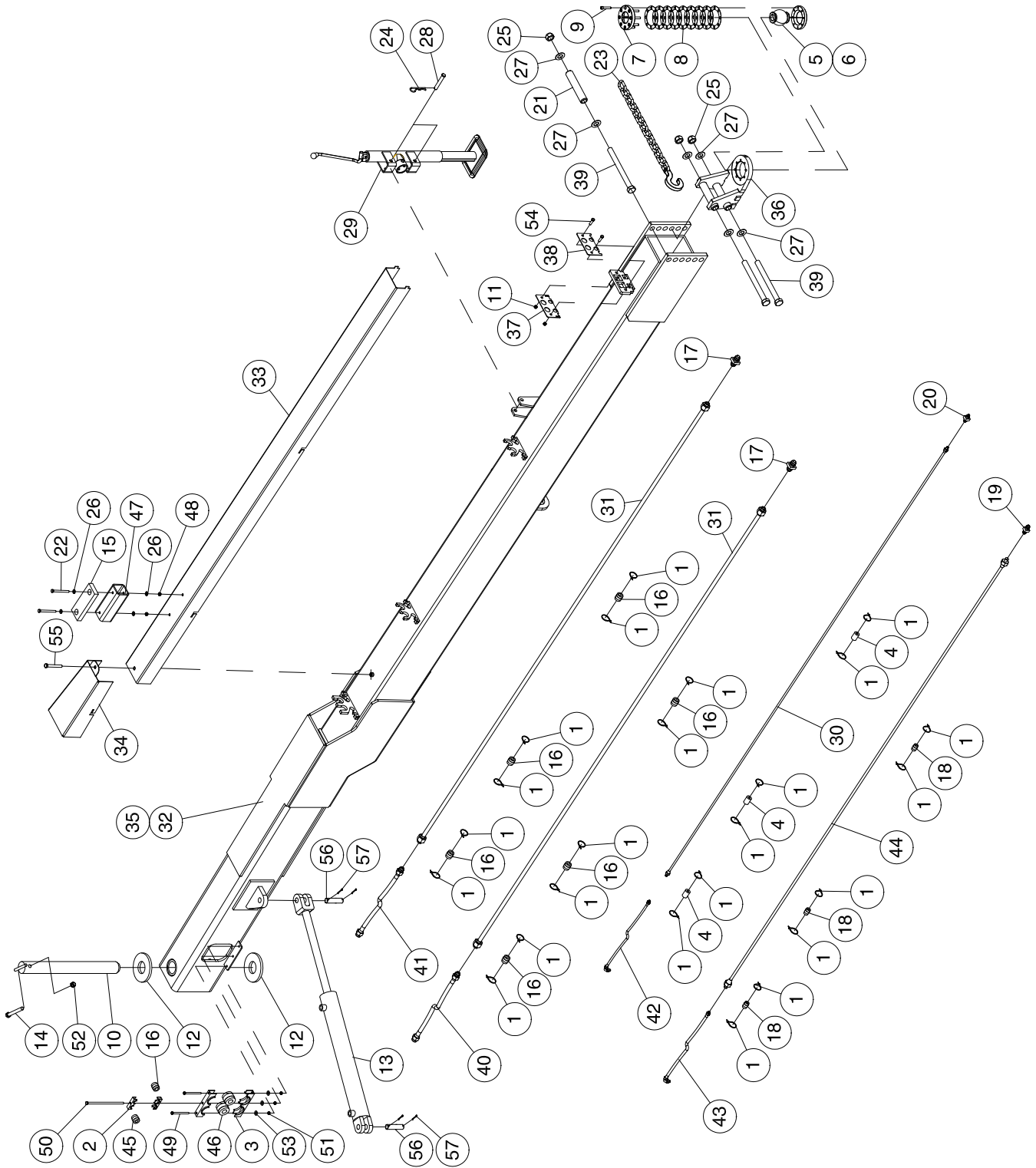
Frame



Frame

Item	Part No.	Description	Qty
1	11589	Mud Flap	2
2	10046	Lug Nut - Left	20
3	10047	Lug Nut - Right.....	20
4	10075	Hex Socket Cap Screw - 3/8 x 1 1/2 Lg	16
5	10229	Locknut - 3/8 Nylon Insert.....	16
6	10436	Hydraulic Cylinder - 4 x 36 Stroke.....	2
7	11065	Pin - Hitch Lock.....	1
8	11373	Push Off.....	1
9	11382	Pin - 2 7/16 Dia	2
10	11429	Strap - Mud Flap	2
11	11469	Push Off Tube Plastic.....	2
12	11470	Push Off Plastic	2
13	11471	Bed Cushion Plastic.....	2
14	11701	Hitch Cradle Plastic.....	2
15	12168	Hydraulic Cylinder - 3 x 14 Stroke.....	1
16	BW-11	Hairpin - 3/16	1
17	D-5489	Washer - 13/32 ID x 13/16 OD x 16 Ga	32
18	F-3405	Locknut - 1/2 Uunitorque.....	22
19	K25798	Hex Bolt - 1/2 x 4 Lg	2
20	K45449	Frame/Suspension/Axles Assembly.....	1
21	K45650	Tire + Rim Assy - Left	2
22	K45652	Tire + Rim Assy - Right.....	2
23	K48205	Right Fender	1
24	K48208	Support Beam.....	2
25	K48210	Left Fender.....	1
26	K51086	U-Bolt - 1/2 x 3 x 5 3/4 UL.....	4
27	M-3388	Locknut - 3/8 Uunitorque.....	8
28	S-1189	Hex Bolt - 1/2 x 1 3/4 Lg	8
29	S-1925	Flat Washer - 17/32 ID x 1 OD x 13 Ga	28
30	W-477	Hex Bolt - 3/8 x 1 1/2 Lg	12
31	W-491	Hex Bolt - 1/2 x 2 3/4 Lg	4
32	W-538	Flatwasher - 7/16 ID x 1 OD x 14 Ga.....	12
	11749	16K Axle.....	2
	12261	16K Air Brake Axle.....	2
	K50836	16K Hydraulic Brake Axle	2

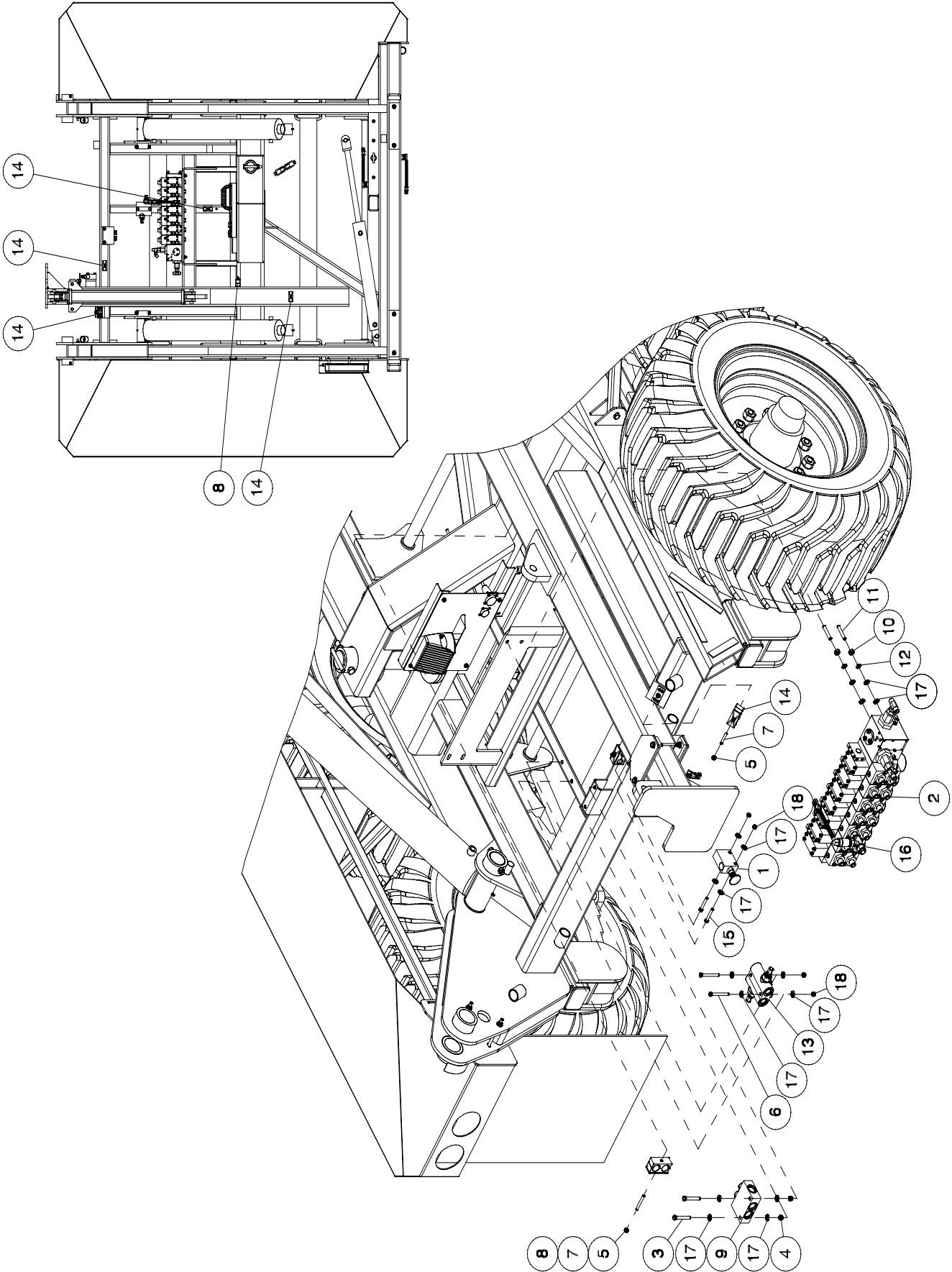
Hitch



Hitch

Item	Part No.	Description	Qty
1	D-4838	Tie Strap -14 1/2 Lg (11901)	24
2	12020	Clamp - 2	1
3	1202	Clamp - 3	1
4	12036	Rubber - 3/8 x 1 1/2	3
5	10049	Ball - Hitch Clevis	1
6	10050	Lower Ring - Ball Clevis	1
7	10051	Upper Ring - Ball Clevis	1
8	10052	Shim - Ball Clevis	9
9	10069	Cap Screw - 3/8 x 2 Lg	8
10	10129	Pin - Hitch Pivot	1
11	M-3388	Locknut - 3/8 Nylon Insert	2
12	10352	Washer - Hitch Pivot - 1/2	2
13	10449	Hitch Cylinder	1
14	10816	Hex Bolt - 5/8 x 5 Lg	1
15	11468	Loader Stop	1
16	12024	Rubber - 3/4 x 2	7
17	12025	Bulk Head Clamp - 2 x 12 JIC	2
18	12026	Rubber Tubing - 1/2 x 1 1/2	3
19	12031	Bulk Head Clamp - 1 1/2 x 08 JIC	1
20	12035	Bulk Head Clamp - 1 1/2 x 06 JIC	1
21	A45664	Bushing - 1.020 ID x 1.5 OD	1
22	C-1550	Hex Bolt - 3/8 x 4 Lg	2
23	C18761	Safety Chain - 40,000 Lb	1
24	D-5240	Hairpin - #10	2
25	D-5274	Locknut - 1 Unitorque	3
26	D-5489	Washer - 13/32 ID x 13/16 OD x 16 Ga	4
27	D-5498	Washer - 1-1/16 ID x 2 OD x 11 Ga	6
28	H10462	Adjustment Pin - 0.621 Dia x 3 5/8 UL	2
29	H27963	Top Wind Jack - 7000 Lb	1
30	K44704	Oil Line - 3/8 x 129 Lg - 06 FJIC ends	1
31	K44706	Oil Line - 3/4 x 132 Lg - 12 FJIC ends	2
32	K45651	Main Hitch W/Clevis Ball Assy	1
33	K45658	Front Cover	1
34	K45666	Rear Cover	1
35	K45667	Hitch	1
36	K45668	Adjustable Hitch	1
37	K45679	Hose Plate - Rear	1
38	K45680	Hose Plate - Front	1
39	K47771	Bolt - 1 x 11 Lg	3
40	K47787	Hyd Hose - 3/4 x 144 Lg - 1 1/16 - 12 FJIC x 1 1/16 - MJIC	1
41	K47788	Hyd Hose - 3/4 x 155 Lg - 1 1/16 - 12 FJIC x 1 1/16 - 12 MJIC	1
42	K47921	Hyd Hose - 3/8 x 175 Lg - 90 Deg Elbow 9/16 - 18 FJIC x 9/16 - 18 MJIC	1
43	K47922	Hyd Hose - 1/2 x 146 Lg - 90 Deg Elbow 3/4 - 16 FJIC x 3/4 - 16 MJIC	1
44	K47926	Oil Line - 1/2 x 129 Lg	1
45	K47928	Rubber Tube - 2 x 5/8	1
46	K47929	Rubber Tube - 3 x 3/4	2
47	K49088	Loader Stop	1
48	M-3388	Locknut - 3/8 Unitorque	2
49	N15196	Hex Bolt - 5/16 x 4 Lg	2
50	N29479	Hex Bolt - 3/8 x 9 Lg	1
51	N42098	Locknut - 5/16 Nylon Insert	3
52	S-1197	Locknut - 5/8 Unitorque	1
53	S-1199	Washer - 3/8 ID x 7/8 OD x 14 Ga	3
54	W-187	Hex Bolt - 3/8 x 1 1/4 Lg	2
55	W-494	Hex Bolt - 1/2 x 3 3/4 Lg	1
56	11774	Cylinder Pin - 1 x 4 Lg	2
57	N13965	Cotter Pin - 3/16 x 2 1/2 Lg	4

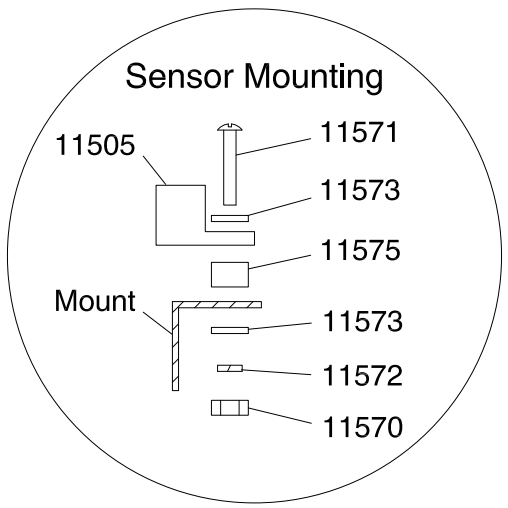
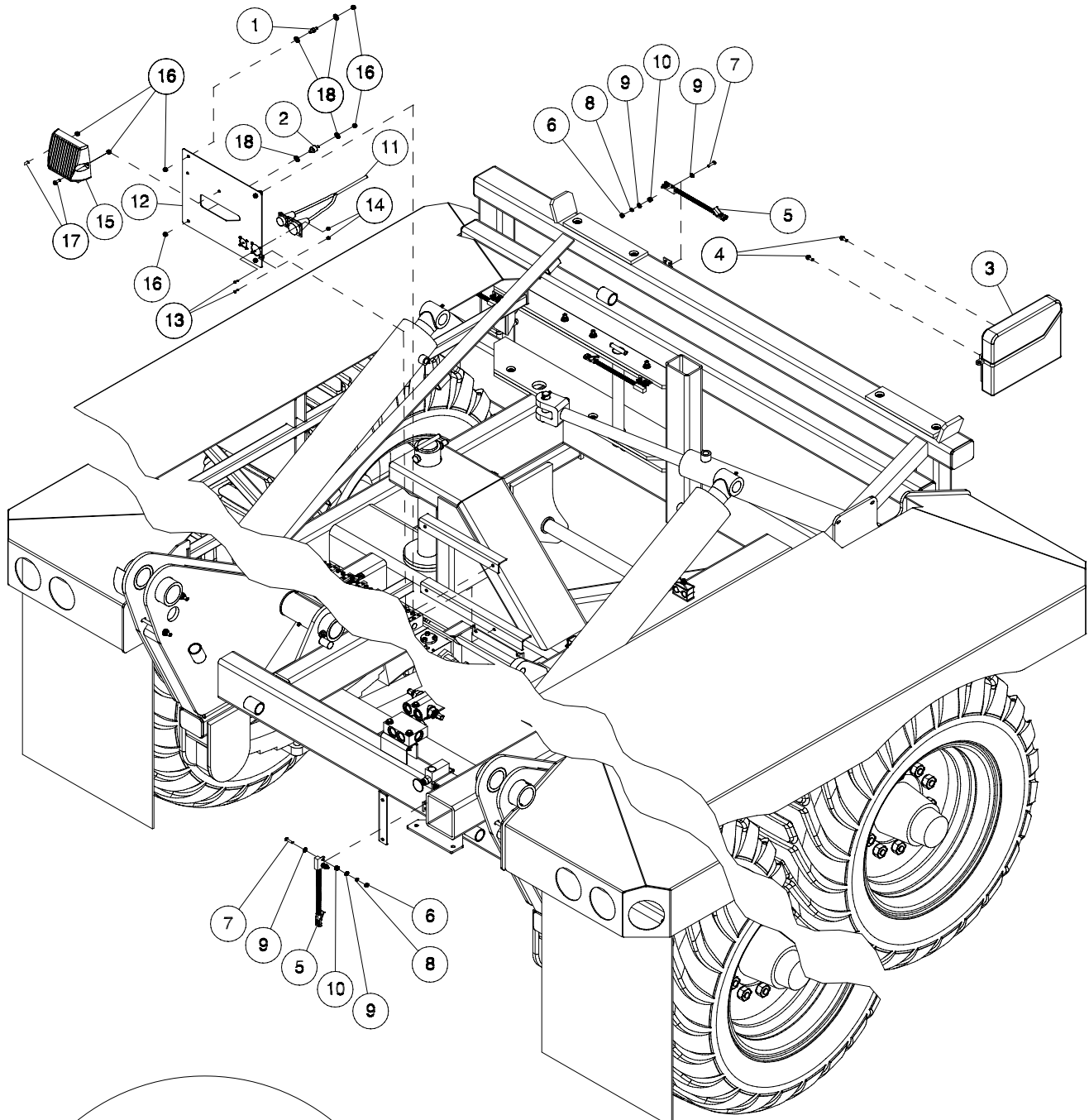
Hydraulic Valves Mounting



Hydraulic Valves Mounting

Item	Part No.	Description	Qty
1	11369	Pressure Relief Valve	1
2	11695	Hawe Valve	1
3	10091	Hex Bolt - 3/8 x 2 1/2 Lg Gr.8.....	2
4	M-3388	Locknut - 3/8 Nylon Insert.....	2
5	D-5272	Locknut - 5/16 Nylon Insert (10231).....	5
6	10646	Hex Bolt - 5/16 x 3 Lg - Gr.8	2
7	10811	Set Screw - 5/16 x 2-1/2 Lg	5
8	10949	Plastic Hose Clamp Assembly - 3/4"	1
9	11360	Load Check.....	1
10	11586	Hex Nut - 10 mm	4
11	11587	Set Screw - 10 mm	4
12	11588	Lockwasher - 10 mm	4
13	11723	Cushion Valve - 200 PSI	1
14	11740	Plastic Hose Clamp Assembly - 13/16".....	4
15	11808	Hex Bolt - 5/16 x 2 Lg - Gr.8	2
16	12441	Pressure Sensor Assembly.....	1
17	D-5489	Washer - 13/32 ID x 13/16 OD.....	20
18	N42098	Locknut - 5/16 Nylon Insert.....	4

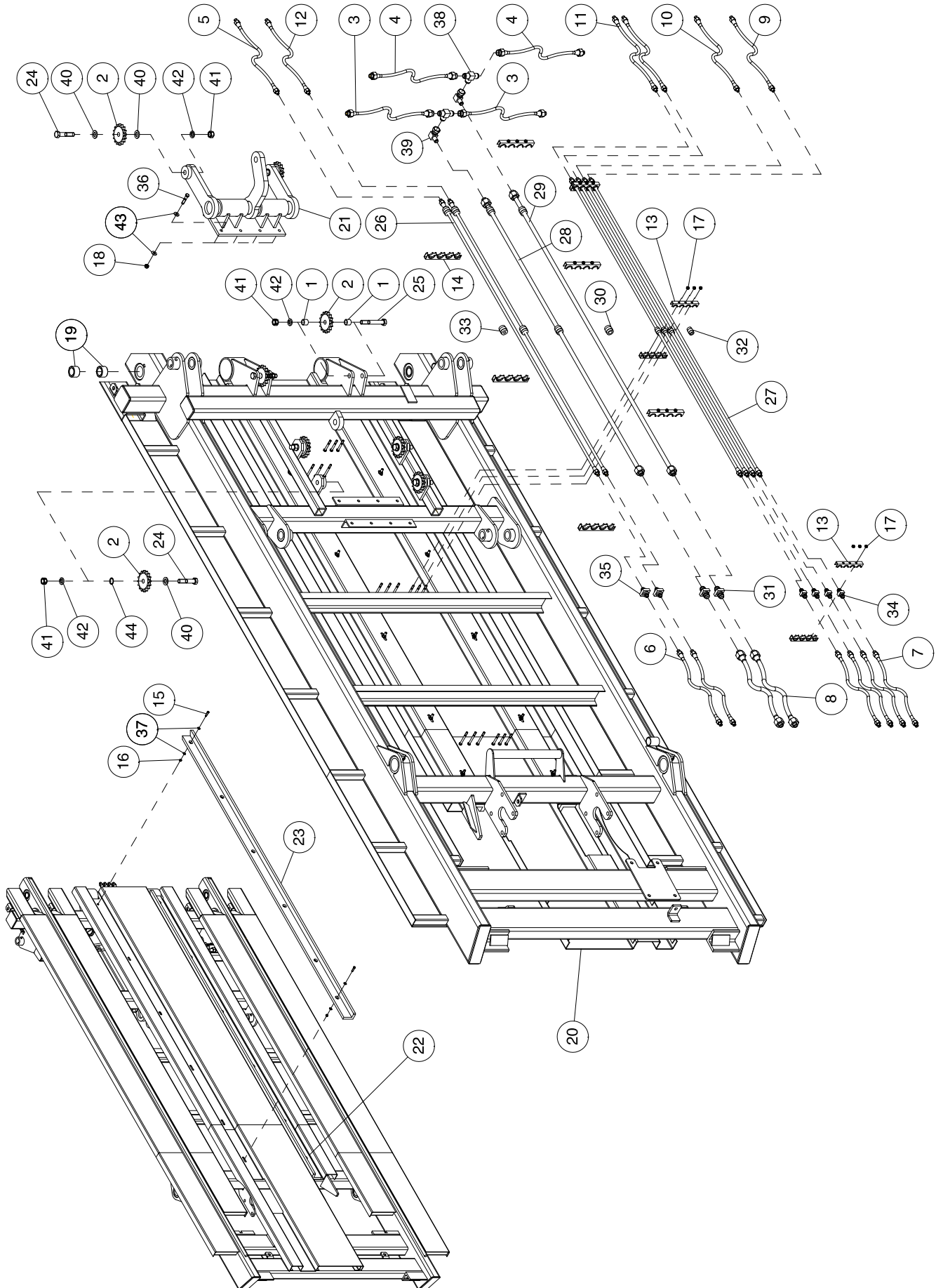
Sensors Mounting



Sensors Mounting

Item	Part No.	Description	Qty
1	11584	Rubber Computer Mount - 1/2"	2
2	11585	Rubber Computer Mount - 3/4"	2
3	10295	Manual Box	1
4	K51552	Screw - 1/4 x 1 1/4 Lg	2
5	11505	Sensor Assembly	4
6	11570	Hex Nut #12 - Brass	8
7	11571	Machine Screw #12 - 24 x 1 Lg - Brass	8
8	11572	Lockwasher #12 - 0.216 ID - Brass	8
9	11573	Flat Washer #12 - 0.25 ID x 0.562 OD - Brass	16
10	11575	Nylon Spacer - 1/4 ID x 1/2 OD x 1/4Lg	8
11	K45406	XA2 Harness	1
12	K45802	Computer Mount	1
13	K47316	Machine Screw #6 - 1/2	8
14	K47317	Locknut #6 - Nylon Insert	8
15	K47328	IQAN Controler	1
16	N22778	Locknut - 1/4 Nylon Insert	10
17	S-1193	Machine Screw - 1/4 x 3/4	2
18	S-1198	Washer - 5/16 ID x 3/4 OD	8
See "Electrical Control Assembly" for Harness			

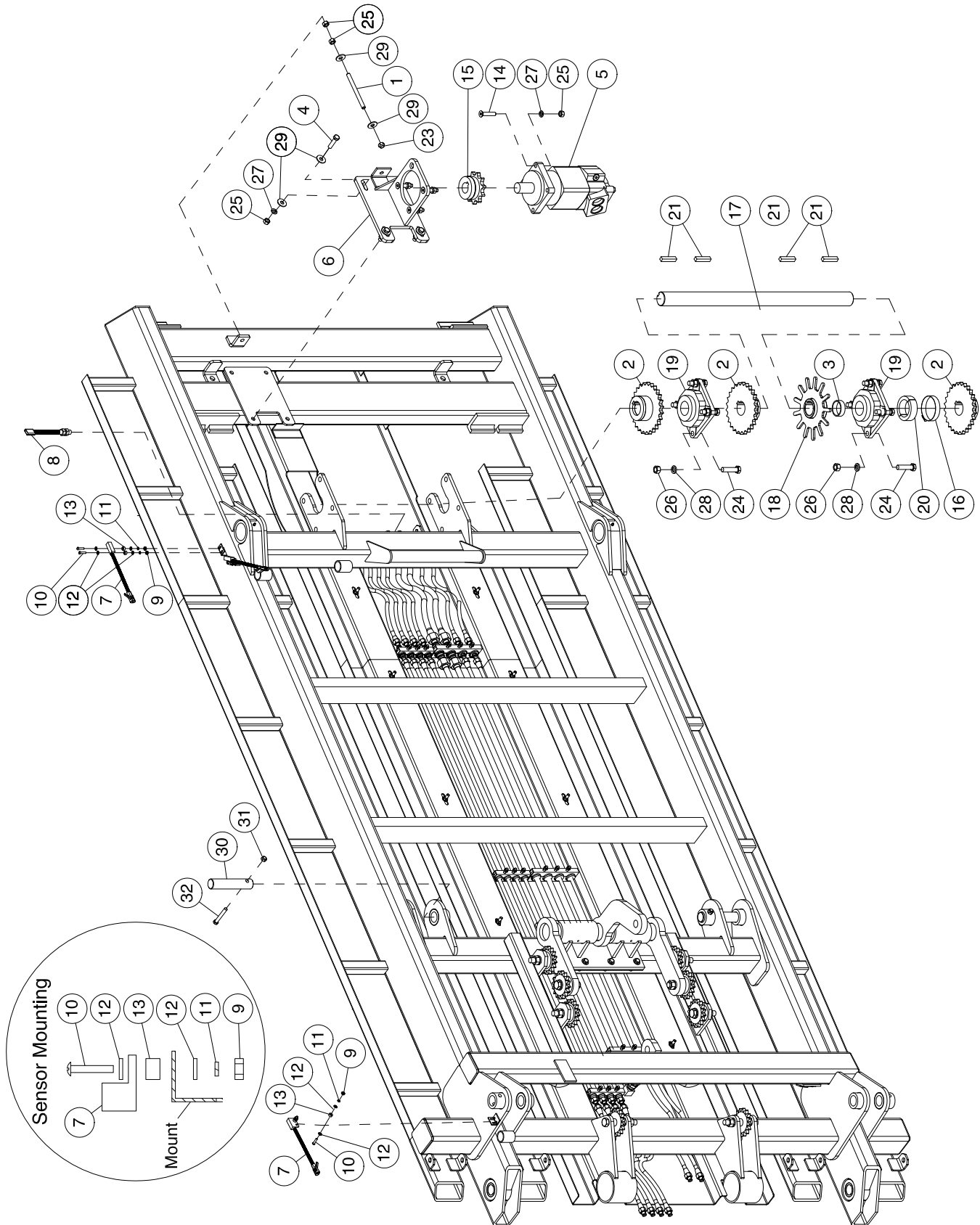
Bed Assembly - Stage 1



Bed Assembly - Stage 1

Item	Part No.	Description	Qty
1	11498	Bed Idler Sprocket.....	4
2	11512	Idler Sprocket.....	8
3	11845	Hydraulic Hose - 1/2 x 69 Lg	2
4	11846	Hydraulic Hose - 1/2 x 63 Lg.....	2
5	11847	Hyd Hose - 1/2" x 34" Lg - 08 MJIC x 08 FJIC swivel end - Tensioner Return.....	1
6	11851	Hyd Hose - 1/2 x 75 Lg - 08 FJIC	2
7	11855	Hydraulic Hose - 1/2 x 52 Lg.....	4
8	11864	Hydraulic Hose - 3/4 x 38 Lg.....	2
9	11872	Hydraulic Hose - 1/2 x 139 Lg.....	1
10	11873	Hydraulic Hose - 1/2 x 99 Lg.....	1
11	11874	Hydraulic Hose - 1/2 x 80 Lg.....	2
12	11886	Hydraulic Hose - 1/2 x 25 Lg.....	1
13	12029	Clamp - 1 1/2 - 4 Hole - 3 Bolt	3
14	12030	Clamp - 2 - 4 Hole - 3 Bolt	3
15	10075	Cap Screw - 3/8 x 1 1/2 Lg	12
16	M-3388	Locknut - 3/8 Nylon Insert (10229).....	12
17	D-5272	Locknut - 5/16 Nylon Insert (10231).....	18
18	S32944	Locknut - 7/16 Unitorque (10302)	8
19	10936	Bushing - Loader Pivot.....	4
20	11282	Bed.....	1
21	11342	Chain Tensioner	1
22	11531	Bed Slider Plastic - Right	1
23	11532	Bed Slider Plastic - Left.....	1
24	11576	Hex Bolt - 3/4 x 3 1/2 Lg - Gr. 8.....	6
25	11579	Hex Bolt - 3/4 x 5 Lg - Gr.8	2
26	11875	Oil Line - 1/2 x 74.....	2
27	11876	Oil Line - 1/2 x 80.....	4
28	11879	Oil Line - 3/4 x 74.....	1
29	11880	Oil Line - 3/4 x 76.....	1
30	12024	Rubber Tube - 2 x 3/4.....	4
31	12025	Bulk Head Clamp - 2.....	2
32	12026	Rubber Tube - 1 1/2 x 1/2.....	8
33	12028	Rubber Tube - 2 x 1/2.....	4
34	12031	Bulk Head Clamp - 1 1/2.....	4
35	12033	Bulk Head Clamp - 1 1/2 - 4 Hole - 3 Bolt.....	2
36	12038	Hex Bolt - 7/16 x 2 Lg - Gr. 8.....	8
37	D-5489	Washer - 13/32 ID x 13/16 OD.....	24
38	N19549	Tee - 12 MJIC.....	2
39	N21189	Swivel Elbow	2
40	W-476	Flat Washer - 3/4.....	8
41	W-518	Hex Nut - 3/4.....	8
42	W-527	Lockwasher - 3/4.....	8
43	W-538	Washer - 7/16 ID x 1 OD.....	16
44	C33958	Retaining Ring - 3/4	4

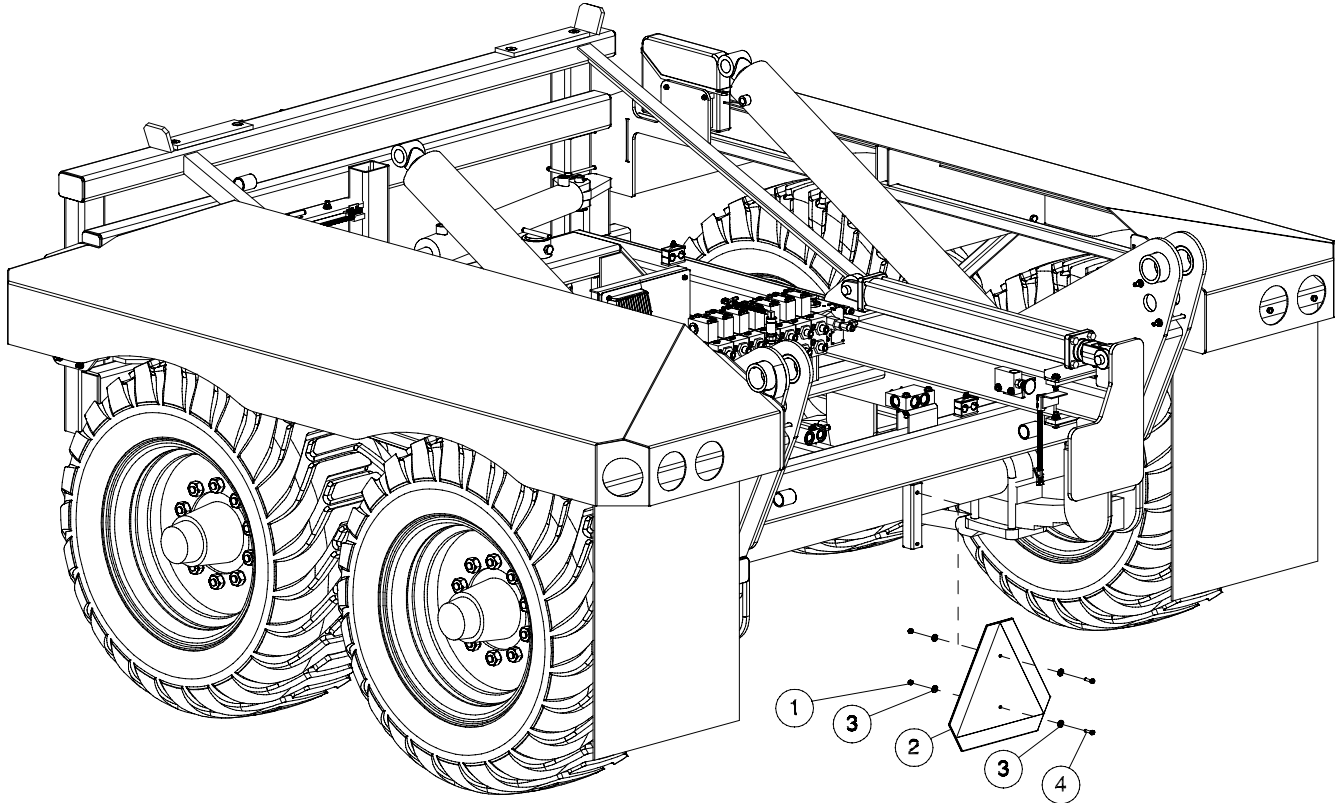
Bed Assembly - Stage 2



Bed Assembly - Stage 2

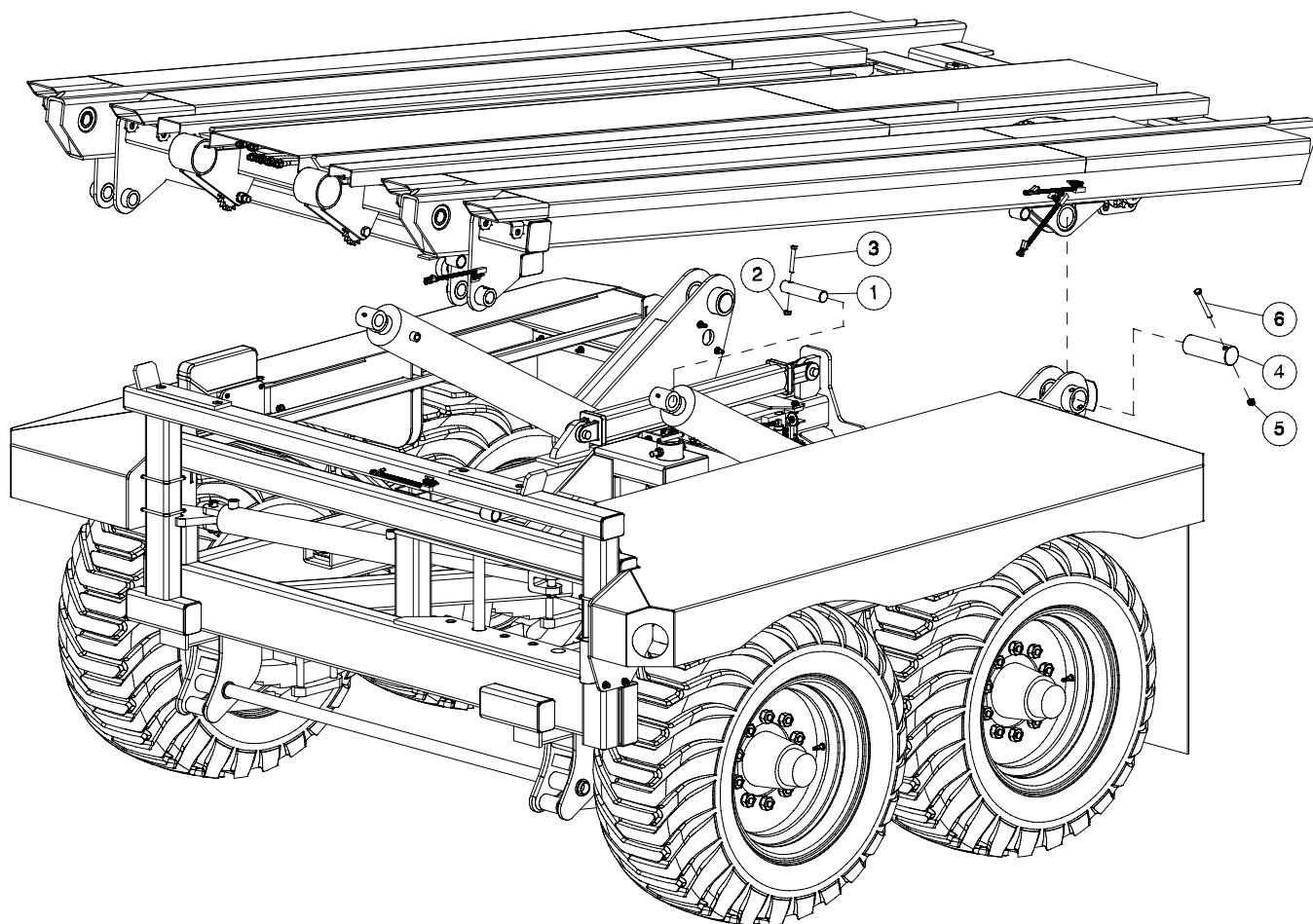
Item	Part No.	Description	Qty
1	11592	Rod - 1/2 x 6 1/4 Full Thread	1
2	12236	Sprocket - 26 Tooth	3
3	12243	Spacer - 11/16 x 2	1
4	10604	Hex Bolt - 1/2 x 2 Lg	4
5	11409	Hydraulic Motor - Char-Laynn 6000 Series.....	1
6	11414	Bracket - Motor Mount.....	1
7	11505	Sensor Assembly	3
8	11558	RPM Sensor.....	1
9	11570	Hex Nut - #12 - Brass.....	6
10	11571	Machine Screw #12 - 24 x 1 Lg - Brass	6
11	11572	Lockwasher #12 - 0.216 ID - Brass.....	6
12	11573	Flat Washer #12 - 0.25 ID x 0.562 OD - Brass.....	12
13	11575	Spacer - 1/4 ID x 1/2 OD x 1/4 Lg Nylon.....	6
14	11582	Allen Screw - 1/2 x 2 1/2	4
15	11734	Sprocket Browning Taper Lock - 11 Tooth (H80P11)	1
	12050	Browning Sleeve - (P1 X 1 1/2).....	1
16	12053	Ring Clamp - 2-9/16 - 3-1/2 Dia	1
17	12211	Keyed Shaft - 2 Dia x 33 Lg	1
18	12214	Counter Wheel Weldment	1
19	12237	Flange Bearing - 4 Bolt	2
20	12242	Spacer Shaft - 3 1/2 Dia.....	1
21	12254	Key - 1/2 Sq. x 2 1/2 Lg.....	4
22	*****		
23	F-3405	Locknut - 1/2 Unitorque.....	1
24	S31736	Hex Bolt - 5/8 x 2-1/2 Lg	8
25	W-516	Hex Nut - 1/2	10
26	W-517	Hex Nut - 5/8.....	8
27	W-525	Lockwasher - 1/2.....	8
28	W-526	Lockwasher - 5/8.....	8
29	W-539	Flatwasher - 1/2	10
30	10256	Pin - 1-7/16 Dia	2
31	S32944	Locknut - 7/16 Unitorque (10302)	2
32	10847	Hex Bolt - 7/16 x 3 Lg Gr8	2

Slow Moving Vehicle Sign



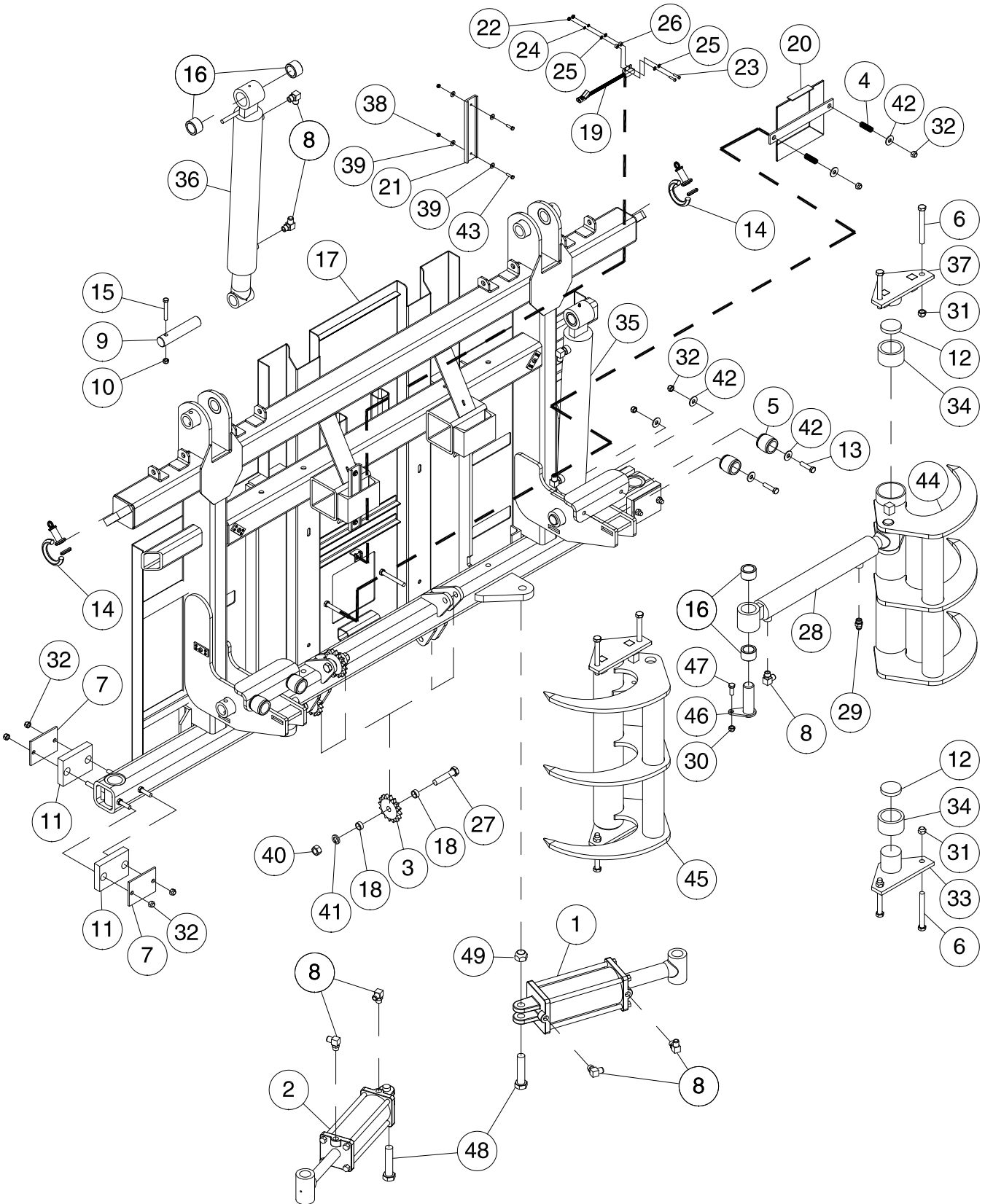
Item	Part No.	Description	Qty
1	N22778	Locknut - 1/4 Nylon Insert.....	2
2	N34475	Slow Moving Vehicle Emblem	1
3	S-1198	Washer - 5/16 ID x 3/4 OD.....	4
4	W-1552	Hex Bolt - 1/4 X 1 Lg.....	2

Bed Attachment



Item	Part No.	Description	Qty
1	10256	Pin - 1 7/16 Dia	2
2	S32944	Locknut - 7/16 Unitorque (10302)	2
3	10847	Hex Bolt - 7/16 X 3 Lg	2
4	11115	Pin - 2 7/16 Dia	2
5	C26701	Locknut - 1/2 Nylon Insert	2
6	K25798	Hex Bolt - 1/2 X 4	2

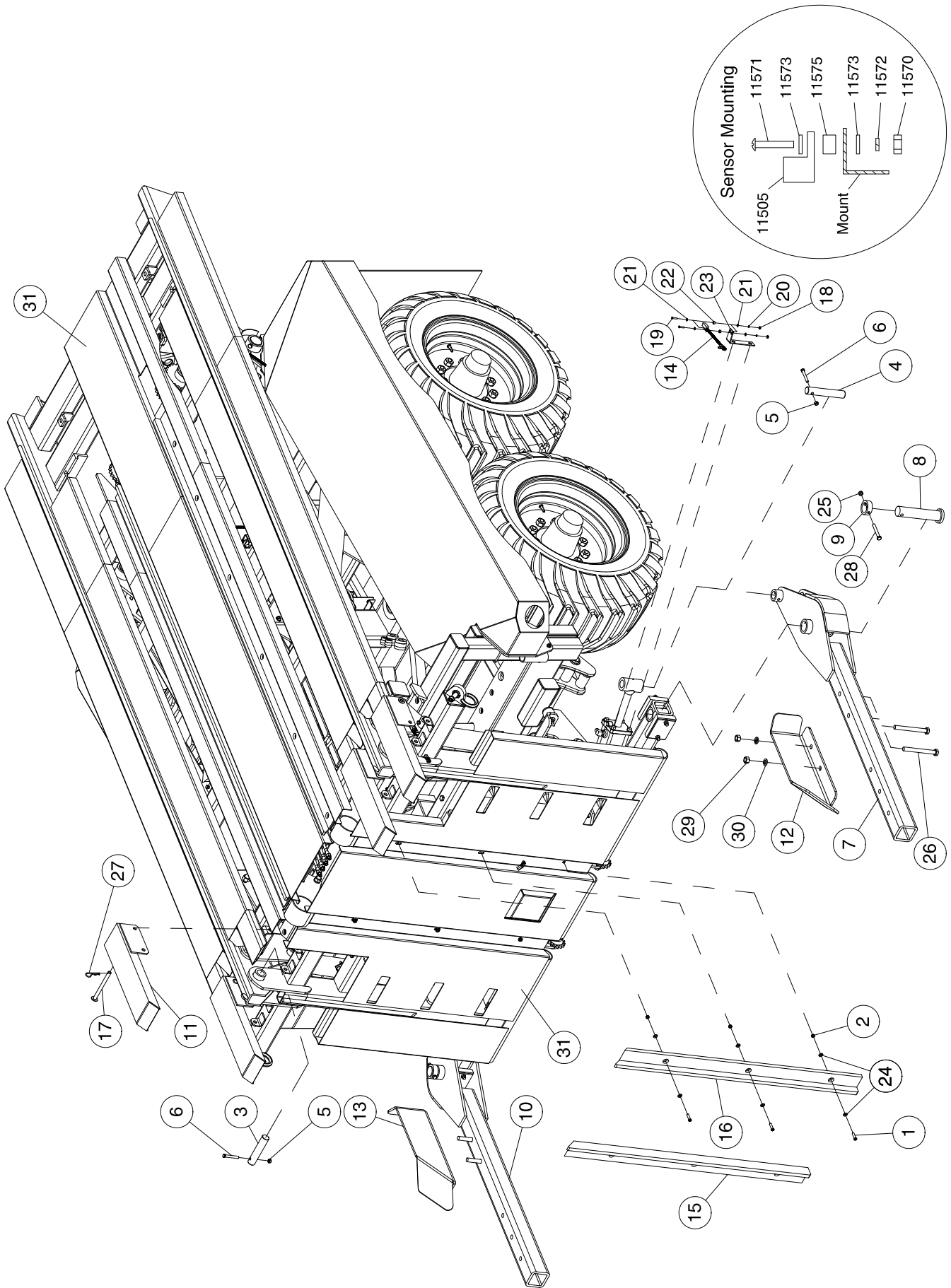
Loader Assembly



Loader Assembly

Item	Part No.	Description	Qty
1	10439	Hydraulic Cylinder - 4 1/2 x 8 Stroke.....	1
2	10440	Hydraulic Cylinder - 4 x 8 Stroke.....	1
3	11512	Idler Sprocket.....	4
4	11574	Bale On Spring.....	2
5	11678	Frame Bumper.....	4
6	10065	Hex Bolt - 5/8 x 5-1/2.....	8
7	10104	Plate - Alignment Slider.....	4
8	10180	90 Deg Elbow - JIC To ORB.....	9
9	10256	Loader Pin - 1 7/16 Dia.....	2
10	S32944	Locknut - 7/16 Unitorque (10302).....	2
11	10351	Slider - 1 Thick.....	4
12	10355	Grab Hook Thrust Bearing - 1/2 Dia.....	4
13	10604	Hex Bolt - 1/2 x 2 Lg.....	4
14	10827	Shackle Pin - 3/4.....	2
15	10847	Hex Bolt - 7/16 x 3 Lg Gr8.....	2
16	10936	Bushing - Loader Pivot.....	8
17	11309	Loader.....	1
18	11497	Loader Idler Spacer - 3/4 Sbp Sch:40.....	8
19	11505	Sensor Assembly.....	1
20	11527	Bale On Weldment.....	1
21	11541	Upper Chain Plastic - White Polyethylene.....	2
22	11570	Hex Nut - #12 - Brass.....	2
23	11571	Machine Screw - #12-24 x 1 Lg - Brass.....	2
24	11572	Lockwasher - #12 - 0.216 ID - Brass.....	2
25	11573	Flat Washer - #12 - 0.25 ID x 0.562 Brass.....	4
26	11575	Spacer - 1/4 ID x 1/2 OD x 1/4 Lg Nylon.....	2
27	11576	Hex Bolt - 3/4 x 3 1/2 Lg - Gr. 8.....	4
28	12166	Hydraulic Cylinder - 2 1/2 x 16 Stroke.....	1
29	10178	Male Connector - 3/4 - 16 MORB x 3/4 - 16 MJIC.....	1
30	C26701	Locknut - 1/2 Nylon Insert.....	2
31	C17295	Locknut - 5/8 Nylon Insert.....	8
32	F-3405	Locknut - 1/2 Unitorque.....	14
33	K42394	Grab Hook Pivot - Lower.....	2
34	K42396	Grab Hook Bushing - 3 1/2 Dia.....	4
35	K44042	Hydraulic Cylinder - 3 1/2 x 19 9/16 Stroke.....	1
36	K44046	Cylinder, Loader - 3 1/2 x 19 9/16 Stroke - Left.....	1
37	K47014	Grab Hook Pivot - Upper.....	2
38	N22778	Locknut - 1/4 Nylon Insert.....	4
39	S-1198	Washer - 5/16 ID x 3/4 OD x 1/16 Thick.....	8
40	W-518	Hex Nut - 3/4.....	4
41	W-527	Lockwasher - 3/4.....	4
42	W-539	Flatwasher - 1/2.....	10
43	W-1552	Hex Bolt - 1/4 x 1 Lg.....	4
44	K45433	Grab Hook.....	1
45	K45434	Grab Hook.....	1
46	K45445	Grab Hook Pin.....	2
47	W-485	Hex Bolt - 1/2 x 1 1/4 Lg.....	2
48	C12609	Hex Bolt - 1 X 4 1/2 Lg.....	2
49	D-5274	Locknut - 1 Unitorque.....	2

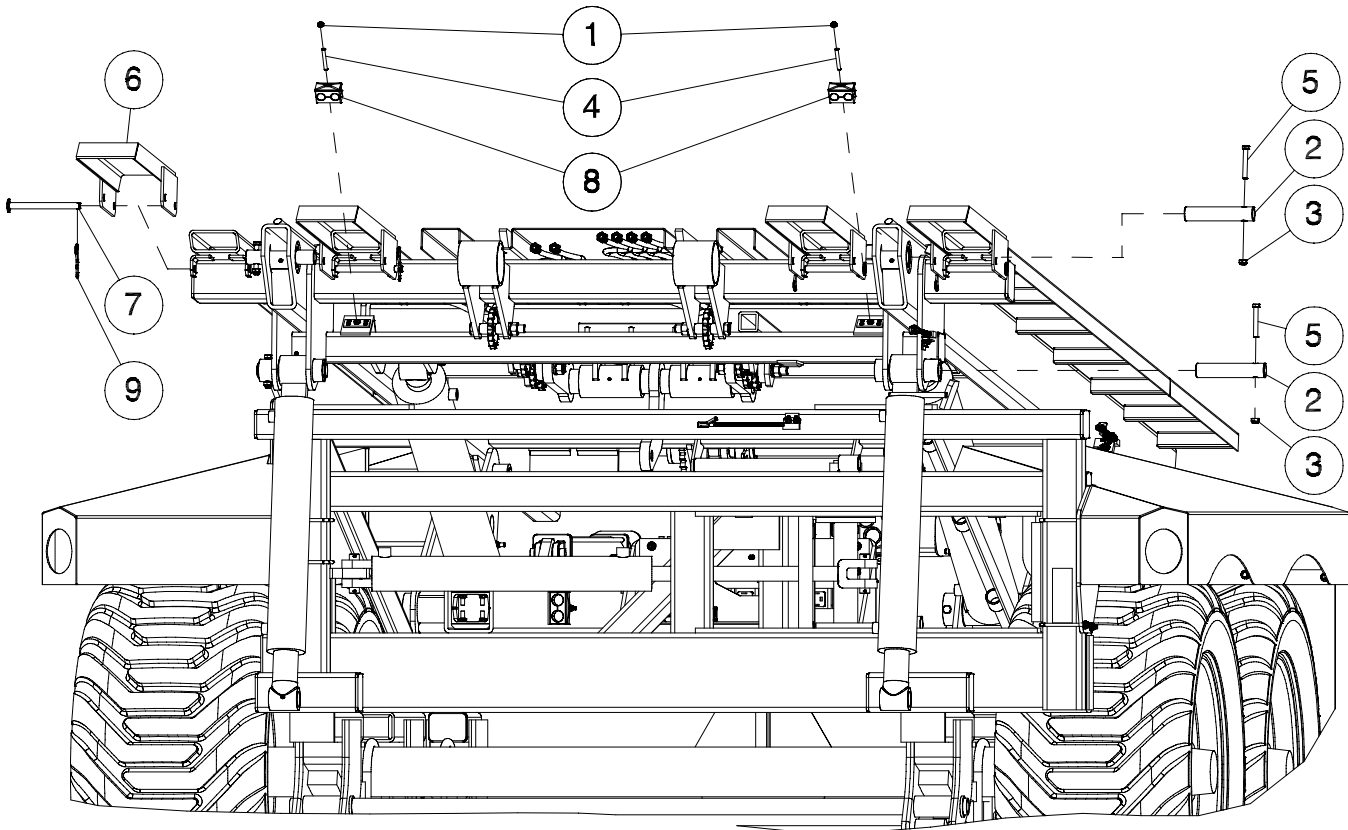
Loader Arm Assembly



Loader Arm Assembly

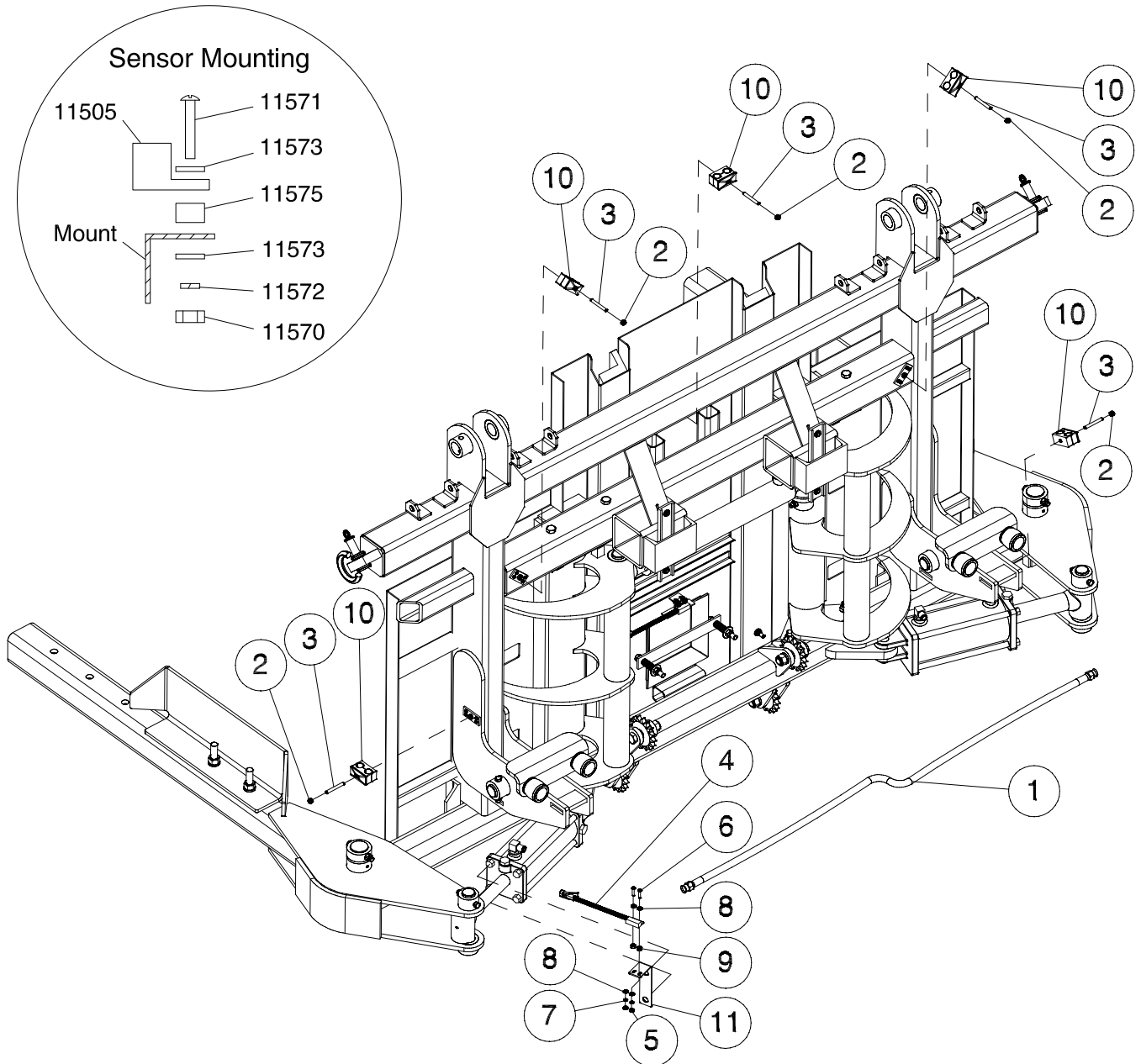
Item	Part No.	Description	Qty
1	10075	Hex Cap Screw - 3/8 x 1-1/2 Lg	6
2	M-3388	Locknut - 3/8 Nylon Insert (10229).....	6
3	10256	Loader Pin - 1 7/16 Dia	4
4	10257	Pin - 1-7/16 Dia	2
5	S32944	Locknut - 7/16 Unitorque (10302)	6
6	10847	Hex Bolt - 7/16 x 3 Lg Gr8	6
7	11324	Alignment Arm Stub - Left.....	1
8	11328	Pin - Alingment Arm - 1-15/16 x 8-7/32 UL.....	2
9	11331	Pin Collar	2
10	11332	Alignment Arm Stub - Right	1
11	11333	Bed Extension.....	4
12	K47304	Left Arm Add On	1
13	K47304	Right Arm Add On.....	1
14	11505	Ferro Sensor Assembly.....	1
15	11533	Loader Slider Plastic - Right	1
16	11534	Loader Slider Plastic - Left.....	1
17	11543	Bed Extension Pin - 5/8 Dia x 6 59/64 Lg	4
18	11570	Hex Nut - #12 - Brass.....	2
19	11571	Machine Screw #12 x 1 Lg - Brass	2
20	11572	Lockwasher - #12 - Brass	2
21	11573	Flat Washer - #12 - 1/4 ID x 9/16 OD - Brass	4
22	11575	Spacer - 1/4 ID x 1/2 OD x 1/4Lg Nylon.....	2
23	12461	Sensor Bracket.....	1
24	D-5489	Washer - 13/32 ID x 13/16 OD x 16 Ga	12
25	F-3405	Locknut - 1/2 Unitorque.....	2
26	S32590	Hex Bolt - 3/4 x 7 Gr8	4
27	W-131	Hairpin - 5/32	4
28	W-493	Hex Bolt - 1/2 x 3 1/2 Lg	2
29	W-518	Hex Nut - 3/4.....	4
30	W-527	Lockwasher - 3/4.....	4
31	10248	Slip Coat - Gallon.....	0.4

Hose Clamp Locations - Stage 1



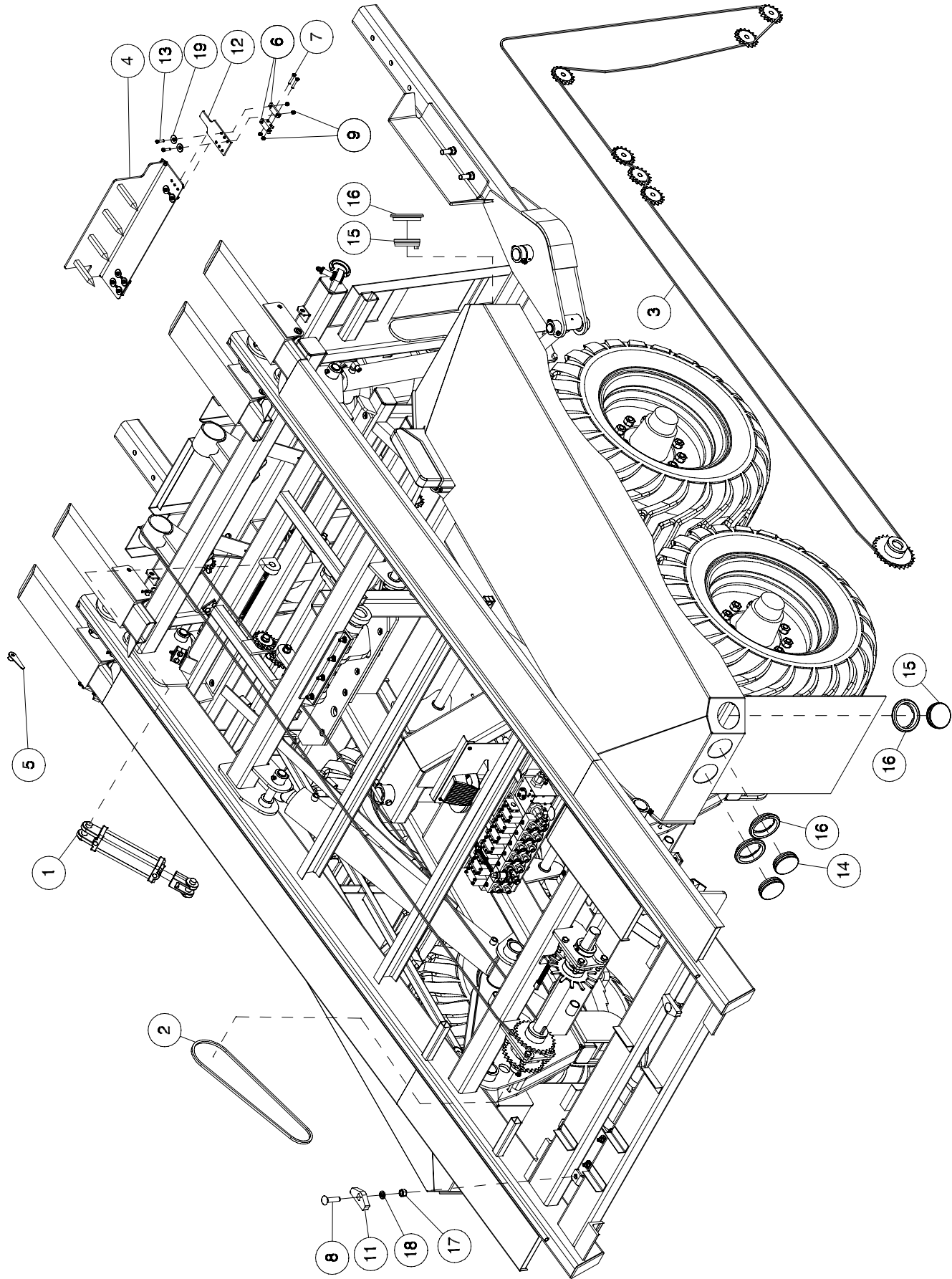
Item	Part No.	Description	Qty
1	D-5272	Locknut - 5/16 Nylon Insert (10231).....	2
2	10256	Loader Pin - 1 7/16 Dia.....	4
3	S32944	Locknut - 7/16 Unitorque (10302)	4
4	10811	Set Screw - 5/16 x 2-1/2 Lg	2
5	10847	Hex Bolt - 7/16 x 3 Lg Gr8	4
6	11333	Bed Extension.....	4
7	11543	Bed Extension Pin - 5/8 Dia x 6 59/64 Lg	4
8	11740	Plastic Hose Clamp Assembly	2
9	W-131	Hairpin - 5/32	4

Hose Clamp Locations - Stage 2



Item	Part No.	Description	Qty
1	11871	Hyd Hose - 1/2 x 139	1
2	D-5272	Locknut - 5/16 Nylon Insert (10231).....	5
3	10811	Set Screw - 5/16 x 2-1/2 Lg	5
4	11505	Sensor Assembly	1
5	11570	Hex Nut - #12 - Brass.....	2
6	11571	Machine Screw #12 x 1 Lg - Brass	2
7	11572	Lockwasher - #12 x 0.216 ID - Brass.....	2
8	11573	#12 Flat Washer - #12 - 0.25 ID x 0.562 OD Brass.....	4
9	11575	Spacer - 1/4 ID x 1/2 OD x 1/4Lg Nylon.....	2
10	11740	Plastic Hose Clamp Assembly	5
11	12461	Sensor Bracket.....	1

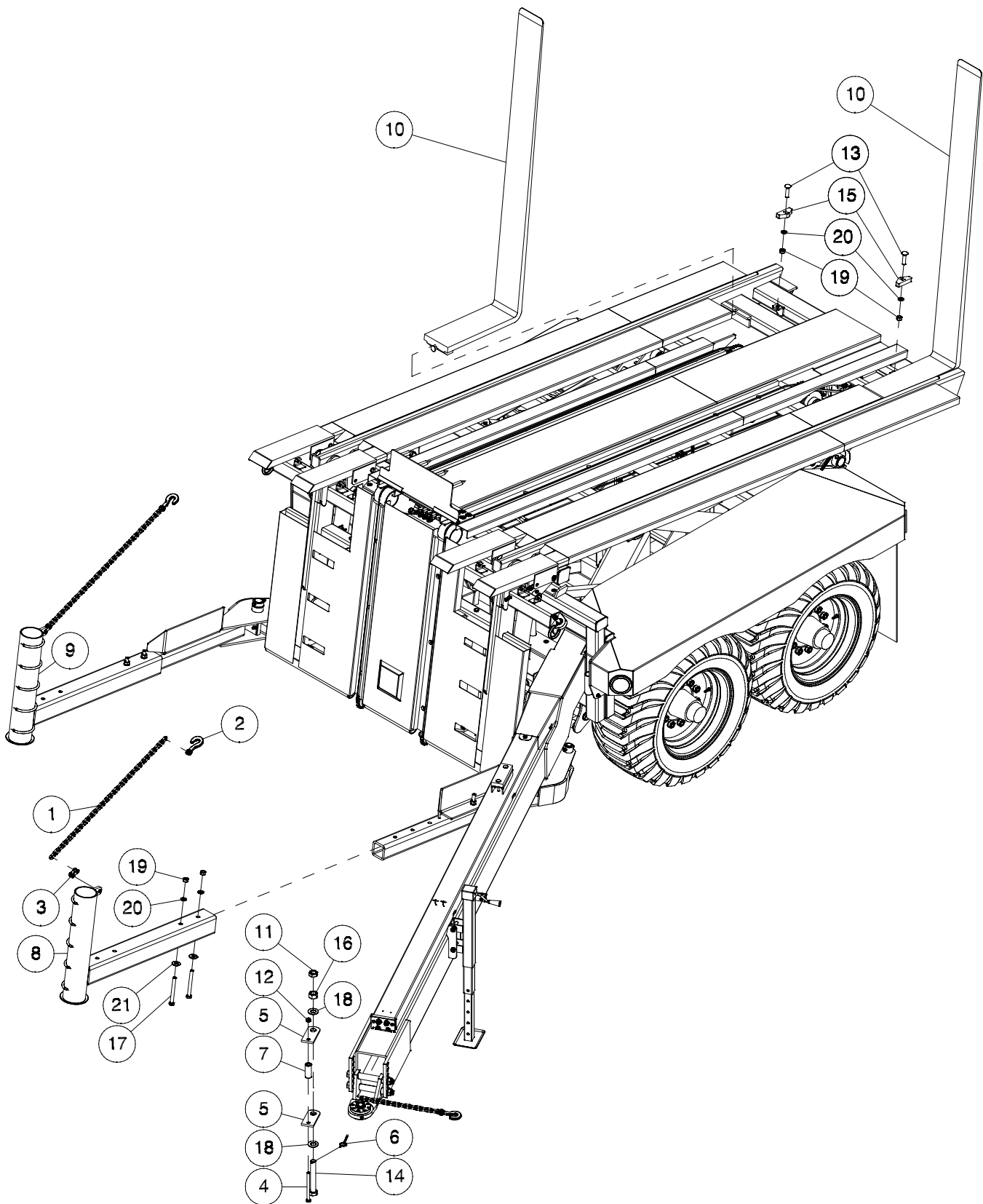
Drive Chain Assembly



Drive Chain Assembly

Item	Part No.	Description	Qty
1	12167	Hydraulic Cylinder - 2 x 8 Stroke.....	1
2	12238	Roller Chain - #80 57P	1
3	12240	Roller Chain - #80H 383P	2
4	11751	Slider Foot Weldment.....	1
5	12008	Sensor Target.....	1
6	34986	Chain Bracket.....	4
7	44006	Chain Link Bolt.....	4
8	C33957	Carriage Bolt - 3/4 x 3 Lg.....	2
9	D-5272	Locknut - 5/16 Unitorque.....	12
10	K45448	Hitch Bolt.....	1
11	K45683	Fork Retainer Block.....	2
12	K47015	Slider Spacer	2
13	K47017	Hex Bolt - 5/16 x 1 1/4 Lg	8
14	K48395	4" Red Led Lamp	4
15	K48396	4" Amber Led Lamp	4
16	K48397	Rubber Gromet	8
17	W-518	Hex Nut - 3/4.....	2
18	W-527	Lockwasher - 3/4.....	2
19	W-539	Flatwasher - 1/2	8

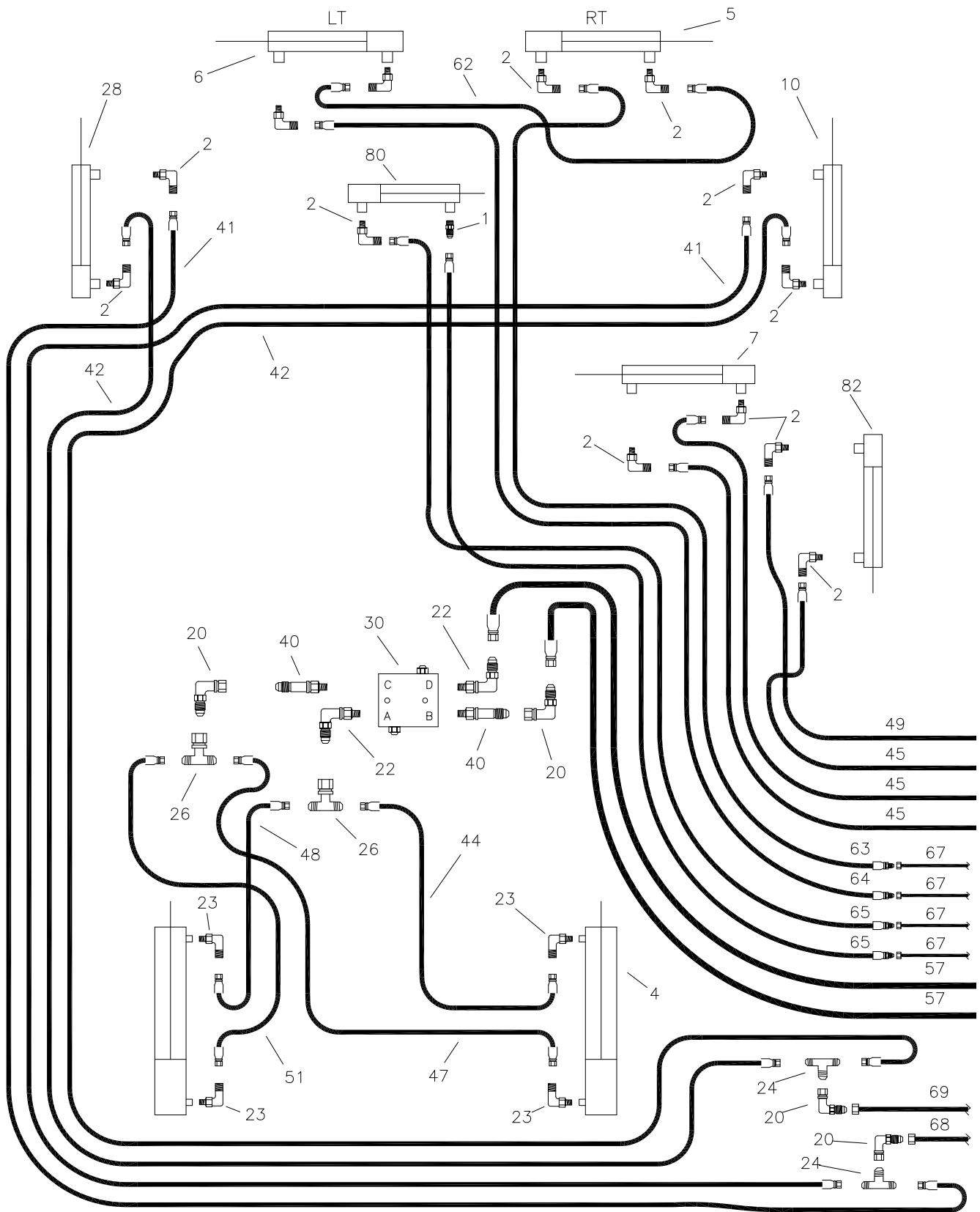
Final Assembly



Final Assembly

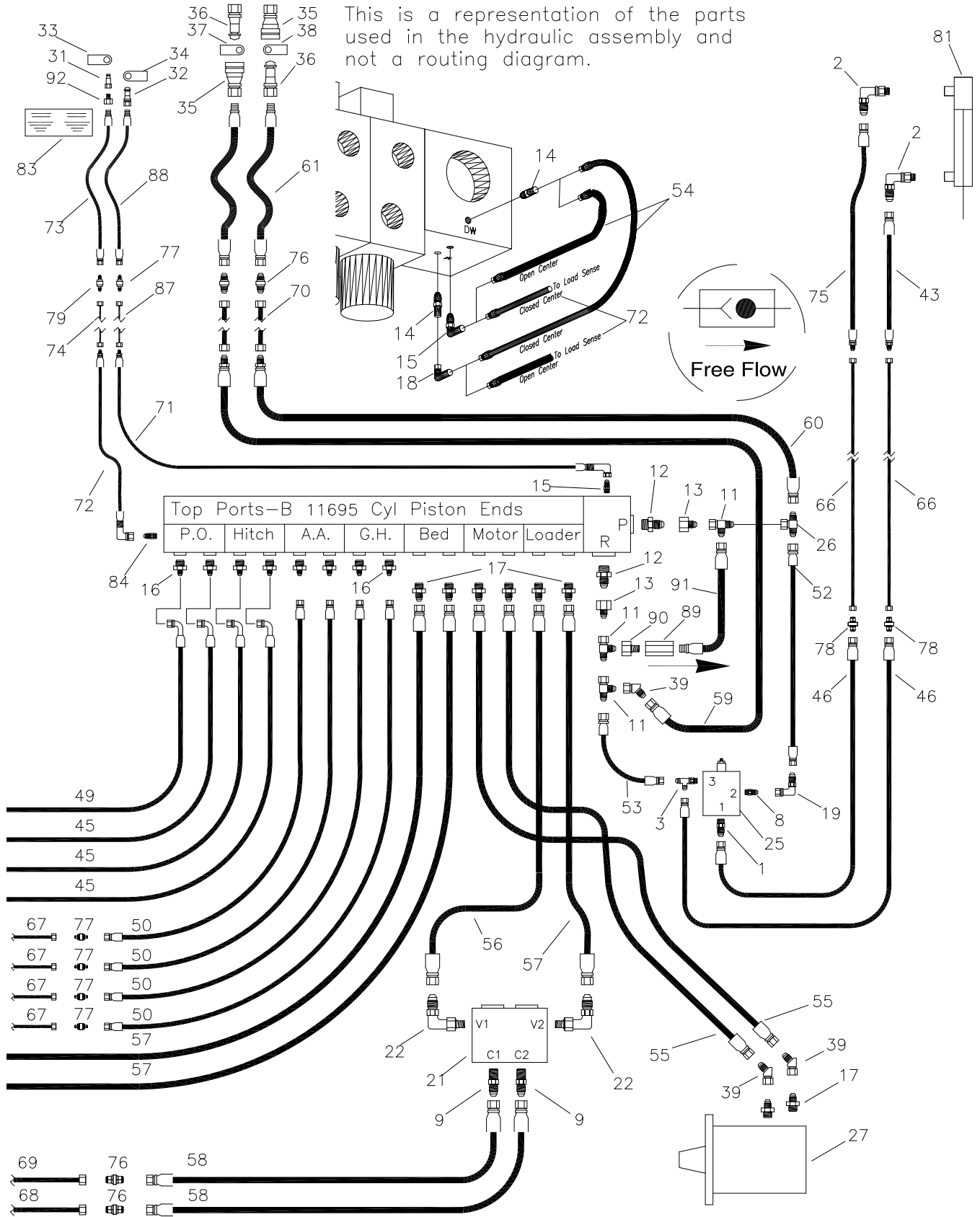
Item	Part No.	Description	Qty
1	10369	Chain - 3/8 x 8Ft Lg	2
2	10662	Grab Hook - 3/8 Chain	2
3	10677	Twin Clevis	2
4	10066	Hex Bolt - 5/8 x 8 Lg Gr8	1
5	10142	Draw Bar Hitch Plate.....	2
6	10247	Klik Pin - W/Chain+Cotter - 1/4 x 1 3/4 Lg	1
7	10313	Spacer Bushing - 1 1/2 OD x .375W.....	1
8	11310	Alignment Arm End - Lt.....	1
9	11319	Alignment Arm End - Rt.....	1
10	11724	Forklift Tooth - 8 x 84	2
11	C15768	Hex Jam Nut - 1 1/4	1
12	C17295	Locknut - 5/8 Nylon Insert.....	1
13	C33957	Carriage Bolt - 3/4 x 3 Lg.....	2
14	K45448	Hitch Bolt.....	1
15	K45683	Fork Retainer Block.....	2
16	P61D20	Hex Nut - 1 1/4.....	1
17	S32590	Hex Bolt - 3/4 x 7 Gr8	4
18	S34182	Washer - 1 9/32 ID x 2 1/2 OD.....	2
19	W-518	Hex Nut - 3/4.....	6
20	W-527	Lockwasher - 3/4.....	6
21	W-541	Washer - 2 OD x .813 ID.....	4

Hydraulic Assembly



Hydraulic Assembly

NOTE:
This is a representation of the parts used in the hydraulic assembly and not a routing diagram.



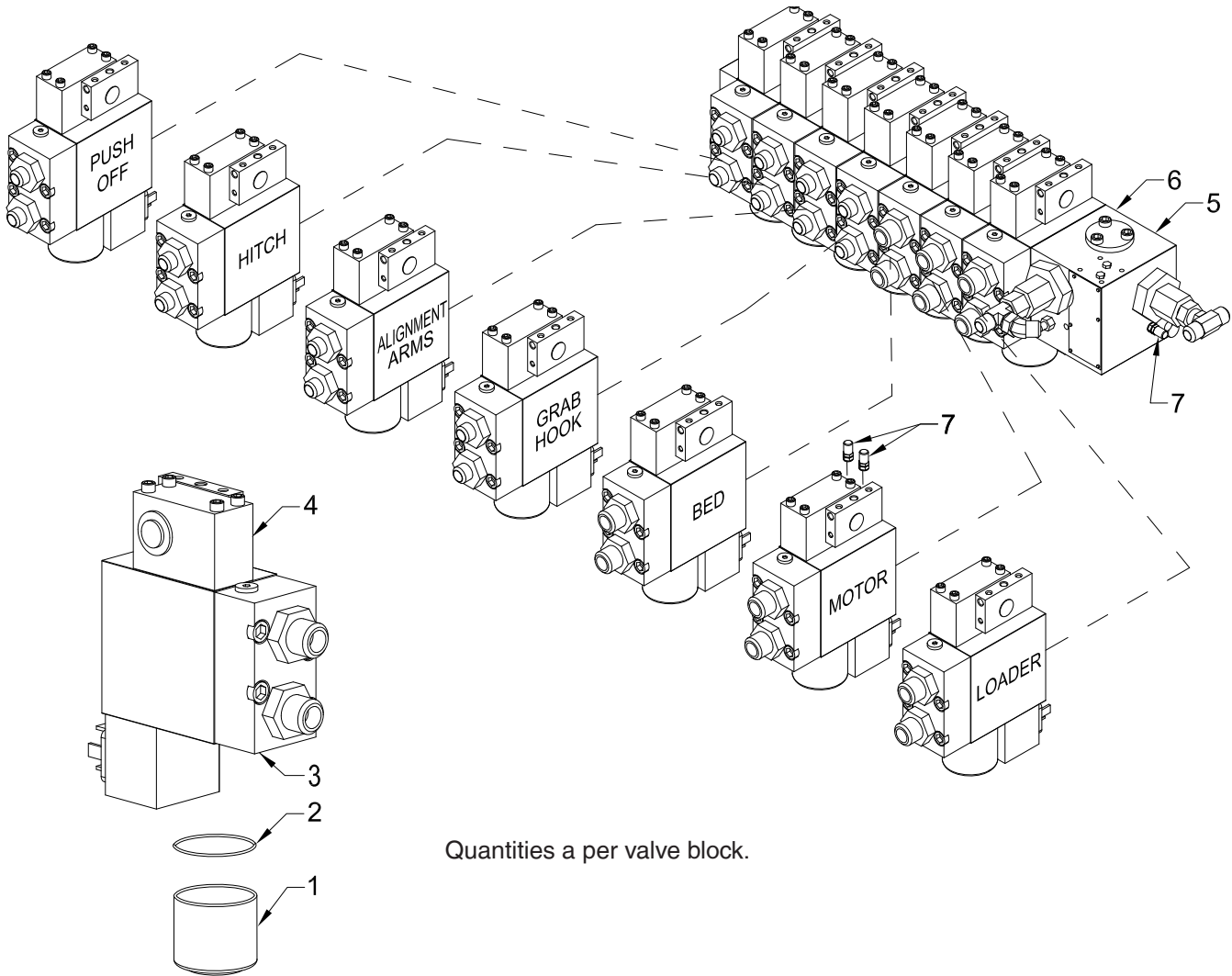
Hydraulic Assembly

Item	Part No.	Description	Qty
1	10178	Fitting Straight - 08 MORB x 08 MJIC.....	2
2	10180	Fitting 90 Elbow - 08 MORB x 08 MJIC	15
3	10187	Fitting-O-Ring Run Tee - 08 MJIC x 08 MJIC x 08 MORB	1
4	10436	Bed Cylinder - 5 x 36 x 2 1/2 Dia shaft - 12 ORB (AW-0024)	2
5	10439	RT AA Cylinder - 4 1/2 x 8 x 2 Dia shaft - 08 ORB (AW-0027)	1
6	10440	LT AA Cylinder - 4 x 8 x 1 3/8 Dia shaft - 08 ORB (AW-0028)	1
7	10449	Hitch Cylinder - 3 1/2 x 18 x 1 3/4 Dia shaft - 08 ORB (AU-0478)	1
8	10854	Inline Fitting Check Valve	1
9	10935	Fitting - Straight - 12 MORB x 12 MJIC	2
10	K44042	Right Loader Cylinder - 3 1/2 x 19 9/16 - 08 ORB (BJ-0071)	1
11	N29356	Fitting - Swivel Nut Run Tee - #12 JIC (11348)	3
12	11350	Fitting - Straight - 20 ORB x 16 JIC	2
13	11351	Fitting - Reducer - 16 JIC x 12 JIC.....	2
14	11353	Fitting - Straight - 04 MORB x #4 MJIC	2
15	K47925	Adaptor - Straight - 04 ORB x 08 JIC.....	1
16	11355	Fitting - Straight - 16 MORB x 08 MJIC	8
17	11356	Fitting - Straight - 16 MORB x 12 MJIC	8
18	11357	Fitting - 90 Elbow - #4 FJIC x #4 JIC	2
19	11358	Fitting - 90 Elbow - 08 FJIC x 08 MJIC	1
20	11359	Fitting - 90 Elbow - 12 FJIC x 12 MJIC	4
21	11360	Load Check.....	1
22	11365	Fitting - 90 Elbow - 12 MORB x 12 MJIC	4
23	11366	Fitting - 90 Elbow - 12 MORB x 08 MJIC	4
24	11368	Fitting - Union Tee - 12 MJIC	2
25	11369	16K Pressure Reducing Relief Valve	1
26	11405	Fitting Swivel Nut Branch Tee - 12 MJIC x 12 FJIC x 12 MJIC	3
27	11409	16K Motor	1
	12285	16K Motor Body Seal Kit	
	12286	16K Motor Shaft Seal Kit	
28	K44046	Left Loader Cylinder - 3 1/2 x 19 9/16 - 08 ORB.....	1
29	11695	16K HAWE Valve 02	1
30	11723	Cushion Valve - 2000 PSI	1
31	K50834	Flat Face Coupler - 3/8 x 08 FORB.....	1
32	N34498	Male Coupler - 1/2 x 10 FORB.....	2
33	K48292	Hose Tag - Case Drain.....	1
34	K48293	Hose Tag - Load Sense.....	1
35	N37915	Female Quick Coupler - 3/4 x 12 FORB	2
36	N37914	Male Coupler - 3/4 x 12 FORB.....	2
37	K48291	Hose Tag - Return.....	1
38	K48296	Hose Tag - Pressure	1
39	11811	Fitting - 45 Elbow - 12 FJIC x 12 MJIC	3
40	11812	Fitting - Straight - 12 MORB x 12 FJIC	2
41	11845	Hydraulic Hose - 1/2 x 69 Lg - 08 FJIC x 12 FJIC swivel ends - LDR LB, LR, RB.....	2
42	11846	Hydraulic Hose - 1/2 x 63 Lg - 08 FJIC x 12 FJIC swivel ends - LDR RR	2
43	11847	Hyd Hose - 1/2" x 34" Lg - 08 MJIC x 08 FJIC swivel end - Tensioner Return.....	1
44	11849	Hyd Hose - 1/2" x 96" Lg - 08 FJIC x 12 FJIC swivel ends - RT Bed Rod	1
45	11850	Hyd Hose - 1/2" x 94" Lg - 90 degree 08 FJIC x 08 FJIC - Hitch R&B PO Rod.....	3
46	11851	Hyd Hose - 1/2" x 75" Lg - 08 FJIC - P/R To Bed HL Ten Ret.....	2
47	11852	Hyd Hose - 1/2" x 75" Lg - 08 FJIC x 12 FJIC swivel ends - RT Bed Piston	1
48	11853	Hyd Hose - 1/2" x 60" Lg - 08 FJIC x 12 FJIC swivel ends - Lg LT Bed Rod	1
49	11854	Hyd Hose - 1/2" x 58" Lg - 90 degree 08 FJIC x 08 FJIC - PO Piston.....	1
50	11855	Hyd Hose - 1/2" x 52" Lg - 08 FJIC - Hawe To Bed HL-GH, AA.....	4

Hydraulic Assembly

Item	Part No.	Description	Qty
51	11856	Hyd Hose - 1/2" x 45" Lg - 08 FJIC x 12 FJIC swivel ends - LT Bed Piston.....	1
52	11857	Hyd Hose - 1/2" x 27" Lg - 08 FJIC x 12 FJIC swivel ends - Hawe To P/R Pressure.....	1
53	11858	Hyd Hose - 1/2" x 22" Lg - 08 FJIC x 12 FJIC swivel ends- Hawe To P/R Return	1
54	11860	Hyd Hose - 1/4" x 21" Lg - 04- Hawe DW To M Port.....	1
55	11861	Hyd Hose - 3/4" x 105" Lg - 12 FJIC - Motor Hoses	2
56	11862	Hyd Hose - 3/4" x 55" Lg - 12 FJIC - Hawe To LC V1 (Piston).....	1
57	11863	Hyd Hose - 3/4" x 49" Lg - 12 FJIC - Hawe To Cush, Lc V2 (Rod).....	3
58	11864	Hyd Hose - 3/4" x 38" Lg - 12 FJIC - LC To Bed HL	2
59	11868	Hyd. Hose - 3/4" x 92" Lg - 12 MJIC x 12 FJIC swivel end - Hawe Return.....	1
60	11869	Hyd. Hose - 3/4" x 81" Lg - 12 MJIC x 12 FJIC swivel end - Hawe Pressure	1
61	N37038	Hydraulic Hose - 3/4 x 84 Lg - 12 MORB x 12 FJIC swivel end.....	2
62	11871	Hyd Hose - 1/2" x 139" Lg - 08 FJIC swivel ends - AA LT RT Connect.....	1
63	11872	Hyd Hose - 1/2" x 139" Lg - 08 MJIC x 08 FJIC swivel end - AA Piston (Right)	1
64	11873	Hyd Hose - 1/2" x 99" Lg - 08 MJIC x 08 FJIC swivel end - AA Rod (Left)	1
65	11874	Hyd Hose - 1/2" x 80" Lg - 08 MJIC x 08 FJIC swivel end - GH	2
66	11875	Oil Line - 1/2 x 74 Lg - 08 FJIC - Bed Hard Line 1/2" TEN.....	2
67	11876	Oil Line - 1/2 x 80 Lg - 08 FJIC - Bed Hard Line 1/2" GH, AA.....	4
68	11879	Oil Line - 3/4 x 74 Lg - 12 FJIC - Bed Hard Line 3/4" LD Rod.....	1
69	11880	Oil Line - 3/4 x 76 Lg - 12 FJIC - Bed Hard Line 3/4" LD PIS	1
70	K44706	Oil Line - 3/4 x 132 Lg - 12 FJIC	2
71	K47922	Hydraulic Hose - 1/2 x 146 Lg - 08 FJIC x 08 MJIC.....	1
72	K47921	Hydraulic Hose - 3/8 x 175 Lg - 90 degree 06 FJIC x 06 MJIC	1
73	K47936	Hydraulic Hose - 3/8 x 78 Lg - 06 FJIC x 10 MORB	2
74	K44704	Oil Line - 3/8 x 129 Lg - 06 FJIC	1
75	11886	Hyd Hose - 1/2 x 25 Lg - 08 MJIC x 08 FJIC swivel end - Tensioner Pressure.....	1
76	12025	Bulkhead 2" Clamp - 12 MJIC	4
77	12031	Bulkhead 1 1/2" Clamp - 08 MJIC	5
78	12033	Bulkhead 2" Clamp - 08 MJIC	2
79	12035	Bulk Head 1 1/2" Clamp - 06 MJIC	2
80	12166	Grab Hook Cylinder	1
81	12167	Tensioner Cylinder	1
82	12168	Pushoff Cylinder.....	1
83	12185	To Avoid Damage Decal.....	1
84	K47935	Straight Adaptor - 04 MORB x 06 MJIC.....	1
85	10175	Fitting - M Connector - 1/2 P x #8 JIC.....	2
86	11358	Fitting - 90 Elbow - #8 FJIC x #12 JIC	4
87	K47926	Oil Line - 1/2 x 129 Lg - 08 FJIC.....	1
88	K47937	Hydraulic Hose - 1/2 x 78 Lg - 10 MORB x 08 FJIC	1
89	N16399	Check Valve - 12 FORB	1
90	N37849	Connector - 12 MORB x 12 FJIC	1
91	K50994	Hyd Hose - 3/4 x 22 Lg - 12 MORB x 12 FJIC.....	1
92	K50961	Connector - 10 MORB x 08 FORB.....	1

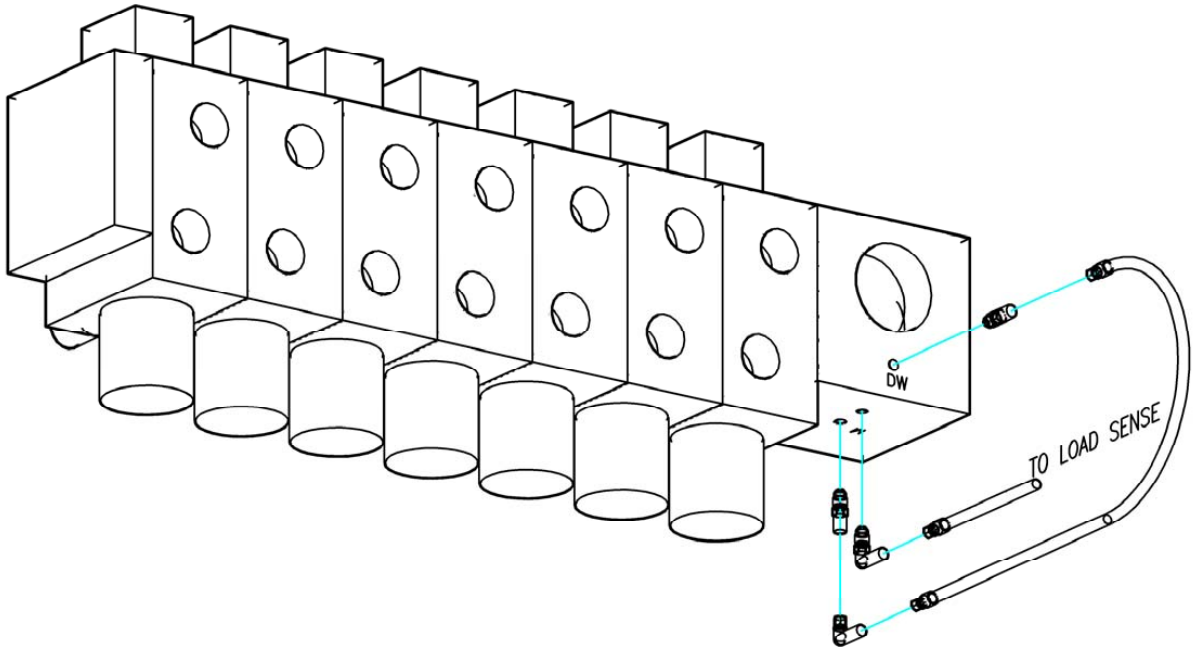
Hawe Valve



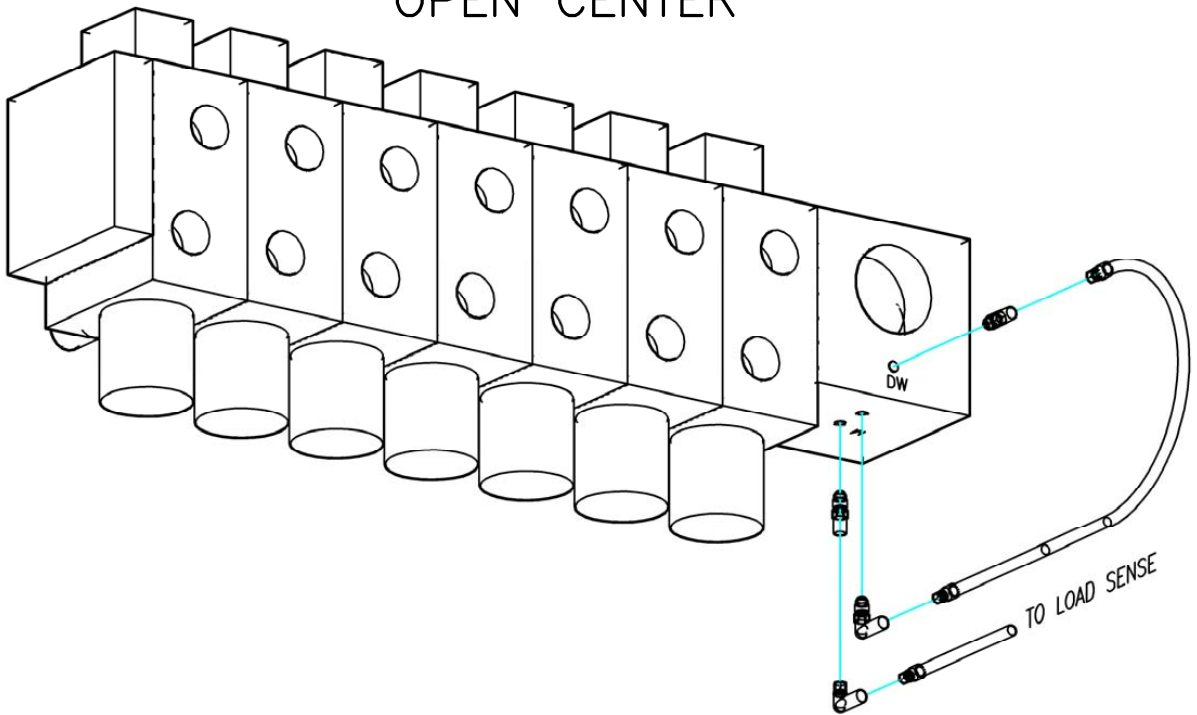
Item	Part No.	Description	Qty
1	12125	Valve Section Spring Cover	1
	12124	Flange Kit for Spring Cover (Includes Flanges and 4 Screws)	
2	12126	O-Ring (for Spring Cover 12125)	1
3	K44732	O-Ring/Seal Kit for Valve Section (Includes O-Ring 12126; does not include Spring Cover 12125)	1
4	12492	Rebuild Kit for Vavle Section (Includes O-Ring/Seal Kit K44732; does not include Spring Cover 12125)	1
5	K44731	O-Ring/Seal Kit for Connection Block	1
6	12491	Rebuild Kit for Connection Block (Included O-Ring Kit K44731)	1
	K42397	Power Slide Pressure Limiting Valve (Pre 2009 models)	1
7	K51553	Hawe Relief Valve Kit	
	K45674	Lock Valve (Not Shown)	

Hawe Valve

CLOSED CENTER



OPEN CENTER



Cylinder Specification Sheet



Name: Bed Cyl Part # 10436
 Type: Welded Length: 48 3/4"
 Bore X Stroke: 5" x 36"
 Packing Kit PMCK-AW-0024



Name: Left Loader Cyl Part # K44046
 Type: Welded
 Bore X Stroke: 3 1/2" x 20" Length: 32 7/8"
 Packing Kit # K49705
 Blind End Journal Bushing # 10936



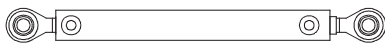
Name: Right Loader Cyl Part # K44042
 Type: Welded
 Bore X Stroke: 3 1/2" x 20" Length: 32 7/8"
 Packing Kit # K49705
 Blind End Journal Bushing # 10936



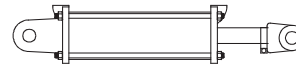
Name: Left Alnmt Cyl Part # 10440
 Type: Tie-Rod
 Bore X Stroke: 4" x 8" Length: 19 5/8"
 Packing Kit # PMCK-AW-0028



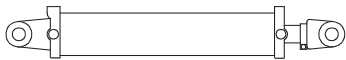
Name: Right Alnmt Cyl Part # 10439
 Type: Tie-Rod
 Bore X Stroke: 4.5" x 8" Length: 19 5/8"
 Packing Kit # PMCK-AW-0027



Name: Grab Hook 03 Cyl Part # 12166
 Type: Welded
 Bore X Stroke: 2 1/2" x 16" Length: 26 3/4"
 Packing Kit # PMCK-AR-707



Name: Tensioner Cyl Part # 12167
 Type: Tie-Rod Length: 18 1/4"
 Bore X Stroke: 2" x 8"
 Packing Kit # PMCK-BD-0574



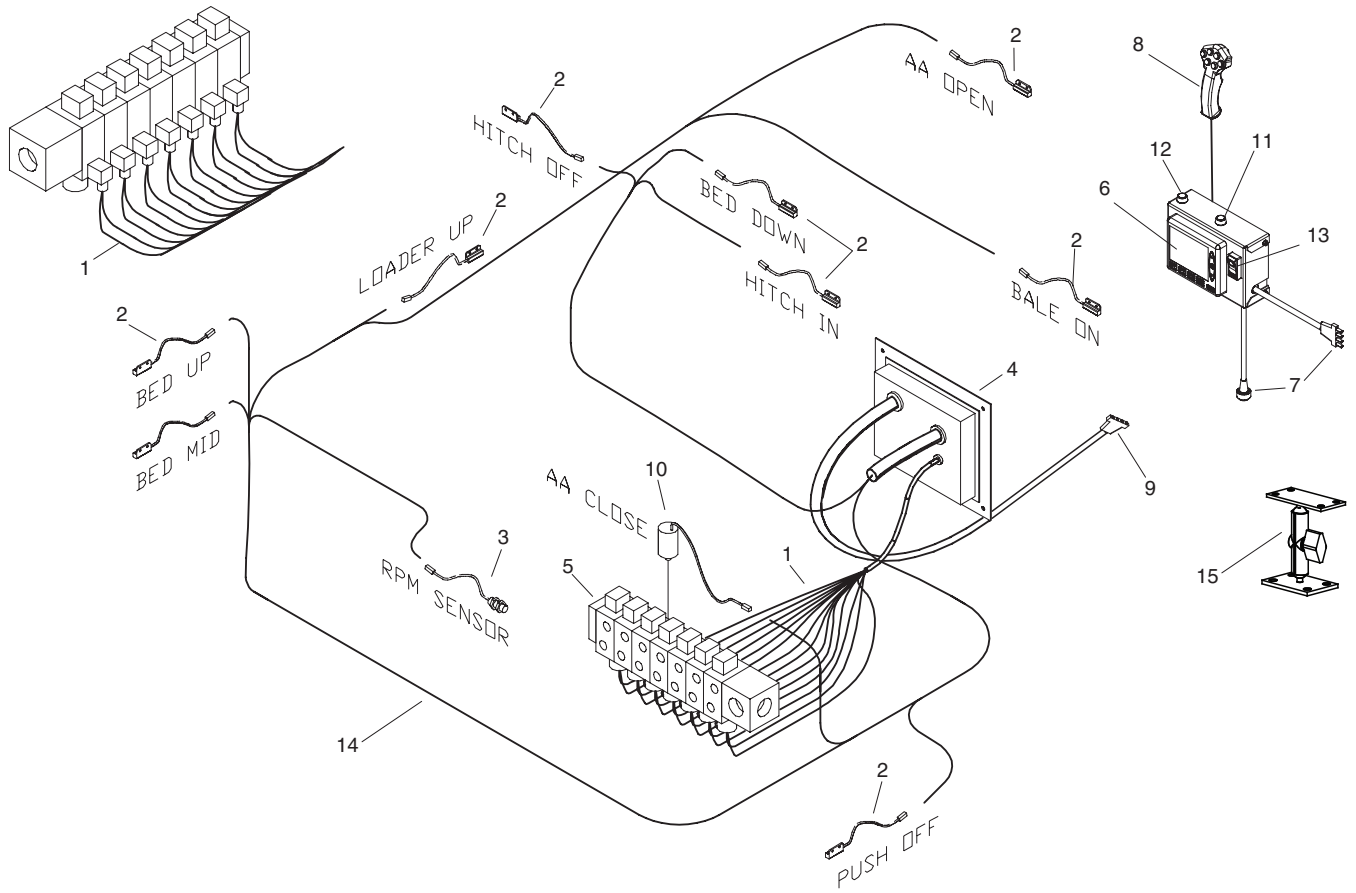
Name: K Hitch Cyl Part # 10449
 Type: Welded Length: 34 7/8"
 Bore X Stroke: 3.5" x 18"
 Packing Kit # PMCK-AU-0478
 Clevis - Screw On - K49746



Name: Pushoff Cyl Part # 12168
 Type: Tie-Rod
 Bore X Stroke: 3" x 30" Length: 40 1/4"
 Packing Kit # PMCK-BD-0575

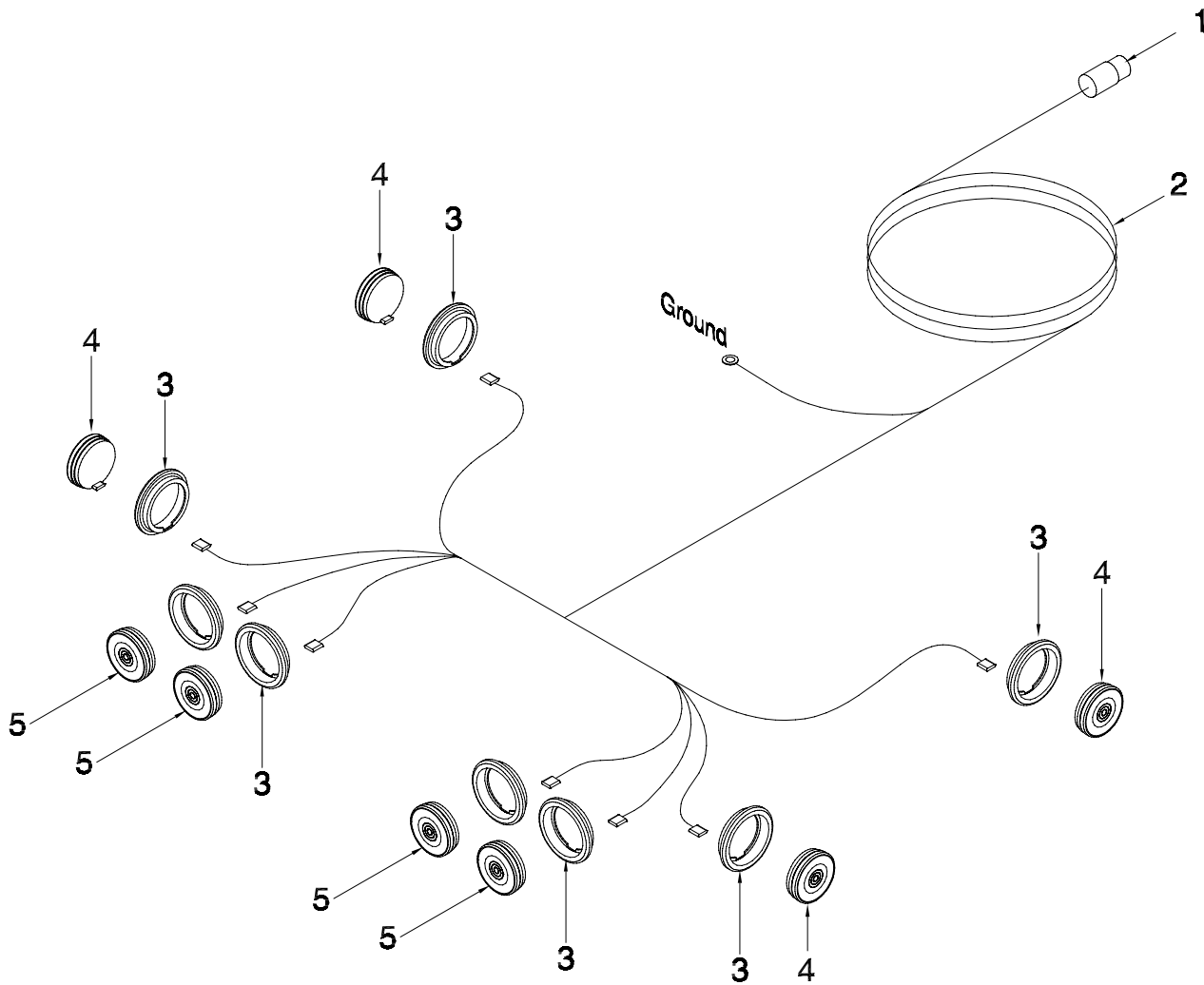
K45362 - 7/16 CYLINDER SPACER

Electrical Control Assembly



Item	Part No.	Description	Qty
1	K45407	Solenoid Harness (Not as illustrated)	1
2	11505	Ferrous Metal Sensor	9
3	K47327	Power Slide Position Sensor	1
4	K47328	Controller (Not as illustrated)	1
	K45406	Controller Harness (Not Shown).....	1
	K45802	Controller Mount Plate (Not as illustrated)	1
5	11695	Hawe Valve	1
6	K47321	16K PLUS Monitor Assembly.....	1
	K47318	Monitor Display Box	
	K45430	Communication Harness (Not Shown)	
7	K45426	Power Harness - Included in Monitor Assembly	1
8	K44708	Multifunction Grip/Cable.....	1
9	K47019	Control Cable - Hitch (Not as illustrated).....	1
10	K47326	Arms In Pressure Sensor.....	1
	K47330	Connector - 9/16-18 FORB x 7/16-20 MORB	1
11	K47313	3 Amp Fuse - Fast Acting.....	1
12	K47314	20 Amp Fuse - Fast Acting.....	1
13	11890	Switch	1
14	K45408	Sensor Harness (Not as illustrated).....	1
15	K45647	Kit - Mounting System - PROAG Control Box	1
	K45686	Mounting Arm	1
	K45687	Mount Base.....	1
	K45685	U-Bolt Base Mount (Not Shown).....	2

Light Assembly



Item	Part No.	Description	Qty
1	C32690	7 Pole Plug Connector	1
2	K49081	Harness - LED Lights.....	1
3	K48395	Lamp - Red LED	4
4	K48396	Lamp - Amber LED	4
5	K48397	Grommet Rubber - Lamp	8

Suspension Assembly

The 16K PLUS uses a Hutchens Industries trailer suspension similar to below.

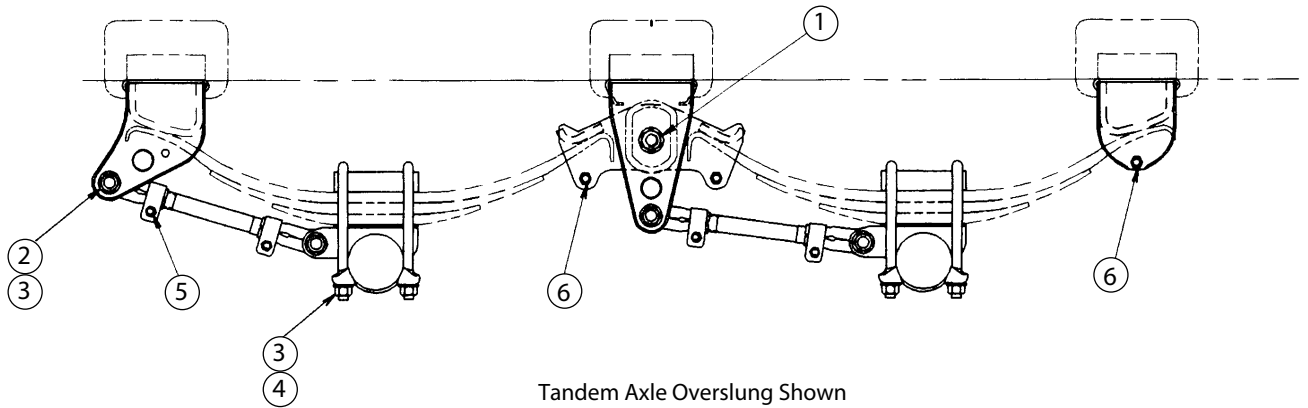
For detailed information visit Hutchens website resource centre at www.hutchensindustries.com.

Suspension used is H-9700 underslung with 44" centers and 2 1/4" spring seat height with 5" round axles.

Parts available through PROAG dealers are as follows:

- 12146 Spring Leaf Pack
- 12180 Spring Center Bolt
- 12188 Suspension Bushing Torque Arm
- 12272 Top Leaf - 16K Spring Back

All other suspension parts order through a qualified truck trailer shop.

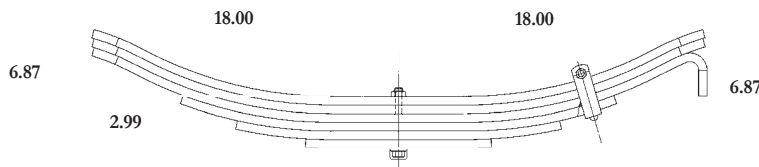


Torque Specifications

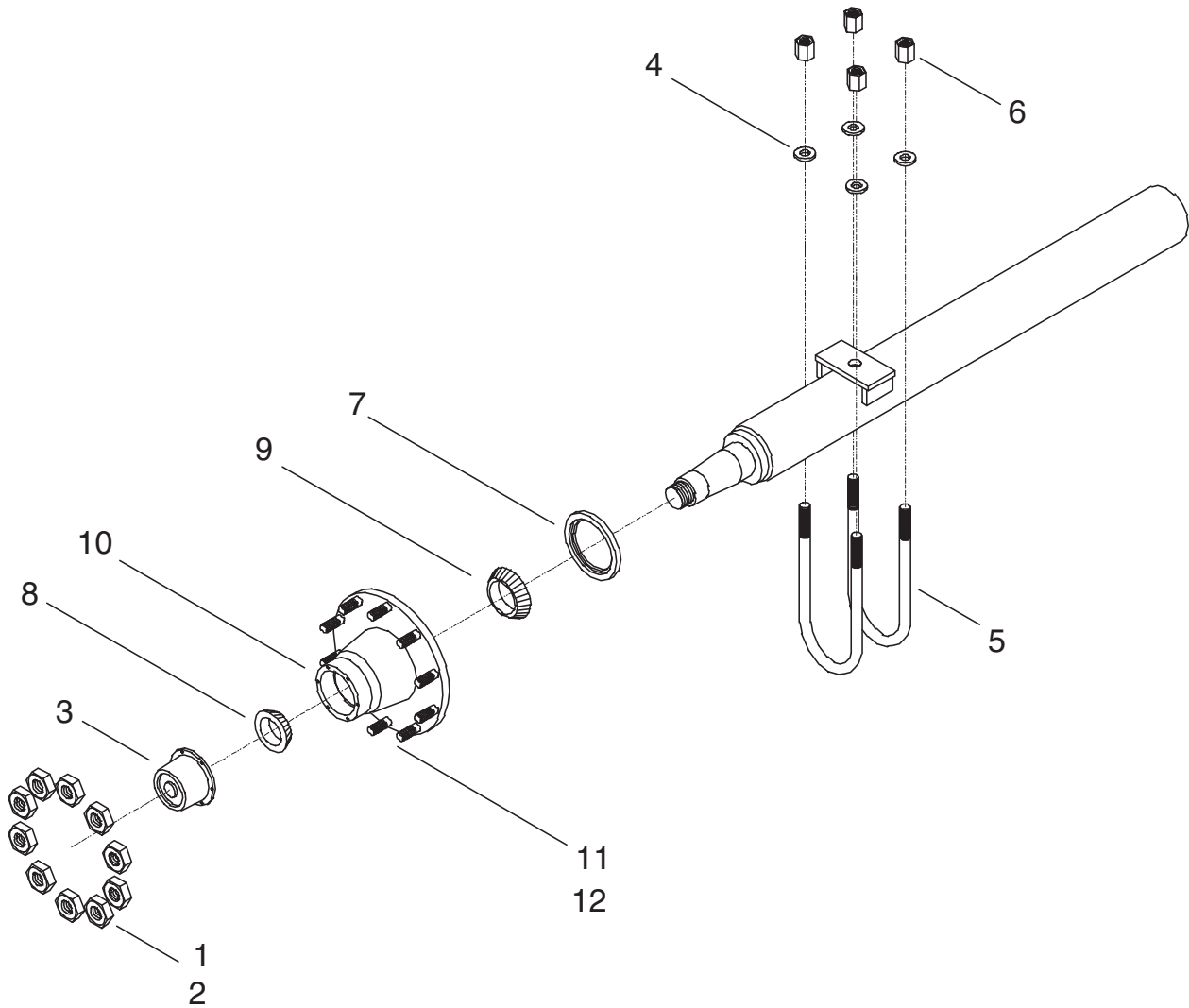
Item No.	Fastener	Oiled	Dry
1	1 1/8-7 (9600/9700 Rocker Bolt)	590 Lb-Ft	790 Lb-Ft
2	1-14 (9700 Radius Rod Bolt)	540 Lb-Ft	720 Lb-Ft
3	7/8-14 (Axle U-Bolt & 9600 Radius Rod Bolt)	350 Lb-Ft	470 Lb-Ft
4	3/4-16 (Axle U-Bolt)	310 Lb-Ft	420 Lb-Ft
5	5/8-18 (Radius Rod Clamp Bolt)	130 Lb-Ft	170 Lb-Ft
6	5/8-18 (Spring Retainer Bolt)	35 Lb-Ft	50 Lb-Ft

12146 Spring Leaf Pack - Low Arch, 6 Leaf

44" Axle Center All Positions. Hook to Rear.

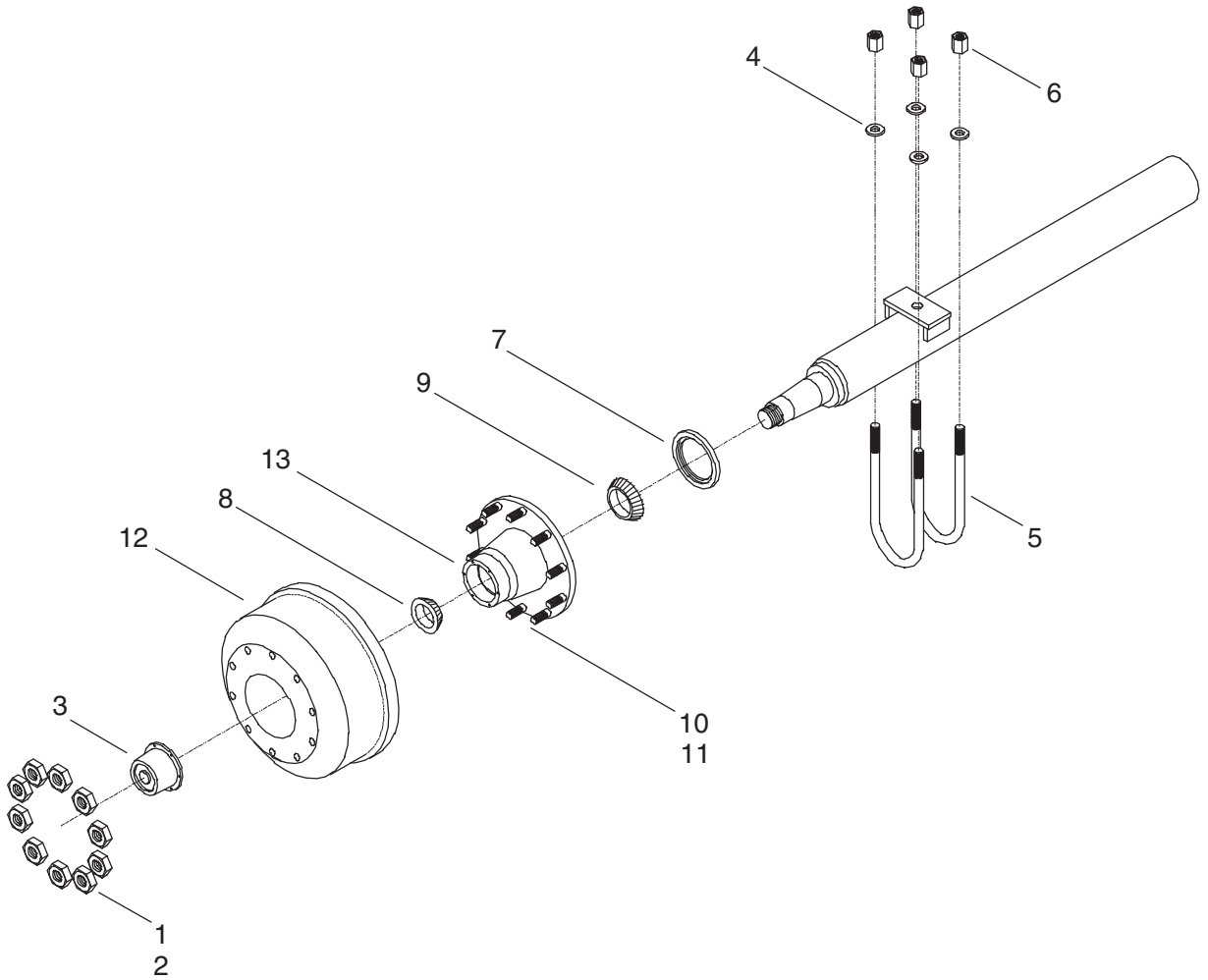


Non Brake Hub Assembly



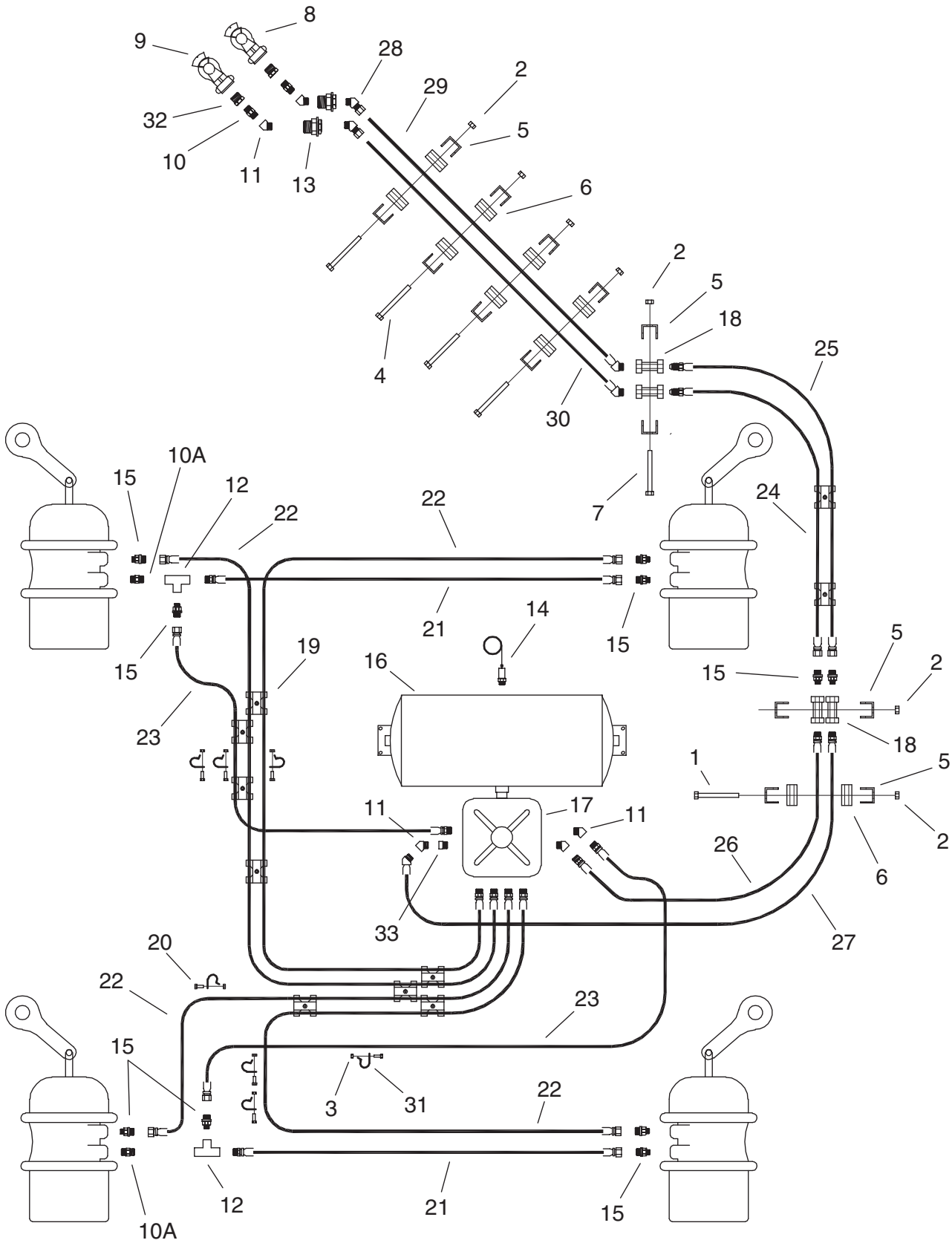
Item	Part No.	Description	Qty
1	10046	Left Single Lug Nut	10
2	10047	Right Single Lug Nut.....	10
3	11677	Oil Cap (Aluminum).....	2
4	12011	Washer - U-Bolt.....	8
5	12012	U-Bolt.....	4
6	12013	Nut - U-Bolt	8
7	12096	Oil Seal	2
8	12097	Outer Bearings.....	2
9	12098	Inner Bearings.....	2
10	12099	Non Brake Hub	2
11	12100	Break Right Stud.....	10
12	12101	Break Left Stud	10

Air Brake Hub Assembly



Item	Part No.	Description	Qty
1	10046	Left Single Lug Nut	10
2	10047	Right Single Lug Nut.....	10
3	11677	Oil Cap (Aluminum).....	2
4	12011	Washer - U-Bolt	8
5	12012	U-Bolt.....	4
6	12013	Nut - U-Bolt	8
7	12096	Oil Seal	2
8	12097	Outer Bearings.....	2
9	12098	Inner Bearings.....	2
10	12100	Break Right Stud.....	10
11	12101	Break Left Stud	10
12	12102	Air Brake Drum	2
13	12103	Air Brake Hub	2

Air Brake Assembly



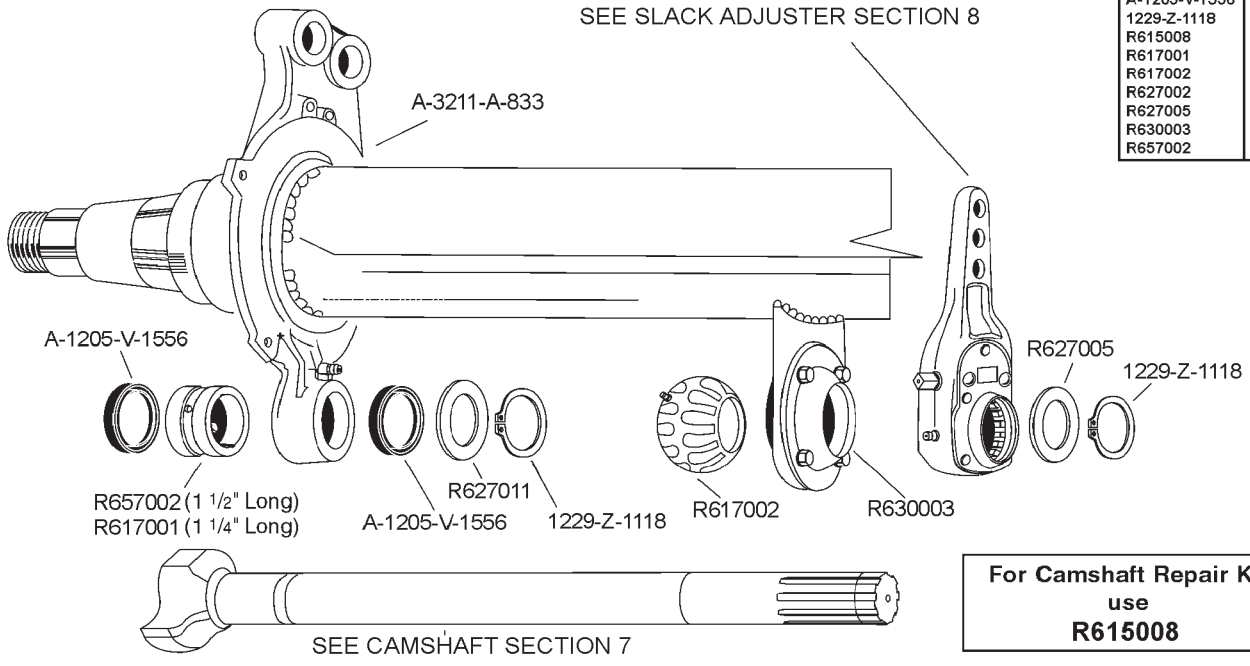
Air Brake Assembly

Item	Part No.	Description	Qty
1	10068	5/16" x 2 1/2" Gr. 8 Plated HHCS	1
2	10231	5/16" Nylock Nut.....	7
3	10233	1/4" Nylock Nut.....	7
4	11772	5/16" -18 x 6" Zink HHCS Gr 5.....	4
5	12019	Clamp 1 1/2", 2 Hole, 1 Bolt.....	7
6	12026	Rubber 1 1/2", 1/2" Tubing.....	10
7	12041	5/16" x 7 1/2" HHCS Gr 5 Plated.....	1
8	12065	Glad Hand Service.....	1
9	12066	Glad Hand - Supply.....	1
10	12069	Brass 3/8" Pipe Hex Nipple	2
10A	12069	Brass 3/8" Pipe Hex Nipple	2
11	12071	Brass 3/8" Pipe 45 Street Elbow	5
12	12072	Brass 3/8" Pipe Female Tee	2
13	12077	Brass BH 3/8" FP To 3/8 FP	2
14	12080	Brass Drain Valve 1/4" MP 60" Cable.....	1
15	12083	Brass 1/2" ABS To 3/8" MP Adapter	10
16	12084	Air Brake Tank.....	1
17	12085	Air Brake Valve.....	1
18	12086	Bulkhead, 1 1/2" Clamp, 3/8" FP.....	4
19	12087	Plastic 2 Air Hose Clamp	10
20	12088	1/4" x 1" Gr. 8 Plated HHCS	7
21	12089	Air Brake Hose 16".....	2
22	12090	Air Brake Hose 56 1/2"	4
23	12091	Air Brake Hose 46 1/2"	2
24	12092	Air Brake Hose 29 1/2"	1
25	12093	Air Brake Hose 32 1/2"	1
26	12094	Red Nylon Tubing 1/2" Air Brakes 26"	1
27	12095	Blue Nylon Tubing 1/2" Air Brakes 33".....	1
28	12104	Brass 1/2" ABS To 3/8", 45 Street Elbow	2
29	12128	Blue Nylon Tubing 1/2" Air Brakes 200".....	1
30	12129	Red Nylon Tubing 1/2" Air Brakes 202"	1
31	12110	Strap Hose Clamp .88" OD	7
32	12156	Brass Pipe Bushing 1/2" MP To 3/8" FP	2
33	12157	Brass Adapter 3/8" FP To 1/4" MP.....	1

Slack Adjustment Assembly

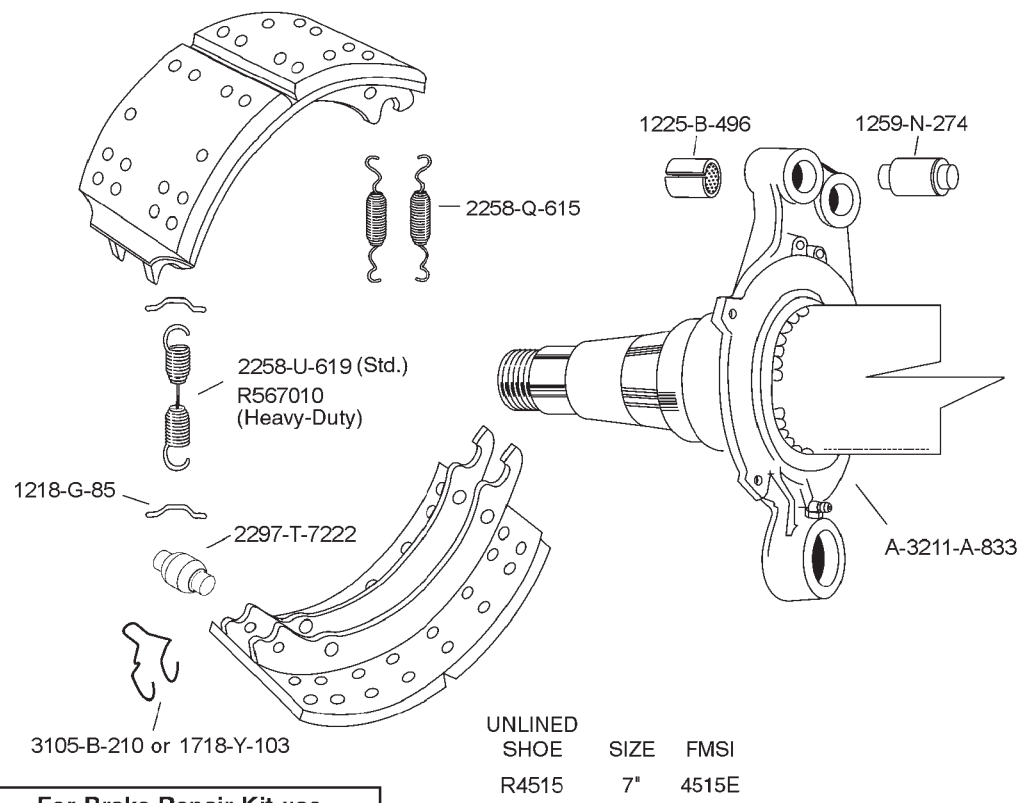
CAMSHAFT, BUSHINGS AND BRACKET PARTS

PAGE REFERENCE	
MERITOR NO.	PAGE NO.
A-1205-V-1556	7-76
1229-Z-1118	7-68
R615008	7-58
R617001	7-71
R617002	7-71
R627002	7-66
R627005	7-63
R630003	7-74
R657002	7-70



BRAKE SHOES AND HARDWARE

PAGE REFERENCE	
MERITOR NO.	PAGE NO.
1218-G-85	3-17
1225-B-496	3-7
1259-N-274	3-5
1718-Y-103	3-4
2258-Q-615	3-13
2258-U-619	3-15
2297-T-7222	3-2
3105-B-210	3-4
KIT 8000	2-24
KIT 8000HD	2-27
R4515	4-18
R567010	3-15



UNLINED
SHOE SIZE FMSI
R4515 7" 4515E

Index

10046 1-3, 1-36	11309 1-17	1-9, 1-13, 1-17, 1-19, 1-21	11901 1-5
10047 1-3, 1-36	11310 1-25	11576 1-11, 1-17	12008 1-23
10049 1-5	11319 1-25	11579 1-11	12011 1-36, 1-37
10050 1-5	11324 1-19	11582 1-13	12012 1-36, 1-37
10051 1-5	11328 1-19	11584 1-9	12013 1-36, 1-37
10052 1-5	11331 1-19	11585 1-9	12019 1-39
10065 1-17	11332 1-19	11586 1-7	12020 1-5
10066 1-25	11333 1-19, 1-20	11587 1-7	12022 1-5
10068 1-39	11342 1-11	11588 1-7	12024 1-5, 1-11
10069 1-5	11348 1-28	11589 1-3	12025 1-5, 1-11, 1-29
10075 1-3, 1-11, 1-19	11350 1-28	11592 1-13	12026 1-5, 1-11, 1-39
10091 1-7	11351 1-28	11677 1-36, 1-37	12028 1-11
10104 1-17	11353 1-28	11678 1-17	12029 1-11
10129 1-5	11355 1-28	11695 1-7, 1-28, 1-33	12030 1-11
10142 1-25	11356 1-28	11701 1-3	12031 1-5, 1-11, 1-29
10175 1-29	11357 1-28	11723 1-7, 1-28	12033 1-11, 1-29
10178 1-17, 1-28	11358 1-28, 1-29	11724 1-25	12035 1-5, 1-29
10180 1-17, 1-28	11359 1-28	11734 1-13	12036 1-5
10187 1-28	11360 1-7, 1-28	11740 1-7, 1-20, 1-21	12038 1-11
10229 1-3, 1-11, 1-19	11365 1-28	11749 1-3	12041 1-39
10231	11366 1-28	11751 1-23	12050 1-13
1-7, 1-11, 1-20, 1-21, 1-39	11368 1-28	11772 1-39	12053 1-13
10233 1-39	11369 1-7, 1-28	11774 1-5	12065 1-39
10247 1-25	11373 1-3	11808 1-7	12066 1-39
10248 1-19	11382 1-3	11811 1-28	12069 1-39
10256	11405 1-28	11812 1-28	12071 1-39
1-13, 1-15, 1-17, 1-19, 1-20	11409 1-13, 1-28	11845 1-11, 1-28	12072 1-39
10257 1-19	11414 1-13	11846 1-11, 1-28	12077 1-39
10295 1-9	11429 1-3	11847 1-11, 1-28	12080 1-39
10302 1-11, 1-13, 1-15, 1-17, 1-19, 1-20	11468 1-5	11849 1-28	12083 1-39
10313 1-25	11469 1-3	11850 1-28	12084 1-39
10351 1-17	11470 1-3	11851 1-11, 1-28	12085 1-39
10352 1-5	11471 1-3	11852 1-28	12086 1-39
10355 1-17	11497 1-17	11853 1-28	12087 1-39
10369 1-25	11498 1-11	11854 1-28	12088 1-39
10436 1-3, 1-28	11505 1-9, 1-13, 1-17, 1-19, 1- -21, 1-33	11855 1-11, 1-28	12089 1-39
10439 1-17, 1-28	11512 1-11, 1-17	11856 1-29	12090 1-39
10440 1-17, 1-28	11527 1-17	11857 1-29	12091 1-39
10449 1-5, 1-28	11531 1-11	11858 1-29	12092 1-39
10604 1-13, 1-17	11532 1-11	11860 1-29	12093 1-39
10646 1-7	11533 1-19	11861 1-29	12094 1-39
10662 1-25	11534 1-19	11862 1-29	12095 1-39
10677 1-25	11541 1-17	11863 1-29	12096 1-36, 1-37
10811 1-7, 1-20, 1-21	11543 1-19, 1-20	11864 1-11, 1-29	12097 1-36, 1-37
10816 1-5	11558 1-13	11868 1-29	12098 1-36, 1-37
10827 1-17	11570	11869 1-29	12099 1-36
10847	1-9, 1-13, 1-17, 1-19, 1-21	11871 1-21, 1-29	12100 1-36, 1-37
1-13, 1-15, 1-17, 1-19, 1-20	11571	11872 1-11, 1-29	12101 1-36, 1-37
10854 1-28	1-9, 1-13, 1-17, 1-19, 1-21	11873 1-11, 1-29	12102 1-37
10935 1-28	11572	11874 1-11, 1-29	12103 1-37
10936 1-11, 1-17	1-9, 1-13, 1-17, 1-19, 1-21	11875 1-11, 1-29	12104 1-39
10949 1-7	11573	11876 1-11, 1-29	12110 1-39
11065 1-3	1-9, 1-13, 1-17, 1-19, 1-21	11879 1-11, 1-29	12124 1-30
11115 1-15	11574 1-17	11880 1-11, 1-29	12125 1-30
11282 1-11	11575	11886 1-11, 1-29	12126 1-30
		11890 1-33	12128 1-39

12129 1-39
12146 1-35
12156 1-39
12157 1-39
12166 1-17, 1-29
12167 1-23, 1-29
12168 1-3, 1-29
12180 1-35
12185 1-29
12188 1-35
12211 1-13
12214 1-13
12236 1-13
12237 1-13
12238 1-23
12240 1-23
12242 1-13
12243 1-13
12254 1-13
12255 1-13
12261 1-3
12272 1-35
12285 1-28
12286 1-28
12441 1-7
12461 1-19, 1-21
12491 1-30
12492 1-30
34986 1-23
44006 1-23

A

A45664 1-5

B

BW-11 1-3

C

C-1550 1-5
C12609 1-17
C15768 1-25
C17295 1-17, 1-25
C18761 1-5
C26701 1-15, 1-17
C32690 1-34
C33957 1-23, 1-25

D

D-4838 1-5
D-5240 1-5
D-5272 1-11, 1-23
D-5274 , 1-5
D-5489
1-3, 1-5, 1-7, 1-11, 1-19
D-5498 1-5

F

F-3405 1-3, 1-13, 1-17, 1-19

H

H10462 1-5
H27963 1-5

K

K25798 1-3, 1-15
K42394 1-17
K42396 1-17
K42397 1-30
K44042 1-17, 1-28
K44046 1-17, 1-28
K44704 1-5, 1-29
K44706 1-5, 1-29
K44708 1-33
K44731 1-30
K44732 1-30
K45406 1-9, 1-33
K45407 1-33
K45408 1-33
K45426 1-33
K45430 1-33
K45433 1-17
K45434 1-17
K45445 1-17
K45448 1-23, 1-25
K45449 1-3
K45647 1-33
K45650 1-3
K45651 1-5
K45652 1-3
K45658 1-5
K45666 1-5
K45667 1-5
K45668 1-5
K45674 1-30
K45679 1-5
K45680 1-5
K45683 1-23, 1-25
K45685 1-33
K45686 1-33
K45687 1-33
K45802 1-9, 1-33
K47014 1-17
K47015 1-23
K47017 1-23
K47019 1-33
K47304 1-19
K47313 1-33
K47314 1-33
K47316 1-9
K47317 1-9
K47318 1-33
K47321 1-33
K47326 1-33
K47327 1-33
K47328 1-9, 1-33
K47330 1-33
K47771 1-5

K47787 1-5
K47788 1-5
K47921 1-5, 1-29
K47922 1-5, 1-29
K47925 1-28
K47926 1-5, 1-29
K47928 1-5
K47929 1-5
K47935 1-29
K47936 1-29
K47937 1-29
K48205 1-3
K48208 1-3
K48210 1-3
K48291 1-28
K48292 1-28
K48293 1-28
K48296 1-28
K48395 1-23, 1-34
K48396 1-23, 1-34
K48397 1-23, 1-34
K49081 1-34
K49088 1-5
K50834 1-28
K50836 1-3
K50961 1-29
K50994 1-29
K51086 1-3
K51552 1-9
K51553 1-30

M

M-3388 1-3, 1-5, 1-7, 1-11

N

N13965 1-5
N15196 1-5
N16399 1-29
N19549 1-11
N21189 1-11
N22778 1-9, 1-14, 1-17
N29356 1-28
N29479 1-5
N34475 1-14
N34498 1-28
N37038 1-29
N37849 1-29
N37914 1-28
N37915 1-28
N42098 1-5, 1-7

P

P61D20 1-25

S

S-1189 1-3
S-1193 1-9
S-1197 1-5

S-1198 1-9, 1-14, 1-17
S-1199 1-5
S-1925 1-3
S31736 1-13
S32590 1-19, 1-25
S32944 1-11, 1-13
S34182 1-25

W

W-131 1-19, 1-20
W-187 1-5
W-476 1-11
W-477 1-3
W-485 1-17
W-491 1-3
W-493 1-19
W-494 1-5
W-516 1-13
W-517 1-13
W-518
1-11, 1-17, 1-19, 1-23, 1-25
W-525 1-13
W-526 1-13
W-527
1-11, 1-17, 1-19, 1-23, 1-25
W-538 , 1-3, 1-11
W-539 1-13, 1-17, 1-23
W-541 1-25
W-1552 1-14, 1-17



Morris Industries (USA) Inc.
P.O. Box 1117
Minot, ND 58702-1117
Phone: 866-663-8515
Fax: 866-663-8535
Web www.morris-industries.com/proag

It is the policy of PROAG to improve its products whenever it is possible to do so.
PROAG reserves the right to make changes or add improvements at any time without
incurring any obligation to make such changes on machines sold previously.