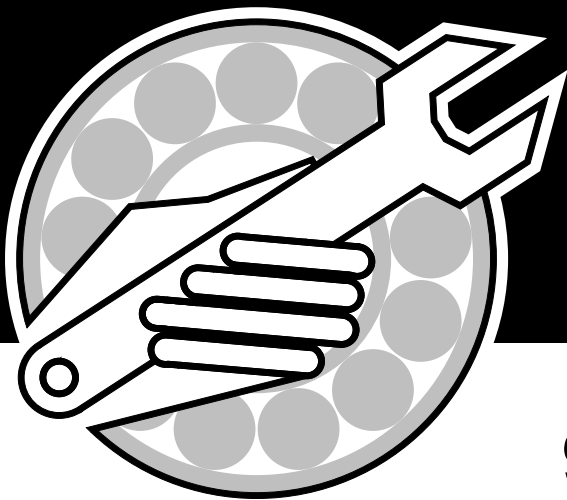




# Parts Manual



## 900 Hay Hiker

Part Number K49078-03

---

**IMPORTANT:**

ALL ITEMS ARE IDENTIFIED WITH A PART NUMBER. Some of the smaller parts such as bolts, nuts, washers, etc. are not all shown, however, the quantity used are listed in the text for that section which they fit into. That particular quantity is always the quantity required for one complete assembly.

Smaller parts, which are welded together to construct a larger part, are not to be ordered as individual pieces, unless they have a part number to identify them.

Contact your nearest dealer for genuine repair parts. Dealers carry ample stock and are backed by the manufacturer and regional associations.

**PROAG PAINT**

Spray Cans:

Part Number	Description
W-4647 .....	Red Spray Can
N31087 .....	Sky White Spray Can

Litre Cans:

Part Number	Description
Z-10.....	Red Paint/Litre

**MANUALS**

Part Number	Description
K49076 .....	Operator's Manual
K49077 .....	Assembly Manual

---

# Table of Contents

---

<b>Section 1:</b>	
<b>Frame &amp; Hitch</b> .....	<b>1-1</b>
Frame & Hitch .....	1-2
Hitch Jack.....	1-4
<b>Section 2:</b>	
<b>Push Bar, Fork &amp; Drive</b> .....	<b>2-1</b>
Push Bar - Drive .....	2-2
Fork - Prior to 2012 .....	2-4
Fork - 2012 to .....	2-6
Fork (4 ft Bale Mod) - Prior to 2012.....	2-8
Fork (4 ft Bale Mod) - 2012 to Present.....	2-10
<b>Section 3:</b>	
<b>Axle &amp; Wheels</b> .....	<b>3-1</b>
Axles .....	3-2
Wheels .....	3-3
<b>Section 4:</b>	
<b>Hydraulics</b> .....	<b>4-1</b>
Hydraulics .....	4-2
Prior to 2012 .....	4-2
2012 .....	4-4
2013 - 2015 .....	4-6
2016 to Present .....	4-8
Cylinders .....	4-10
Relief Valve Kit .....	4-12
<b>Section 5:</b>	
<b>Lighting and Safety Signs</b> .....	<b>5-1</b>
Marking Lights.....	5-2
Safety Signs.....	5-4
<b>Section 6:</b>	
<b>Options</b> .....	<b>6-1</b>
Side Rail Kit.....	6-2
<b>Index</b> .....	<b>i</b>

# Table of Contents

---

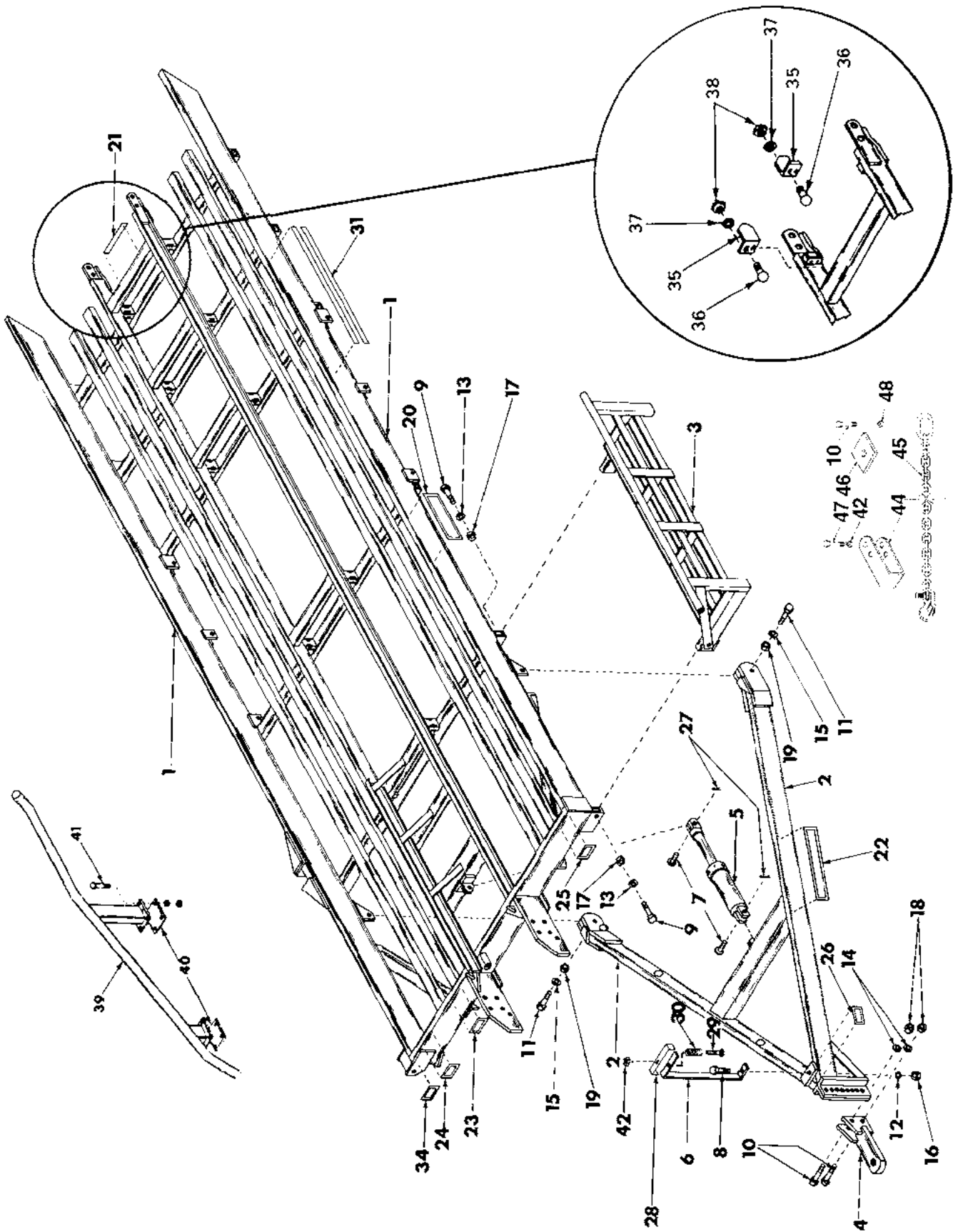
**Notes**

# Section 1: Frame & Hitch

## Section Contents

Frame & Hitch .....	1-2
Hitch Jack.....	1-4

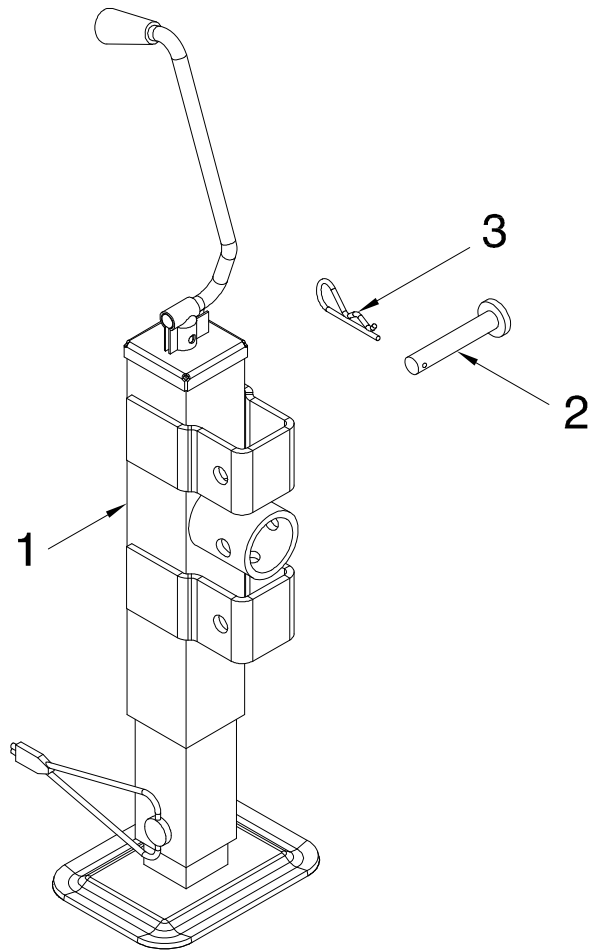
# Frame & Hitch



## Frame & Hitch

Item	Part No.	Description	Qty
1	K40350	Main Frame - Extended .....	1
2	K-3801	Main Hitch .....	1
3	K29170	Bale Stop .....	1
4	W-1039	Clevis (Bar Type) .....	1
	K47728	Clevis (Optional "U" Type) (Not Shown).....	1
5	C-2040	Hydraulic Cylinder - 3 x 12 Lg.....	1
6	K-5345	Hose Holder .....	1
7	W-558	Pin - 1 Dia x 2 1/4 Lg.....	2
8	W-485	Hex Bolt - 1/2 x 1 1/4 Lg.....	1
9	W-480	Hex Bolt - 3/8 x 2 1/2 Lg .....	2
10	W-509	Hex Bolt - 3/4 x 2 1/2 Lg.....	3
11	K-5478	Hex Bolt - 1 x 3 1/2 Lg.....	2
12	W-525	Lockwasher - 1/2 .....	2
13	W-523	Lockwasher - 3/8 .....	2
14	W-527	Lockwasher - 3/4 .....	2
15	C-705	Lockwasher - 1 .....	2
16	W-516	Hex Nut - 1/2 .....	2
17	W-514	Hex Nut - 3/8 .....	2
18	W-518	Hex Nut - 3/4 .....	2
19	W-520	Hex Nut - 1 .....	2
20	K49074	Decal - "Hay-Hiker 900" .....	2
21	*****		
22	12194	Decal - "PROAG".....	2
23	N24301	Decal - "CAUTION - Read Operator's Manual" .....	1
24	C31201	Decal - "WARNING" .....	1
25	S-4785	Decal - "Caution Stand Clear" .....	1
26	C-4262	Decal - "Caution Never Remove" .....	1
27	W-4181	Cotter Pin - 1/4 x 2 Lg.....	2
28	K-5347	Hose Clamp.....	1
29	W-495	Hex Bolt - 1/2 x 4 Lg .....	1
30	K-5367	Hose Hanger Spring.....	1
31	K-5827	Decal - 3 1/2" Strip.....	8
32	*****		
33	W-546	Washer - 1 1/8 x 14 Ga.....	1
34	K24212	Decal - "DANGER" .....	1
35	K11163	Hay Stripper .....	2
36	D-5259	Carriage Bolt - 5/16 x 3/4 Lg.....	4
37	W-522	Lockwasher - 5/16 .....	4
38	W-513	Hex Nut - 5/16.....	4
39	K40362	Bale Divider (Optional) .....	1
40	K11167	Clamp Plates (Optional) .....	2
41	W-493	Hex Bolt - 1/2 x 3 1/2 Lg (Optional) .....	8
42	F-3405	Locknut - 1/2.....	2
43	W-539	Flatwasher - 1/2 .....	1
44	C18758	Centre Support .....	1
45	C18760	20,000 lb Safety Chain .....	1
46	C18757	Retainer Washer (Used on 20,000 lb Chain) .....	1
47	D-5519	Hex Bolt - 1/2 x 3 3/4 Lg.....	1
48	D-5275	Locknut - 3/4.....	1
49	N34476	Reflector - Red (Not Shown) .....	2
50	N34477	Reflector - Amber (Not Shown).....	6
51	N34478	Reflector - Orange (Not Shown) .....	2

# Frame & Hitch Hitch Jack



Item	Part No.	Description	Qty
1	H59985	Hitch Jack Assembly - 7000 lb .....	1
2	H10462	Button Head Pin .....	2
3	W-131	Hair Pin - #9 .....	2

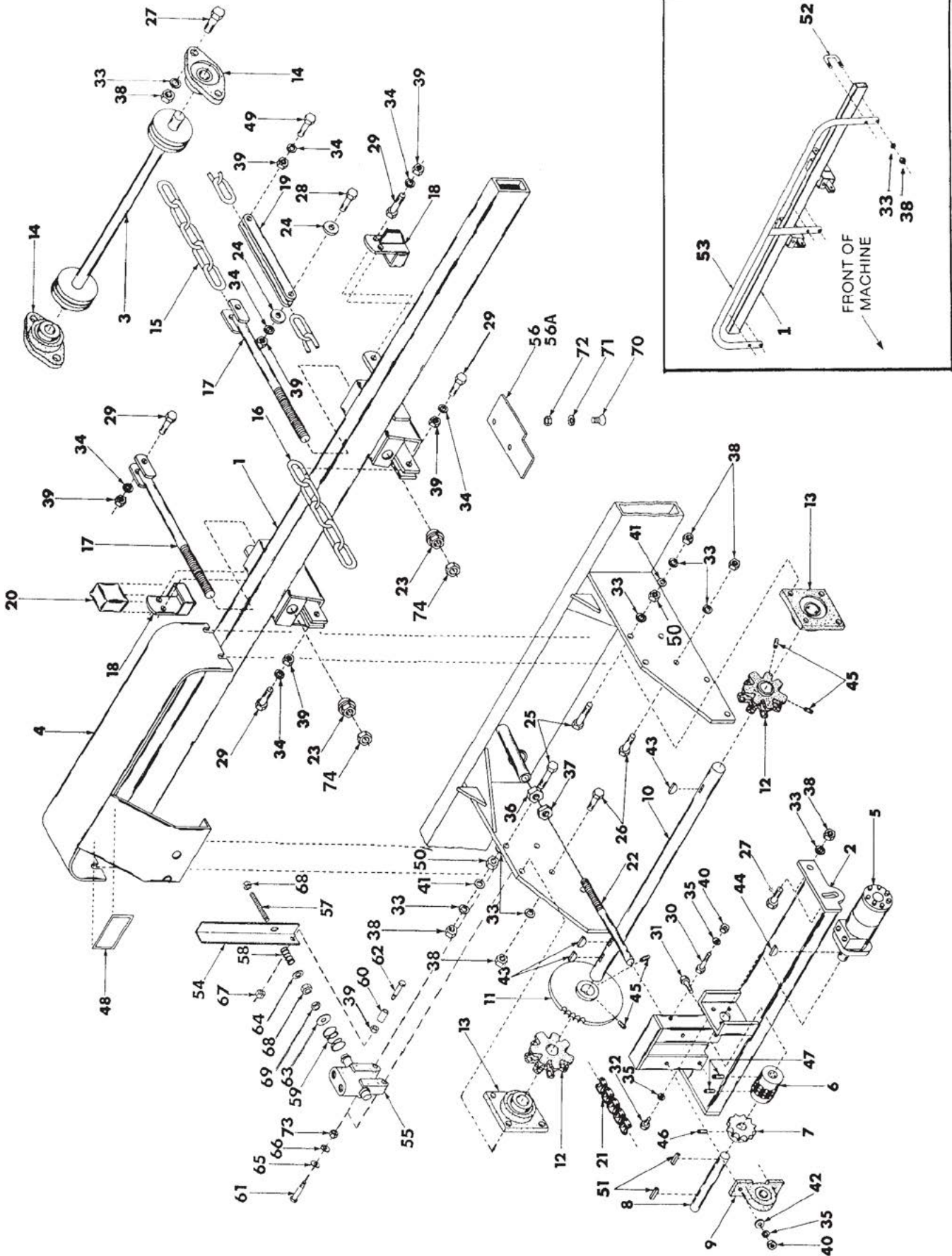


# Section 2: Push Bar, Fork & Drive

## Section Contents

Push Bar - Drive .....	2-2
Fork - Prior to 2012 .....	2-4
Fork - 2012 to .....	2-6
Fork (4 ft Bale Mod) - Prior to 2012.....	2-8
Fork (4 ft Bale Mod) - 2012 to Present.....	2-10

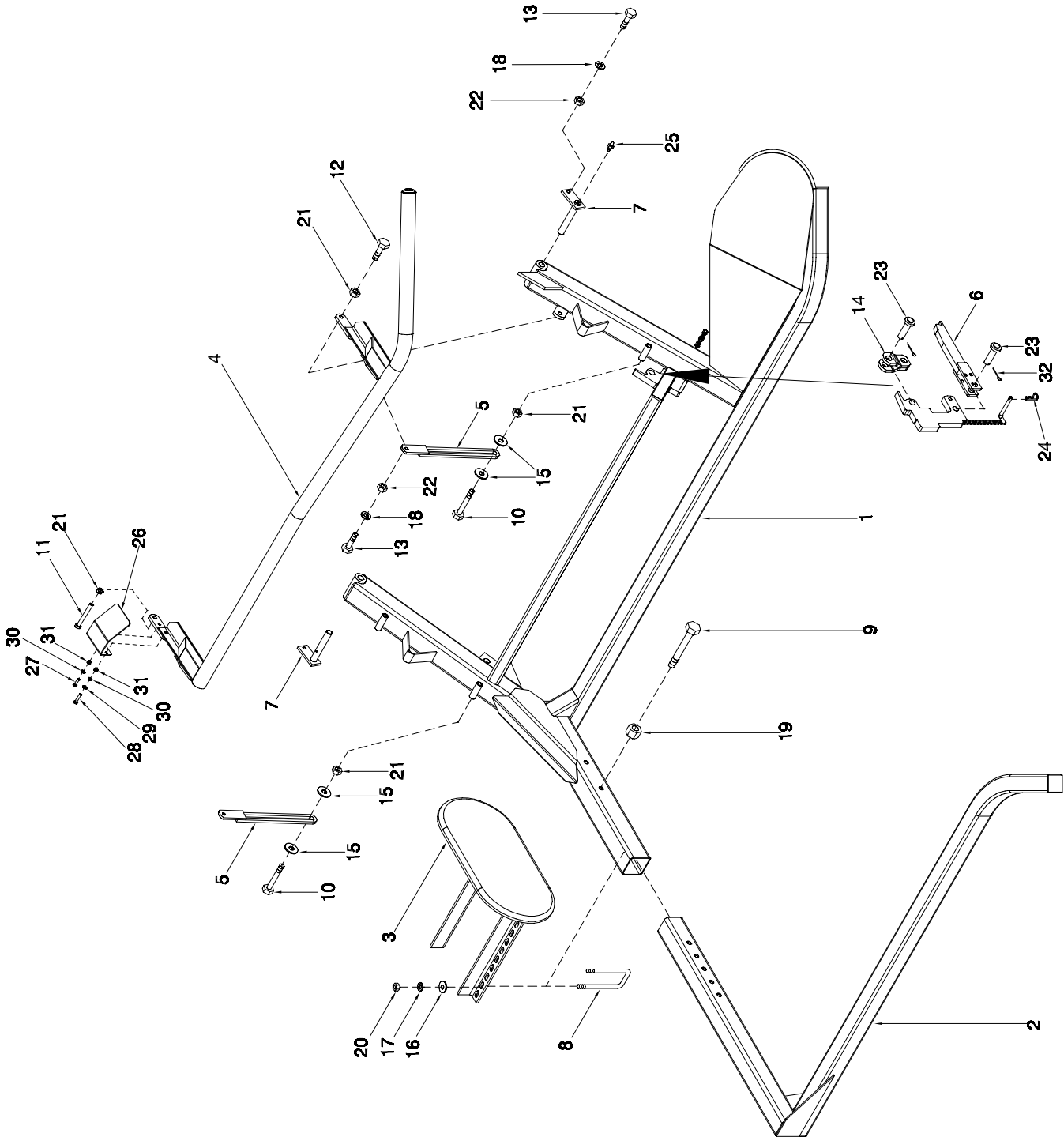
# Push Bar, Fork & Drive Push Bar - Drive



**Push Bar, Fork & Drive - Drive**

Item	Part No.	Description	Qty	Item	Part No.	Description	Qty
1	K-5333	Bale Push Bar	1	38	W-517	Hex Nut - 5/8	22
2	K50375	Motor Bracket	1	39	W-516	Hex Nut - 1/2	13
3	K-5335	Chain Roller	1	40	W-514	Hex Nut - 3/8	5
4	K-5350	Chain Guard	1	41	W-540	Flatwasher - 5/8	4
5	K51555	Orbit Motor (See Hydraulics for additional parts)	1	42	W-538	Flatwasher - 3/8	8
6	K-3813	Orbit Motor - Prior to 2012	1	43	W-1902	Woodruff Key - 3/8 x 1 3/8 Lg.	3
7	K-3821	Coupler Assembly	1	44	S-239	Woodruff Key - 1/4 x 7/8 Lg.	1
8	K-4568	13 Tooth Drive Sprocket	1	45	W-861	SeiscREW - 3/8 x 5/8 Lg.	6
9	K-5351	Jackshaft - Short - (1" Dia)	1	46	S-1203	SeiscREW - 5/16 x 1/2 Lg.	1
10	S-91	Pillow Block Bearing Assembly	2	47	W-554	SeiscREW - 5/16 x 5/16 Lg.	2
11	K-5348	Jackshaft (1 3/4 Dia)	1	48	K-5486	Decal - "Caution Help Prevent Accidents"	1
12	K-5358	40 Tooth Sprocket	1	49	W-487	Hex Bolt - 1/2 x 1 3/4 Lg.	2
13	K-5352	Cast Drive Pulley	2	50	C-1472	Jam Nut - 5/8	4
14	S-1115	Flange Bearing Assembly	2	51	S10730	Keystock - 1/4 x 1/4 x 1 1/4 (1989 to Present)	2
15	K-5366	Flange Bearing Assembly	2	52	C-219	U-Bolt - 5/8 x 4 x 5 9/16 Lg.	3
16	K-5363	Chain, Top - 287" Lg (Calibrated)	2	53	K12536	Extension - Push Bar	1
17	K40365	Chain, Bottom - 299" Lg (Calibrated)	2	54	K25658	Activator Arm	1
18	K-5342	Chain Tightener	2	55	S-4730	Selector Valve - 2 way	1
19	K-5343	Bushing Holder	2	56	K25838	Plate - Left Wear - Push Bar	1
20	K-5336	Clamp Strap	4	56A	K25837	Plate - Right Wear - Push Bar	1
21	K24350	Nylon Wear Block	2	57	K25657	Rod - Threaded	1
22	K-5365	Roller Chain No 60 (48 Links with Connectors)	1	58	W-342	Spring - Slip Clutch (9/16 ID x 1 OD x 1 13/16 Lg).	1
23	W-807	Chain Link - #60 Connector	1	59	K25655	Spring - 1 11/32 ID x 2 Lg.	1
24	W-808	Chain Link - #60 Offset	1	60	K25656	Spacer	1
25	K-5337	Adjusting Rod	1	61	J12217	Hex Bolt - 5/16 x 2 1/4 Lg.	2
26	K-5476	Chain Tightener Nut	2	62	W-492	Hex Bolt - 1/2 x 3 Lg.	1
27	K-5477	Washer	4	63	W14504	Washer - 13/32 ID x 1 1/2 OD x 1/8	1
28	W-502	Hex Bolt - 5/8 x 2 3/4 Lg.	4	64	D-5579	Washer - 13/32 ID x 1 OD x 16 Ga.	1
29	W-499	Hex Bolt - 5/8 x 2 Lg.	4	65	D-5488	Washer - 11/32 ID x 11/16 OD x 16 Ga.	2
30	W-498	Hex Bolt - 5/8 x 1 3/4 Lg.	8	66	W-522	Lockwasher - 5/16	2
31	W-490	Hex Bolt - 1/2 x 2 1/2 Lg.	2	67	F-3405	Locknut - 1/2 Unitorque	1
32	W-488	Hex Bolt - 1/2 x 2 Lg.	8	68	M-3388	Locknut - 3/8 Unitorque	2
33	W-479	Hex Bolt - 3/8 x 2 1/4 Lg.	1	69	S-748	Jam Nut - 3/8	1
34	W-477	Hex Bolt - 3/8 x 1 1/2 Lg.	4	70	N25463	Countersunk Machine Screw - 3/8 x 3/4 Lg.	4
35	W-475	Hex Bolt - 3/8 x 1 Lg.	4	71	W-523	Lockwasher - 3/8	4
36	W-526	Lockwasher - 5/8	26	72	K-5567	Hex Nut - 3/8 UNF	4
37	W-525	Lockwasher - 1/2	12	73	W-513	Hex Nut - 5/16	2
38	W-523	Lockwasher - 3/8	9	74	W-575	Jam Nut - 3/4	2
39	W-520	Hex Nut - 1	1				
40	S-711	Jam Nut - 1	1				

Push Bar, Fork & Drive  
Fork - Prior to 2012



**Push Bar, Fork & Drive - Fork - Prior to 2012**

<b>Item</b>	<b>Part No.</b>	<b>Description</b>	<b>Qty</b>
1	K25638	Inner Fork.....	1
	K50130	Inner Fork Assembly - (Includes Item 6 Assembly)	
2	K21986	Outer Fork.....	1
3	K21447	Bale Stop .....	1
4	K34954	Bale Deflector .....	1
5	K-5340	Adjustment Loop .....	2
6	K45840	Transport Lock - REFER to TECHNICAL BULLETIN 349 .....	1
7	K-5341	Hinge Pin .....	2
8	W14503	U-Bolt .....	2
9	C-3919	Hex Bolt - 3/4 x 5 1/2 Lg.....	1
10	W-506	Hex Bolt - 5/8 x 5 Lg .....	2
11	C-852	Hex Bolt - 5/8 x 4 1/2 Lg .....	1
12	W-499	Hex Bolt - 5/8 x 2 Lg .....	1
13	W-487	Hex Bolt - 1/2 x 1 3/4 Lg.....	4
14	K45841	Link - Inner Fork.....	2
15	C-1526	Washer - Wear .....	4
16	W-793	Flatwasher - 5/8 .....	4
17	W-526	Lockwasher - 5/8 .....	4
18	W-525	Lockwasher - 1/2 .....	4
19	D-5275	Locknut - 3/4 .....	1
20	W-517	Hex Nut - 5/8.....	4
21	S-1197	Locknut - 5/8 .....	4
22	W-516	Hex Nut - 1/2.....	4
23	W-558	Pin - 1 Dia x 2 1/4 UL.....	2
24	W-131	Hair Pin .....	1
25	S-752	Grease Zerk - 1/4 Straight .....	2
26	K34960	Guard.....	1
27	W-187	Hex Bolt - 3/8 x 1 1/4 Lg.....	1
28	W-619	Hex Bolt - 3/8 x 1 3/4 Lg.....	1
29	D-5489	Flatwasher - 3/8 .....	1
30	W-523	Lockwasher - 3/8.....	2
31	W-514	Hex Nut - 3/8.....	2
32	W-535	Cotter Pin - 1/4 x 1 1/2 Lg .....	2

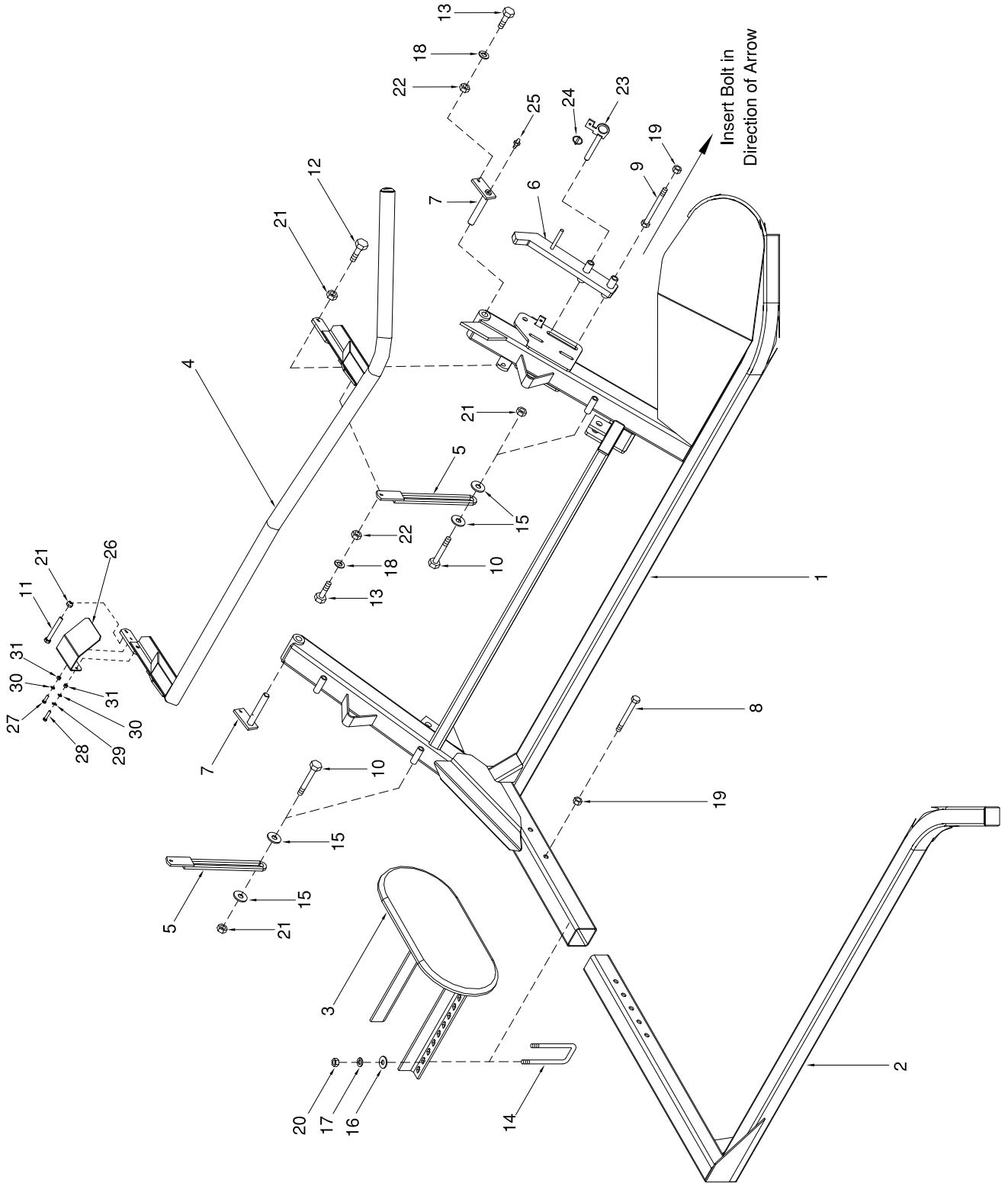
**The inner fork remained unchanged K25638 when it switched to the new K50109 transport lock style. (See next page)**

---

**If you already have the new transport lock, and just wish to replace your inner arm, order K25638. If you have the old style arm (pre-2012) and need to replace it, order K50130, which includes the new transport lock assembly.**

---

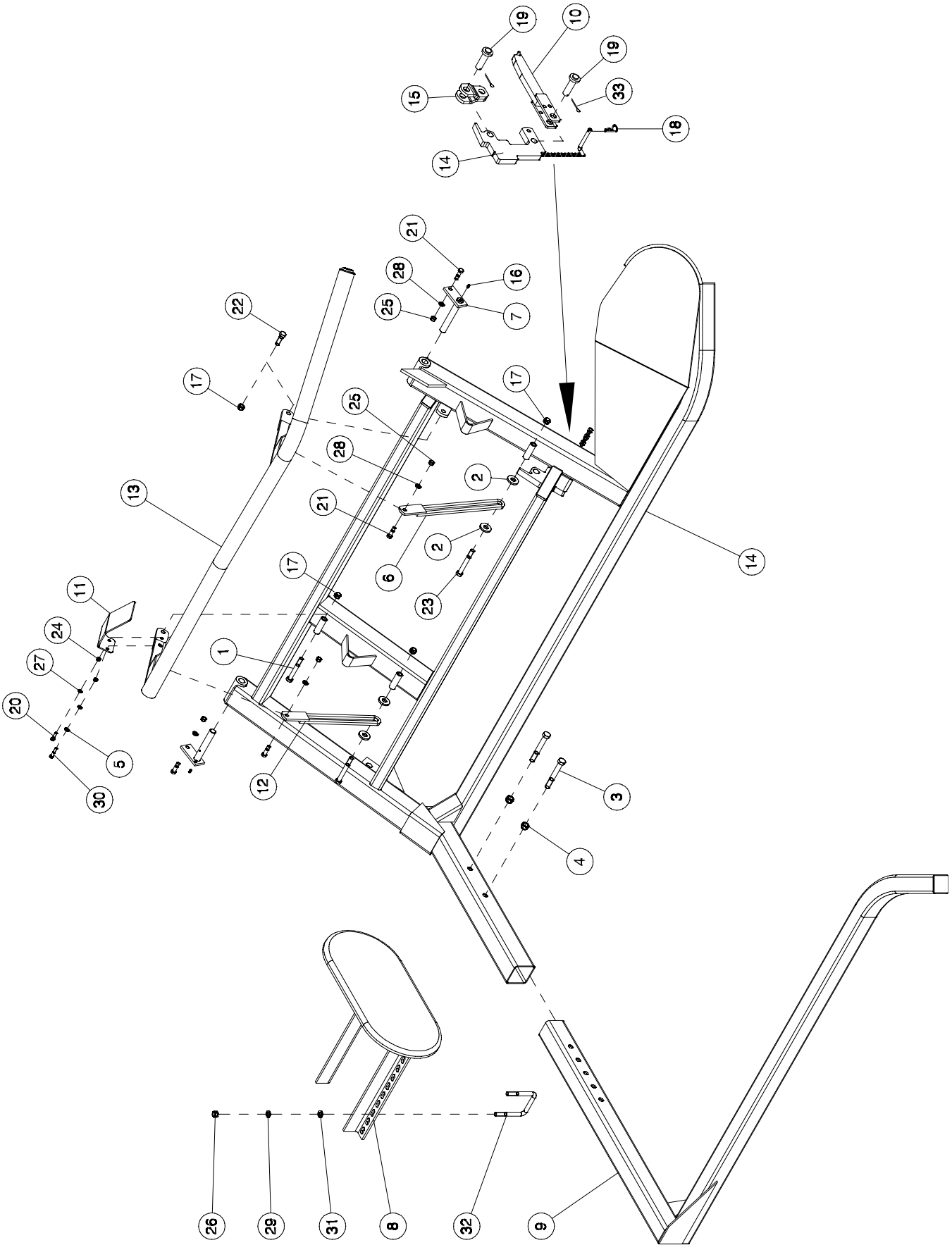
# Push Bar, Fork & Drive Fork - 2012 to



**Push Bar, Fork & Drive - Fork - 2012 to**

<b>Item</b>	<b>Part No.</b>	<b>Description</b>	<b>Qty</b>
1	K25638	Inner Fork.....	1
	K50130	Inner Fork Assembly - (Includes Item 4, 10, 15, 18 and 19)	
2	K21986	Outer Fork.....	1
3	K21447	Bale Stop .....	1
4	K34954	Bale Deflector .....	1
5	K-5340	Adjustment Loop.....	2
6	K50109	Transport Lock.....	1
7	K-5341	Hinge Pin .....	2
8	C-3919	Hex Bolt - 3/4 x 5 1/2 Lg.....	1
9	D-5558	Hex Bolt - 3/4 x 6 Lg.....	1
10	W-506	Hex Bolt - 5/8 x 5 Lg .....	2
11	C-852	Hex Bolt - 5/8 x 4 1/2 Lg .....	1
12	W-499	Hex Bolt - 5/8 x 2 Lg .....	1
13	W-487	Hex Bolt - 1/2 x 1 3/4 Lg.....	4
14	W14503	U-Bolt - 5/8 x 4 x 5 1/4 UL.....	2
15	C-1526	Washer - Wear - (25/32 ID x 1 7/8 OD x 1/4 Thick) .....	4
16	W-793	Flatwasher - 5/8 (0.64 ID x 1 1/8 OD x 3/16 Thick) .....	4
17	W-526	Lockwasher - 5/8 .....	4
18	W-525	Lockwasher - 1/2 .....	4
19	D-5275	Locknut - 3/4 .....	2
20	W-517	Hex Nut - 5/8.....	4
21	S-1197	Locknut - 5/8 .....	4
22	W-516	Hex Nut - 1/2.....	4
23	K50106	Blain Pin - 3/4 Dia x 5 3/16 UL.....	1
24	N19307	Klik Pin - 1/4 Dia x 1 3/4 Lg.....	1
25	S-752	Grease Zerk - 1/4 Straight .....	2
26	K34960	Guard.....	1
27	W-187	Hex Bolt - 3/8 x 1 1/4 Lg.....	1
28	W-619	Hex Bolt - 3/8 x 1 3/4 Lg.....	1
29	D-5489	Flatwasher - 3/8 (13/32 ID x 13/16 OD x 16 Ga).....	1
30	W-523	Lockwasher - 3/8.....	2
31	W-514	Hex Nut - 3/8.....	2

# Push Bar, Fork & Drive Fork (4 ft Bale Mod) - Prior to 2012

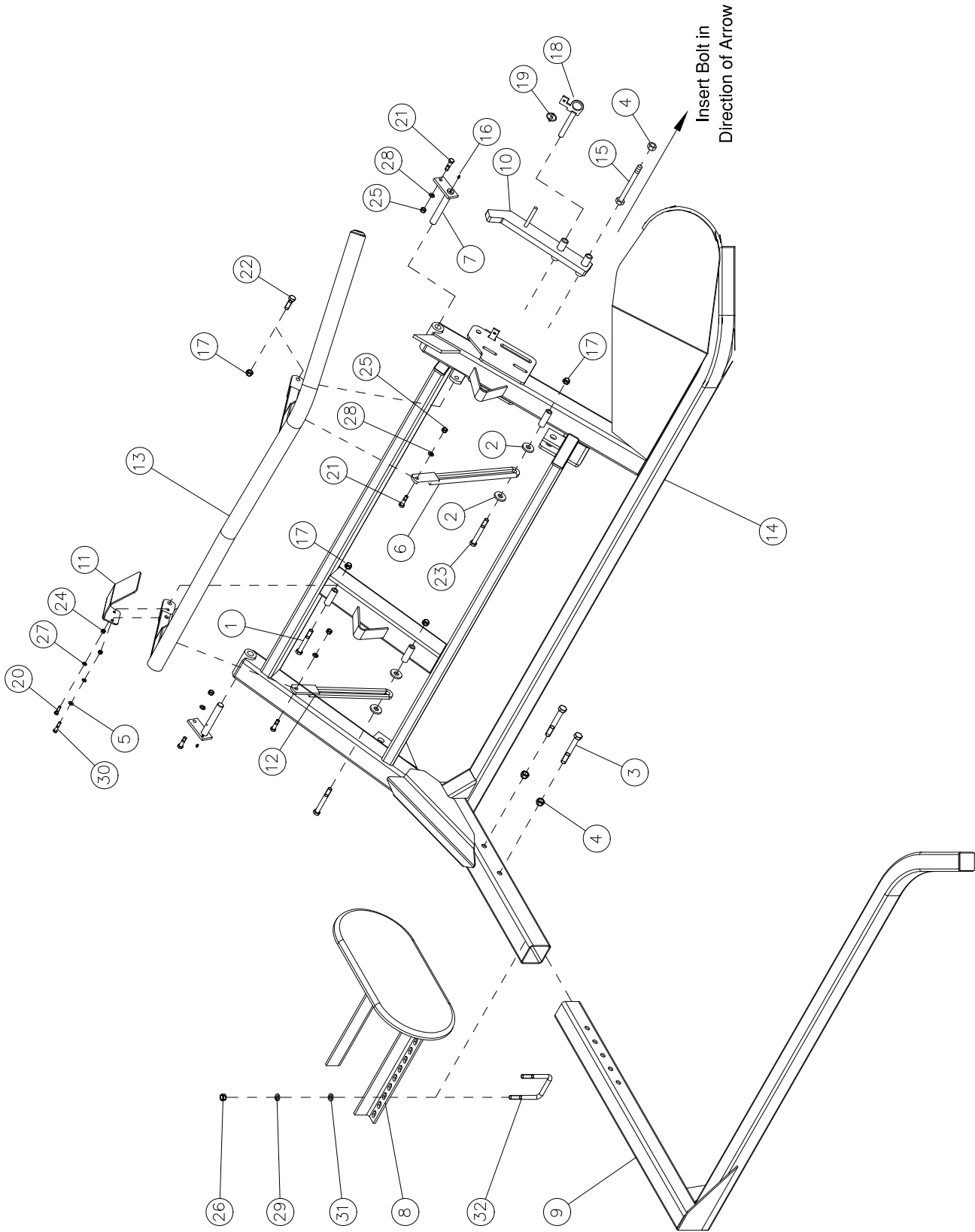




**Push Bar, Fork & Drive - Fork (4 ft Bale Mod) - Prior to 2012**

<b>Item</b>	<b>Part No.</b>	<b>Description</b>	<b>Qty</b>
1	C-852	Hex Bolt - 5/8 x 4 1/2 Lg.....	1
2	C-1526	Spacer Washer.....	4
3	C-3919	Hex Bolt - 3/4 x 5 1/2 Lg.....	2
4	D-5275	Locknut - 3/4 Unitorque.....	2
5	D-5489	Washer - 13/32 ID x 13/16 OD x 16 Ga.....	1
6	K-5340	Deflector Bar Adjustment Loop .....	1
7	K-5341	Hinge Pin .....	2
8	K21447	Bale Stop .....	1
9	K21986	Outer Fork.....	1
10	K45840	Transport Lock - REFER to TECHNICAL BULLETIN 349 .....	1
11	K34960	Guard.....	1
12	K40353	Adjustment Loop Rear - 4 Ft Bale Mod.....	1
13	K40355	Bale Deflector - 4 Ft Bale Mod.....	1
14	K40360	Inner Fork W/Bale Turner - 4 Ft Bale Mod .....	1
15	K45841	Link - Inner Fork.....	2
16	S-752	Grease Fitting - 1/4 Straight .....	2
17	S-1197	Locknut - 5/8 Unitorque.....	4
18	W-131	Hairpin - 5/32 .....	1
19	W-558	Pin - 1 Dia x 2 1/4 UL.....	2
20	W-187	Hex Bolt - 3/8 x 1 1/4 Lg.....	1
21	W-487	Hex Bolt - 1/2 x 1 3/4 x 3/4 Lg Thread.....	4
22	W-499	Hex Bolt - 5/8 x 2 Lg.....	1
23	W-506	Hex Bolt - 5/8 x 5 Lg.....	2
24	W-514	Hex Nut - 3/8.....	2
25	W-516	Hex Nut - 1/2.....	4
26	W-517	Hex Nut - 5/8.....	4
27	W-523	Lockwasher - 3/8.....	2
28	W-525	Lockwasher - 1/2.....	4
29	W-526	Lockwasher - 5/8.....	4
30	W-619	Hex Bolt - 3/8 x 1 3/4 Lg.....	1
31	W-793	Washer - 5/8 ID x 1 1/8 x 3/16 Thick .....	4
32	W14503	U-Bolt - 5/8 x 4 x 5 1/4 UL.....	2
33	W-535	Cotter Pin - 1/4 x 1 1/2 Lg .....	2

# Push Bar, Fork & Drive Fork (4 ft Bale Mod) - 2012 to Present



**Push Bar, Fork & Drive - Fork (4 ft Bale Mod) - 2012 to Present**

<b>Item</b>	<b>Part No.</b>	<b>Description</b>	<b>Qty</b>
1	C-852	Hex Bolt - 5/8 x 4 1/2 Lg.....	1
2	C-1526	Spacer Washer.....	4
3	C-3919	Hex Bolt - 3/4 x 5 1/2 Lg.....	2
4	D-5275	Locknut - 3/4 Unitorque.....	2
5	D-5489	Washer - 13/32 ID x 13/16 OD x 16 Ga.....	1
6	K-5340	Deflector Bar Adjustment Loop .....	1
7	K-5341	Hinge Pin .....	2
8	K21447	Bale Stop .....	1
9	K21986	Outer Fork.....	1
10	K50109	Transport Lock.....	1
11	K34960	Guard.....	1
12	K40353	Adjustment Loop Rear - 4 Ft Bale Mod.....	1
13	K40355	Bale Deflector - 4 Ft Bale Mod.....	1
14	K40360	Inner Fork W/Bale Turner - 4 Ft Bale Mod .....	1
15	D-5558	Hex Bolt - 3/4 x 6 Lg.....	1
16	S-752	Grease Fitting - 1/4 Straight .....	2
17	S-1197	Locknut - 5/8 Unitorque.....	4
18	K50106	Blain Pin - 3/4 Dia x 5 3/16 UL.....	1
19	N19307	Klik Pin - 1/4 Dia x 1 3/4 Lg.....	1
20	W-187	Hex Bolt - 3/8 x 1 1/4 Lg.....	1
21	W-487	Hex Bolt - 1/2 x 1 3/4 x 3/4 Lg Thread.....	4
22	W-499	Hex Bolt - 5/8 x 2 Lg.....	1
23	W-506	Hex Bolt - 5/8 x 5 Lg.....	2
24	W-514	Hex Nut - 3/8.....	2
25	W-516	Hex Nut - 1/2.....	4
26	W-517	Hex Nut - 5/8.....	4
27	W-523	Lockwasher - 3/8.....	2
28	W-525	Lockwasher - 1/2.....	4
29	W-526	Lockwasher - 5/8.....	4
30	W-619	Hex Bolt - 3/8 x 1 3/4 Lg.....	1
31	W-793	Washer - 3/16.....	4
32	W14503	U-Bolt - 5/8 x 4 x 5 1/4 .....	2

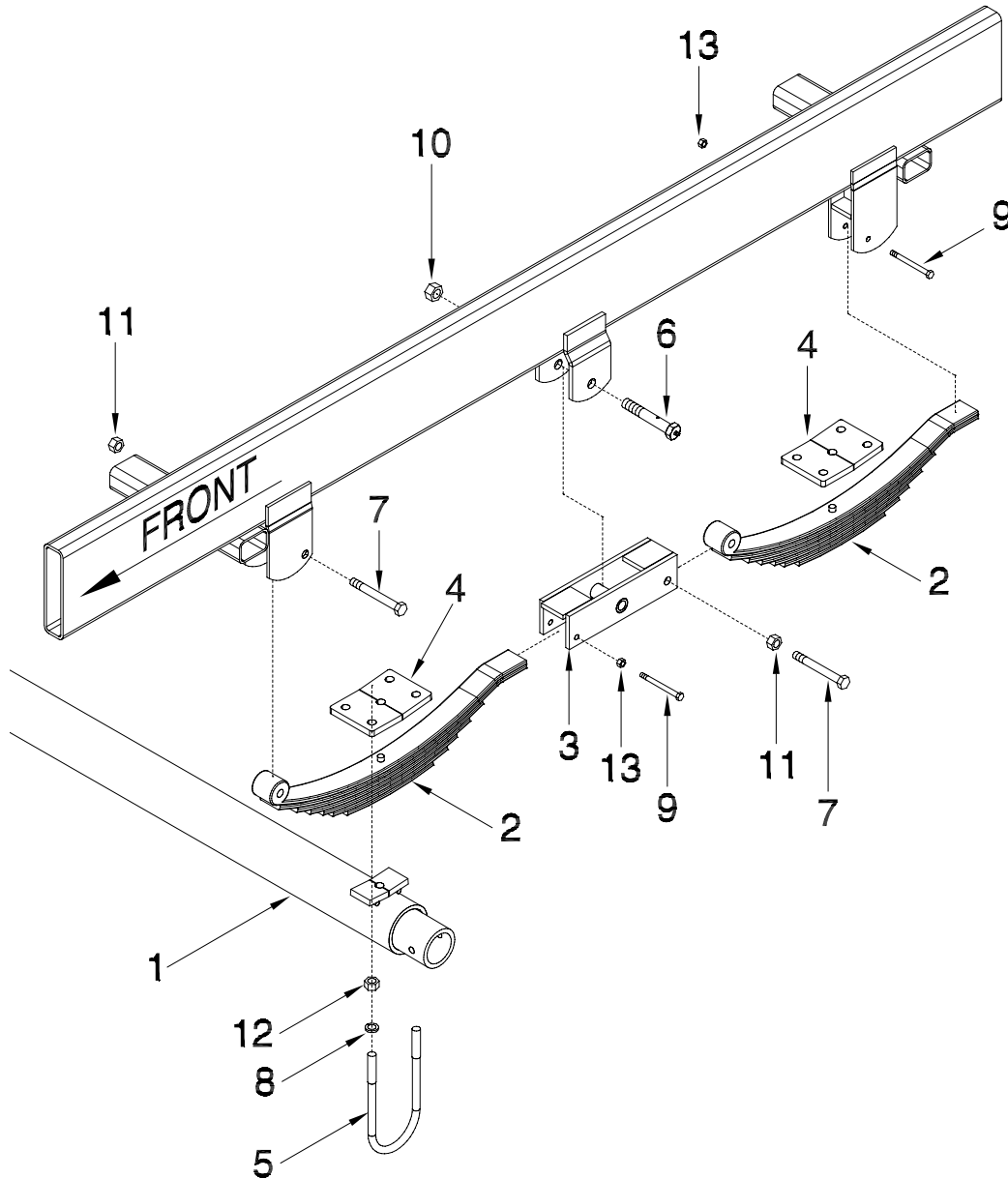
## Notes

# Section 3: Axle & Wheels

## Section Contents

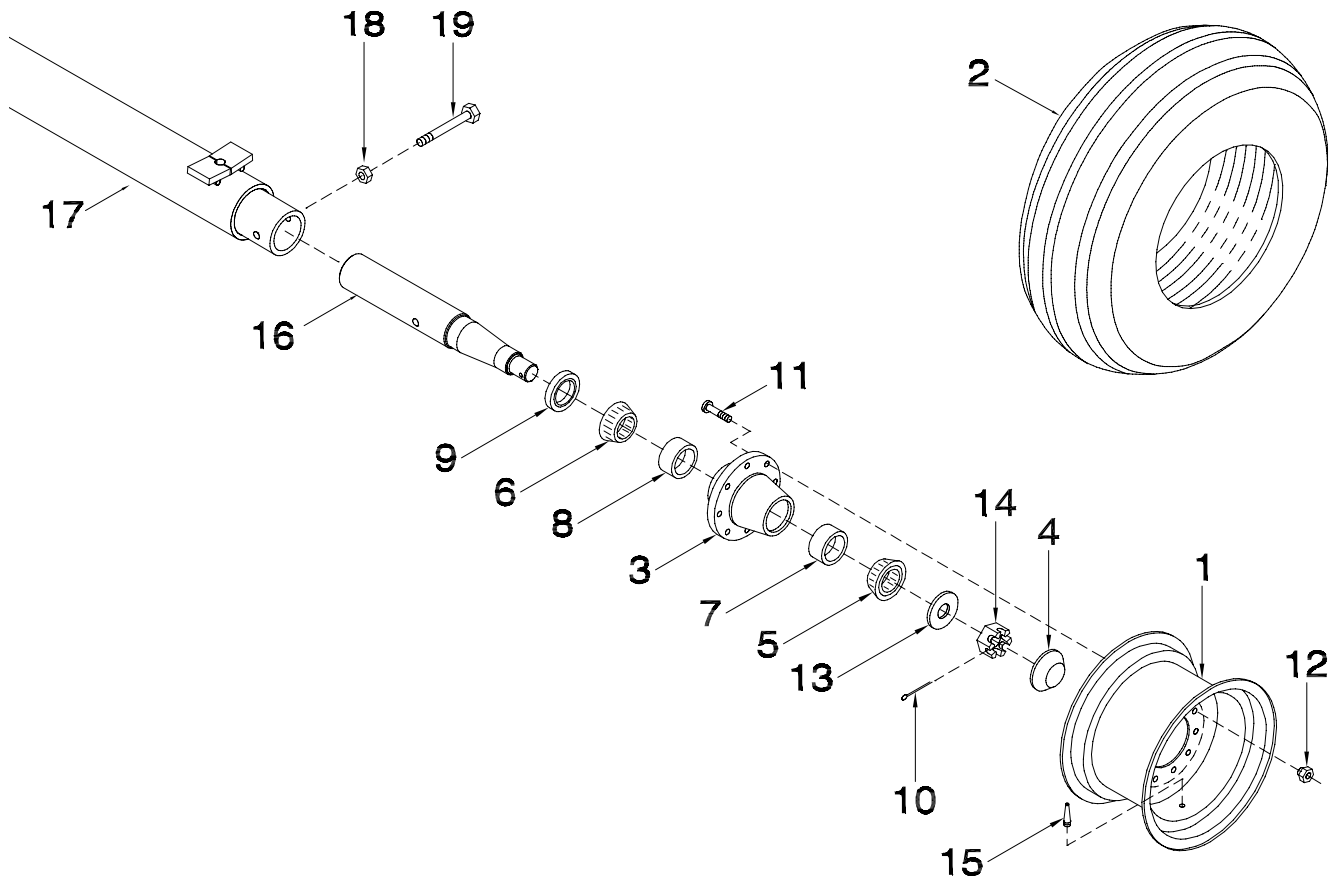
Axles .....	3-2
Wheels .....	3-3

## Axles & Wheels Axles



Item	Part No.	Description	Qty
1	K48283	Axle.....	2
2	K49075	Leaf Spring (Slipper Type).....	4
	K21129	Shackle Bushing (Not Shown).....	4
3	K-5700	Equalizer Arm.....	2
4	K48285	Spring Mounting Plate.....	4
5	K48287	U-Bolt - 5/8 x 4 1/2 x 9 Lg - 18 UNF.....	8
6	K-5693	Greaseable Bolt - 3/4 x 4 1/2 Lg - 16 UNF.....	2
7	K-5702	Hex Bolt - 5/8 x 3 5/8 Lg - 18 UNF.....	4
8	W-526	Lockwasher - 5/8.....	16
9	W-481	Hex Bolt - 3/8 x 3 1/2 Lg.....	4
10	K29464	Locknut - 3/4 - 16 UNF (Jam Clevlok).....	2
11	K-5703	Locknut - 5/8 - 18 UNF.....	4
12	C-708	Hex Nut - 5/8 - 18 UNF.....	16
13	M-3388	Locknut - 3/8.....	4

## Axles & Wheels Wheels



Quantities are per Axle Assembly

Item	Part No.	Description	Qty
1	C17355	Rim - 15 x 10 - 8 Bolt.....	2
2	C16609	Tire - 11L x 15 FI Load Range F (12 Ply Rating) .....	2
3	N36236	Non-Drive Hub (Includes Items 7, 8 and 11).....	2
4	N19171	Dust Cap .....	2
5	N19170	Outer Bearing Cone - LM501349 .....	2
6	N19169	Inner Bearing Cone - 387 AS .....	2
7	N19168	Outer Cup - LM501310.....	2
8	N19167	Inner Cup - 382 A.....	2
9	N19172	Shaft Seal - 2 1/2 (C/R #25108).....	2
10	W-4181	Cotter Pin - 1/4 x 2 .....	2
11	N36242	Wheel Stud - 5/8 - 18 UNF x 2 3/4.....	16
12	N19586	Tapered Wheel Nut - 5/8 - 18 UNF .....	16
13	D-5499	Washer - 1 5/16 ID x 2 3/4 OD x 9 Ga .....	2
14	N19484	Hex Slotted Nut - 1 1/4 - 12 UNF .....	2
15	C17348	Valve Stem (Not Shown) .....	2
16	N19166	Spindle - 2.5 Dia .....	2
17	K48283	Axle .....	2
18	F-3405	Locknut - 1/2 .....	2
19	W-494	Bolt - 1/2 x 3 3/4 Lg.....	2
	K46396	Axle Assembly (Includes all above items)	

## Notes

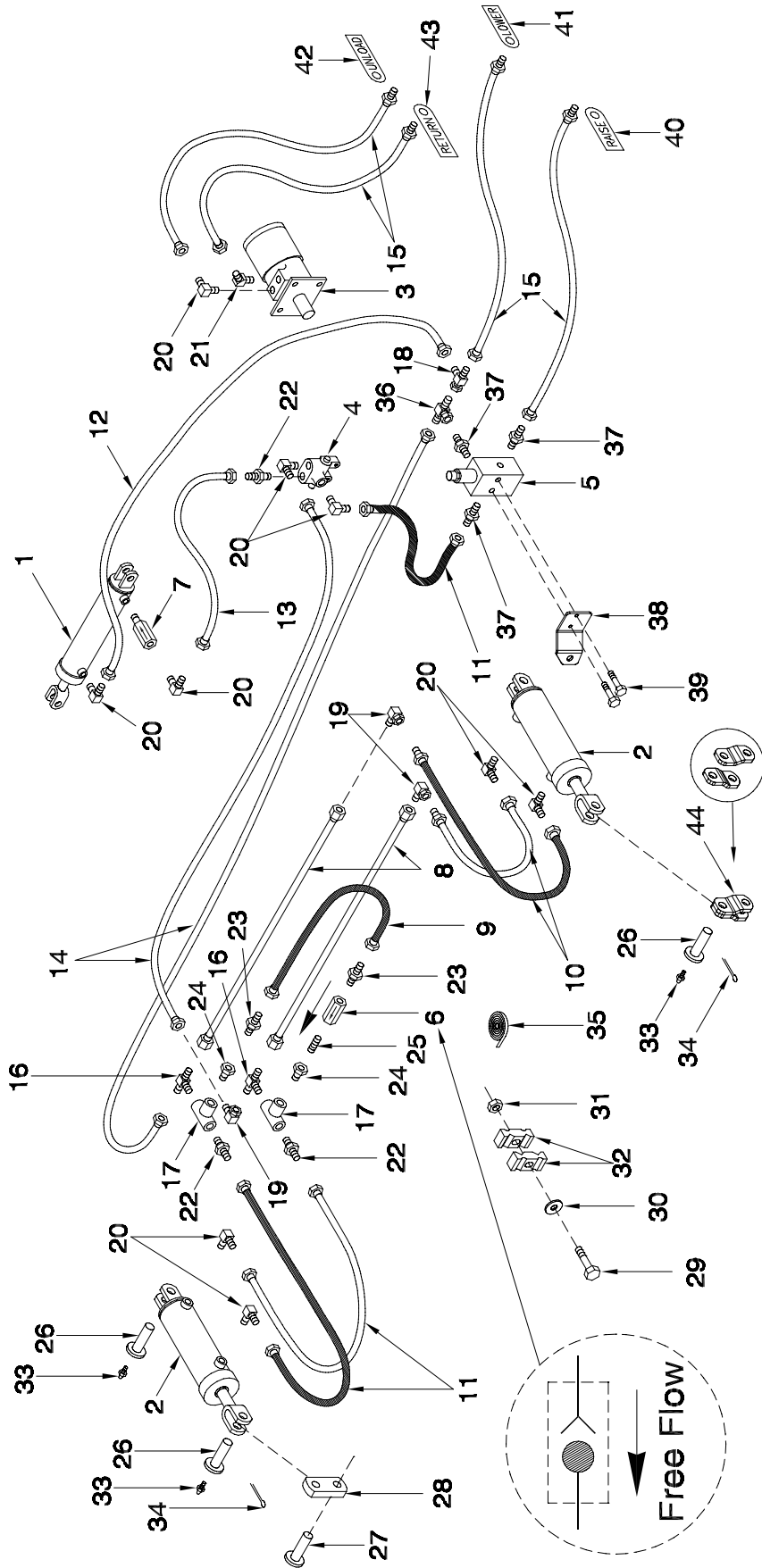


# Section 4: Hydraulics

## Section Contents

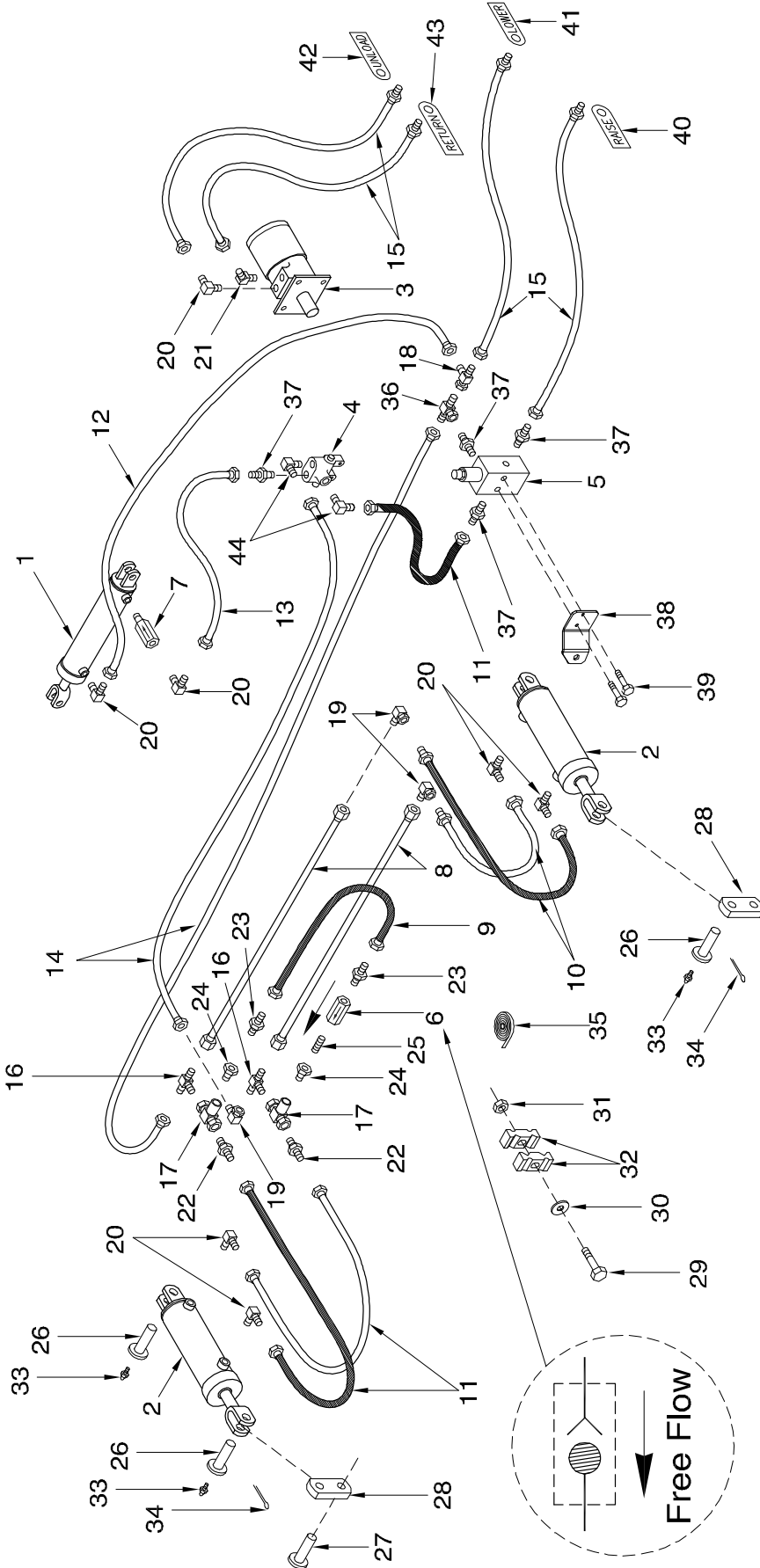
Hydraulics .....	4-2
Prior to 2012 .....	4-2
2012 .....	4-4
2013 - 2015 .....	4-6
2016 to Present .....	4-8
Cylinders .....	4-10
Relief Valve Kit .....	4-12

# Hydraulics Prior to 2012



## Hydraulics - Prior to 2012

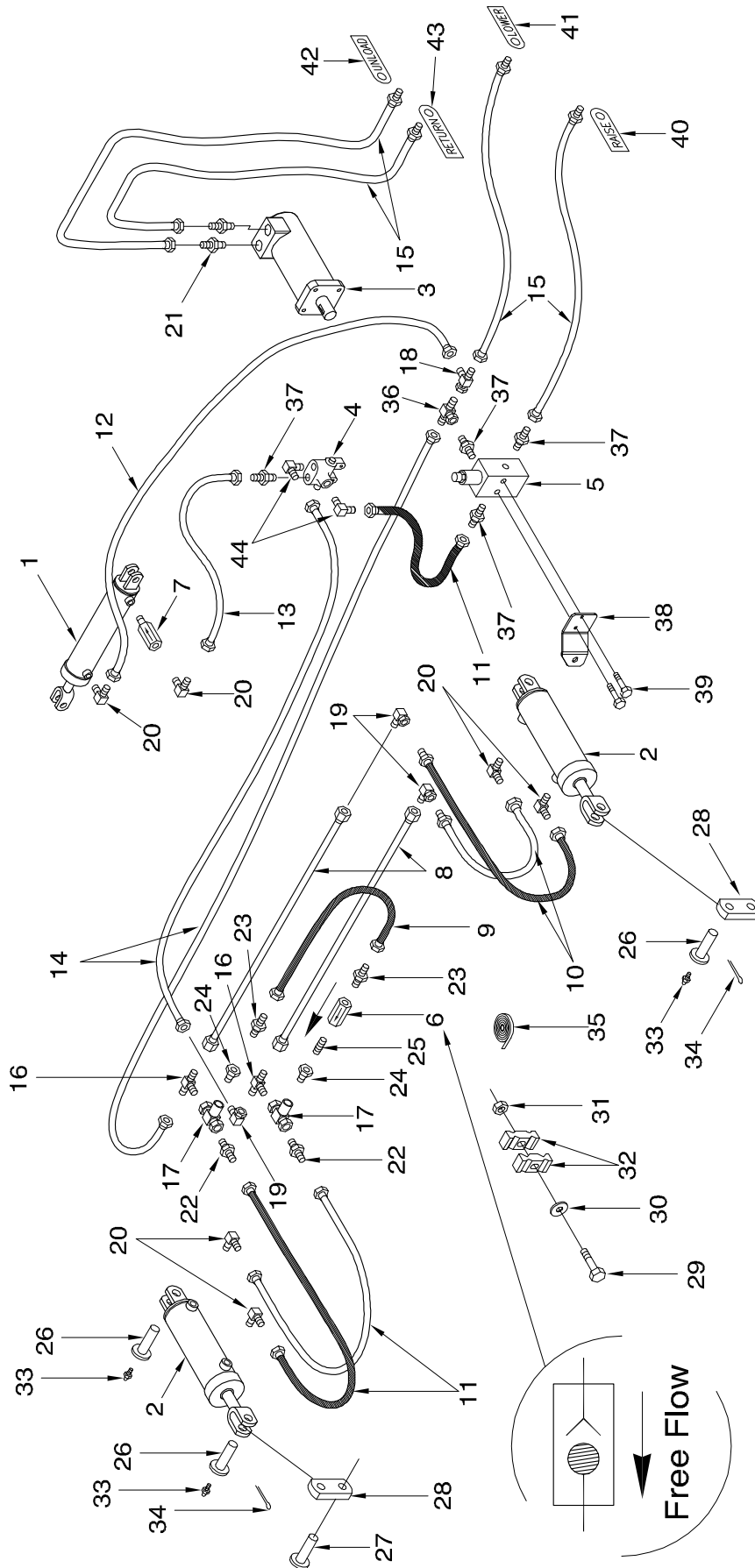
Item	Part No.	Description	Qty
1	C-2040	Hydraulic Cylinder - 3 x 12 BBP .....	1
2	C-2246	Hydraulic Cylinder - 3 1/2 x 8 .....	2
3	K-3813	Orbit Motor .....	1
	K12962	Seal Kit for K-3818 Orbit Motor .....	
	K15492	Mounting Flange for K-3818 Orbit Motor - 4 Bolt .....	
	K18593	Screw - 5/16 - 24 UNF x 7/8 - 12PT - for Mounting Flange .....	
	S-239	Woodruff Key - 1/4 x 7/8.....	
4	S-4730	Selector Valve.....	1
	N31601	Seal Kit.....	1
5	K37578	Relief Valve.....	1
6	K47702	Check Valve - 500 PSI.....	1
7	H25615	Flow Restrictor (FR-50-093).....	1
8	C-4363	Oil Line - 5/8 x 38 Lg w/ 7/8-14 FJIC .....	2
9	C-4467	Hyd Hose - 1/4 x 16 Lg w/ 9/16-18 FJIC .....	1
10	C-4387	Hyd Hose - 1/2 x 36 Lg w/ 7/8-14 FJIC Ends.....	2
11	C-4404	Hyd Hose - 1/2 x 36 Lg w/ 7/8-14FJIC Ends.....	3
12	K-5685	Hyd Hose - 1/2 x 48 Lg w/ 7/8-14 FJIC Ends.....	1
13	F-4565	Hyd Hose - 1/2 x 60 Lg w/ 7/8-14 FJIC Ends.....	1
14	H-4410	Hyd Hose - 1/2 x 96 Lg w/ 7/8-14 FJIC Ends.....	2
15	H-4479	Hyd Hose - 1/2 x 96 Lg w/ 7/8-14 FJIC x 1/2 MNPT Ends.....	4
16	C-4396	Male Tee - (2) 7/8-14 JIC x (1) 1/2 MNPT.....	3
17	C-3017	Female Tee - (3) 1/2 NPT .....	2
18	H18746	Swivel Tee - (2) 7/8-14 MJIC x (1) 7/8-14 FJIC .....	1
19	K-5806	90 deg Elbow - 7/8-14 MJIC x 7/8-14 FJIC .....	3
20	C-4400	90 deg Male Elbow 7/8-14 MJIC x 1/2 MNPT .....	9
21	C-4402	45 deg Male Elbow 7/8-14 JIC x 1/2 NPT .....	1
22	C-4399	Male Connector - 7/8-14 JIC x 1/2 NPT .....	3
23	C-4405	Male Connector - 9/16-18 JIC x 3/8 NPT .....	2
24	C-719	Adaptor - 1/2 MNPT x 3/8 FNPT .....	2
25	C-724	Nipple - 3/8 NPT .....	1
26	K-5694	Pin, Greaseable - 1 x 2 1/4 UL.....	4
27	W-558	Pin - 1 x 2 1/4 UL .....	2
28	K18500	Link .....	1
29	W-480	Bolt - 3/8 x 2 1/2 Lg Hex UNC.....	2
30	D-5498	Flat Washer - 3/8.....	2
31	W-538	Lock Nut - 3/8 UNC.....	2
32	C-4698	Nylon Oil Line Clamp .....	4
33	S-752	Grease Zerk - 1/4 x 28 UNF STR.....	4
34	W-4181	Cotter Pin - 1/4 x 2 Lg .....	6
35	W-3022	Teflon.....	1 Roll
36	F24559	Tee - (1) 7/8-14 FJIC x (2) 7/8-14 MJIC .....	1
37	C14840	Connector - 7/8-14 MJIC x 3/4-16 MORB .....	3
38	K37577	Bracket.....	1
39	K-3830	Hex Bolt - 1/4 x 1/2 Lg Bolt .....	2
40	K29976	Tag - Hose ID - Fork/Bed - RAISE.....	1
41	K29977	Tag - Hose ID - Fork/Bed - LOWER.....	1
42	K29978	Tag - Hose ID - Push Bar - Unload.....	1
43	K29979	Tag - Hose ID - Push Bar - Return .....	1
44	K45841	Link - Inner Fork.....	2



## Hydraulics - 2012

Item	Part No.	Description	Qty
1	C-2040	Hydraulic Cylinder - 3 x 12 BBP .....	1
2	C-2246	Hydraulic Cylinder - 3 1/2 x 8 .....	2
3	K-3813	Orbit Motor .....	1
	K12962	Seal Kit for K-3818 Orbit Motor .....	
	K15492	Mounting Flange for K-3818 Orbit Motor - 4 Bolt .....	
	K18593	Screw - 5/16 - 24 UNF x 7/8 - 12PT - for Mounting Flange .....	
	S-239	Woodruff Key - 1/4 x 7/8.....	
4	K50180	Selector Valve - 3/4 ORB Ports .....	1
	N31601	Seal Kit.....	1
5	K37578	Relief Valve - (Replace with K60239) .....	1
	<b>K60240</b>	<b>Kit: Check Valve Upgrade 900/1400 (Includes K60239, C15348, S34116)</b>	
6	K47702	Check Valve - 500 PSI.....	1
7	H25615	Flow Restrictor (FR-50-093).....	1
8	C-4363	Oil Line - 5/8 x 38 Lg w/ 7/8-14 FJIC .....	2
9	C-4467	Hyd Hose - 1/4 x 16 Lg w/ 9/16-18 FJIC .....	1
10	C-4387	Hyd Hose - 1/2 x 36 Lg w/ 7/8-14 FJIC Ends.....	2
11	C-4404	Hyd Hose - 1/2 x 36 Lg w/ 7/8-14FJIC Ends.....	3
12	K-5685	Hyd Hose - 1/2 x 48 Lg w/ 7/8-14 FJIC Ends.....	1
13	F-4565	Hyd Hose - 1/2 x 60 Lg w/ 7/8-14 FJIC Ends.....	1
14	H-4410	Hyd Hose - 1/2 x 96 Lg w/ 7/8-14 FJIC Ends.....	2
15	H-4479	Hyd Hose - 1/2 x 96 Lg w/ 7/8-14 FJIC x 1/2 MNPT Ends.....	4
16	C-4396	Male Tee - (2) 7/8-14 JIC x (1) 1/2 MNPT.....	3
17	C-3017	Female Tee - (3) 1/2 NPT .....	2
18	H18746	Swivel Tee - (2) 7/8-14 MJIC x (1) 7/8-14 FJIC .....	1
19	K-5806	90 deg Elbow - 7/8-14 MJIC x 7/8-14 FJIC .....	3
20	C-4400	90 deg Male Elbow 7/8-14 MJIC x 1/2 MNPT .....	7
21	C-4402	45 deg Male Elbow 7/8-14 JIC x 1/2 NPT .....	1
22	C-4399	Male Connector - 7/8-14 JIC x 1/2 NPT .....	2
23	C-4405	Male Connector - 9/16-18 JIC x 3/8 NPT .....	2
24	C-719	Adaptor - 1/2 MNPT x 3/8 FNPT .....	2
25	C-724	Nipple - 3/8 NPT .....	1
26	K-5694	Pin, Greaseable - 1 x 2 1/4 UL.....	4
27	W-558	Pin - 1 x 2 1/4 UL .....	2
28	K18500	Link .....	2
29	W-480	Bolt - 3/8 x 2 1/2 Lg Hex UNC.....	2
30	D-5498	Flat Washer - 3/8.....	2
31	W-538	Lock Nut - 3/8 UNC.....	2
32	C-4698	Nylon Oil Line Clamp .....	4
33	S-752	Grease Zerk - 1/4 x 28 UNF STR.....	4
34	W-4181	Cotter Pin - 1/4 x 2 Lg .....	6
35	W-3022	Teflon.....	1 Roll
36	F24559	Tee - (1) 7/8-14 FJIC x (2) 7/8-14 MJIC .....	1
37	C14840	Connector - 7/8-14 MJIC x 3/4-16 MORB .....	4
38	K37577	Bracket.....	1
39	K-3830	Hex Bolt - 1/4 x 1/2 Lg Bolt .....	2
40	K29976	Tag - Hose ID - Fork/Bed - RAISE.....	1
41	K29977	Tag - Hose ID - Fork/Bed - LOWER.....	1
42	K29978	Tag - Hose ID - Push Bar - Unload.....	1
43	K29979	Tag - Hose ID - Push Bar - Return .....	1
44	C24585	90 deg Elbow - 7/8-14 MJIC x 3/4-16 MORB .....	2

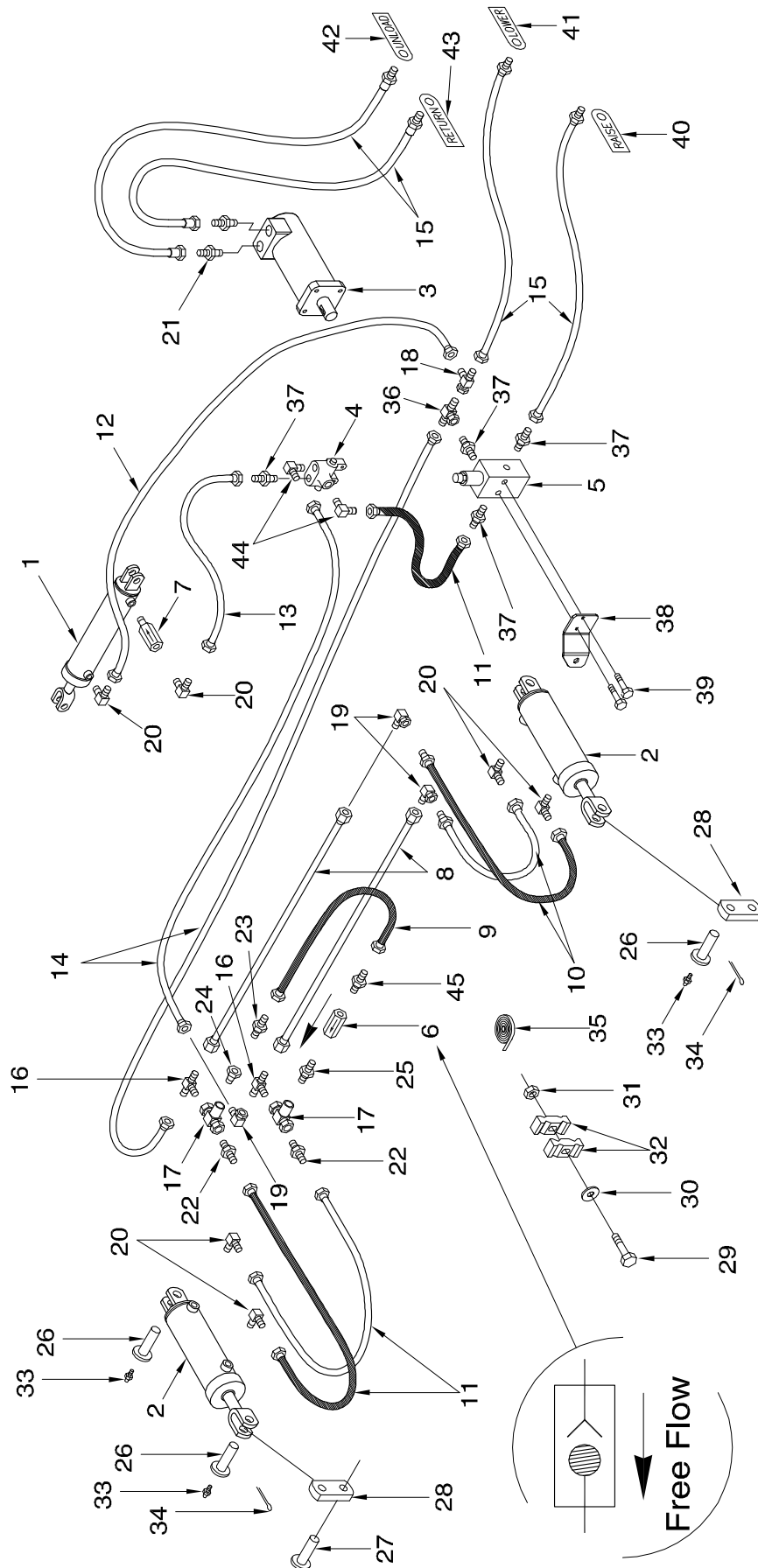
# Hydraulics 2013 - 2015



## Hydraulics - 2013 - 2015

Item	Part No.	Description	Qty
1	C-2040	Hydraulic Cylinder - 3 x 12 BBP .....	1
2	C-2246	Hydraulic Cylinder - 3 1/2 x 8 .....	2
3	K51555	Orbit Motor .....	1
	K51556	Seal Kit for K51555 Orbit Motor	
	K15492	Mounting Flange for K-3818 Orbit Motor - 4 Bolt	
	K18593	Screw - 5/16 - 24 UNF x 7/8 - 12PT - for Mounting Flange	
	S-239	Woodruff Key - 1/4 x 7/8	
4	K50180	Selector Valve - 3/4 ORB Ports .....	1
	N31601	Seal Kit	
5	K37578	Relief Valve.....	1
6	K47702	Check Valve - (Replace with K60239) .....	1
	<b>K60240</b>	<b>Kit: Check Valve Upgrade 900/1400 (Includes K60239, C15348, S34116)</b>	
7	H25615	Flow Restrictor (FR-50-093).....	1
8	C-4363	Oil Line - 5/8 x 38 Lg w/ 7/8-14 FJIC .....	2
9	C-4467	Hyd Hose - 1/4 x 16 Lg w/ 9/16-18 FJIC .....	1
10	C-4387	Hyd Hose - 1/2 x 36 Lg w/ 7/8-14 FJIC Ends.....	2
11	C-4404	Hyd Hose - 1/2 x 36 Lg w/ 7/8-14FJIC Ends.....	3
12	K-5685	Hyd Hose - 1/2 x 48 Lg w/ 7/8-14 FJIC Ends.....	1
13	F-4565	Hyd Hose - 1/2 x 60 Lg w/ 7/8-14 FJIC Ends.....	1
14	H-4410	Hyd Hose - 1/2 x 96 Lg w/ 7/8-14 FJIC Ends.....	2
15	H-4479	Hyd Hose - 1/2 x 96 Lg w/ 7/8-14 FJIC x 1/2 MNPT Ends.....	4
16	C-4396	Male Tee - (2) 7/8-14 JIC x (1) 1/2 MNPT.....	3
17	C-3017	Female Tee - (3) 1/2 NPT .....	2
18	H18746	Swivel Tee - (2) 7/8-14 MJIC x (1) 7/8-14 FJIC .....	1
19	K-5806	90 deg Elbow - 7/8-14 MJIC x 7/8-14 FJIC .....	3
20	C-4400	90 deg Male Elbow 7/8-14 MJIC x 1/2 MNPT .....	6
21	N34505	Male Connector - 7/8-14 MORB x 7/8-14 MJIC .....	2
22	C-4399	Male Connector - 7/8-14 JIC x 1/2 NPT .....	2
23	C-4405	Male Connector - 9/16-18 JIC x 3/8 NPT .....	2
24	C-719	Adaptor - 1/2 MNPT x 3/8 FNPT .....	2
25	C-724	Nipple - 3/8 NPT .....	1
26	K-5694	Pin, Greaseable - 1 x 2 1/4 UL.....	4
27	W-558	Pin - 1 x 2 1/4 UL .....	2
28	K18500	Link .....	2
29	W-480	Hex Bolt - 3/8 x 2 1/2 Lg.....	2
30	D-5498	Flat Washer - 3/8.....	2
31	W-538	Lock Nut - 3/8 UNC.....	2
32	C-4698	Nylon Oil Line Clamp .....	4
33	S-752	Grease Zerk - 1/4 x 28 UNF STR.....	4
34	W-4181	Cotter Pin - 1/4 x 2 Lg .....	6
35	W-3022	Teflon.....	1 Roll
36	F24559	Tee - (1) 7/8-14 FJIC x (2) 7/8-14 MJIC .....	1
37	C14840	Connector - 7/8-14 MJIC x 3/4-16 MORB .....	4
38	K37577	Bracket.....	1
39	K-3830	Hex Bolt - 1/4 x 1/2 Lg.....	2
40	K29976	Tag - Hose ID - Fork/Bed - RAISE.....	1
41	K29977	Tag - Hose ID - Fork/Bed - LOWER.....	1
42	K29978	Tag - Hose ID - Push Bar - Unload.....	1
43	K29979	Tag - Hose ID - Push Bar - Return .....	1
44	C24585	90 deg Elbow - 7/8-14 MJIC x 3/4-16 MORB .....	2

# Hydraulics 2016 to Present

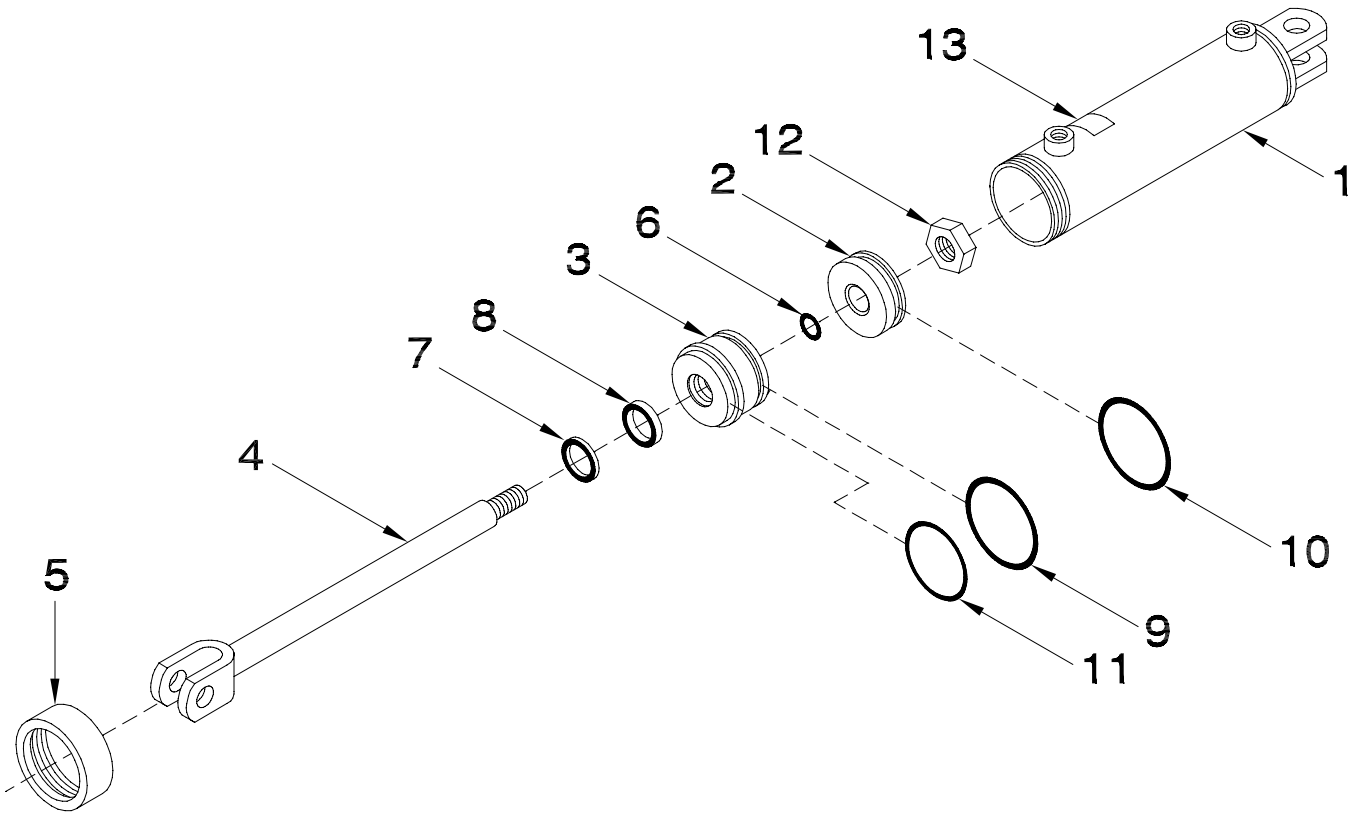




## Hydraulics - 2016 to Present

Item	Part No.	Description	Qty
1	C-2040	Hydraulic Cylinder - 3 x 12 BBP .....	1
2	C-2246	Hydraulic Cylinder - 3 1/2 x 8 .....	2
3	K51555	Orbit Motor .....	1
	K51556	Seal Kit for K51555 Orbit Motor	
	K15492	Mounting Flange for K-3818 Orbit Motor - 4 Bolt	
	K18593	Screw - 5/16 - 24 UNF x 7/8 - 12PT - for Mounting Flange	
	S-239	Woodruff Key - 1/4 x 7/8	
4	K50180	Selector Valve - 3/4 ORB Ports .....	1
	N31601	Seal Kit	
5	K37578	Relief Valve.....	1
6	K60239	Check Valve .....	1
7	H25615	Flow Restrictor (FR-50-093).....	1
8	C-4363	Oil Line - 5/8 x 38 Lg w/ 7/8-14 FJIC .....	2
9	C-4467	Hyd Hose - 1/4 x 16 Lg w/ 9/16-18 FJIC .....	1
10	C-4387	Hyd Hose - 1/2 x 36 Lg w/ 7/8-14 FJIC Ends.....	2
11	C-4404	Hyd Hose - 1/2 x 36 Lg w/ 7/8-14FJIC Ends.....	3
12	K-5685	Hyd Hose - 1/2 x 48 Lg w/ 7/8-14 FJIC Ends.....	1
13	F-4565	Hyd Hose - 1/2 x 60 Lg w/ 7/8-14 FJIC Ends.....	1
14	H-4410	Hyd Hose - 1/2 x 96 Lg w/ 7/8-14 FJIC Ends.....	2
15	H-4479	Hyd Hose - 1/2 x 96 Lg w/ 7/8-14 FJIC x 1/2 MNPT Ends.....	4
16	C-4396	Male Tee - (2) 7/8-14 JIC x (1) 1/2 MNPT.....	3
17	C-3017	Female Tee - (3) 1/2 NPT .....	2
18	H18746	Swivel Tee - (2) 7/8-14 MJIC x (1) 7/8-14 FJIC .....	1
19	K-5806	90 deg Elbow - 7/8-14 MJIC x 7/8-14 FJIC .....	3
20	C-4400	90 deg Male Elbow 7/8-14 MJIC x 1/2 MNPT .....	6
21	N34505	Male Connector - 7/8-14 MORB x 7/8-14 MJIC .....	2
22	C-4399	Male Connector - 7/8-14 JIC x 1/2 NPT .....	2
23	C-4405	Male Connector - 9/16-18 JIC x 3/8 NPT .....	1
24	C-719	Adaptor - 1/2 MNPT x 3/8 FNPT .....	1
25	S34116	Connector - 1/2 MNPT x 3/4-16 MORB .....	1
26	K-5694	Pin, Greaseable - 1 x 2 1/4 UL.....	4
27	W-558	Pin - 1 x 2 1/4 UL .....	2
28	K18500	Link .....	2
29	W-480	Hex Bolt - 3/8 x 2 1/2 Lg.....	2
30	D-5498	Flat Washer - 3/8.....	2
31	W-538	Lock Nut - 3/8 UNC.....	2
32	C-4698	Nylon Oil Line Clamp .....	4
33	S-752	Grease Zerk - 1/4 x 28 UNF STR.....	4
34	W-4181	Cotter Pin - 1/4 x 2 Lg .....	6
35	W-3022	Teflon.....	1 Roll
36	F24559	Tee - (1) 7/8-14 FJIC x (2) 7/8-14 MJIC .....	1
37	C14840	Connector - 7/8-14 MJIC x 3/4-16 MORB .....	4
38	K37577	Bracket.....	1
39	K-3830	Hex Bolt - 1/4 x 1/2 Lg.....	2
40	K29976	Tag - Hose ID - Fork/Bed - RAISE.....	1
41	K29977	Tag - Hose ID - Fork/Bed - LOWER.....	1
42	K29978	Tag - Hose ID - Push Bar - Unload.....	1
43	K29979	Tag - Hose ID - Push Bar - Return .....	1
44	C24585	90 deg Elbow - 7/8-14 MJIC x 3/4-16 MORB .....	2
45	C15348	Connector - 9/16-18 MJIC x 3/4-16 MORB .....	1

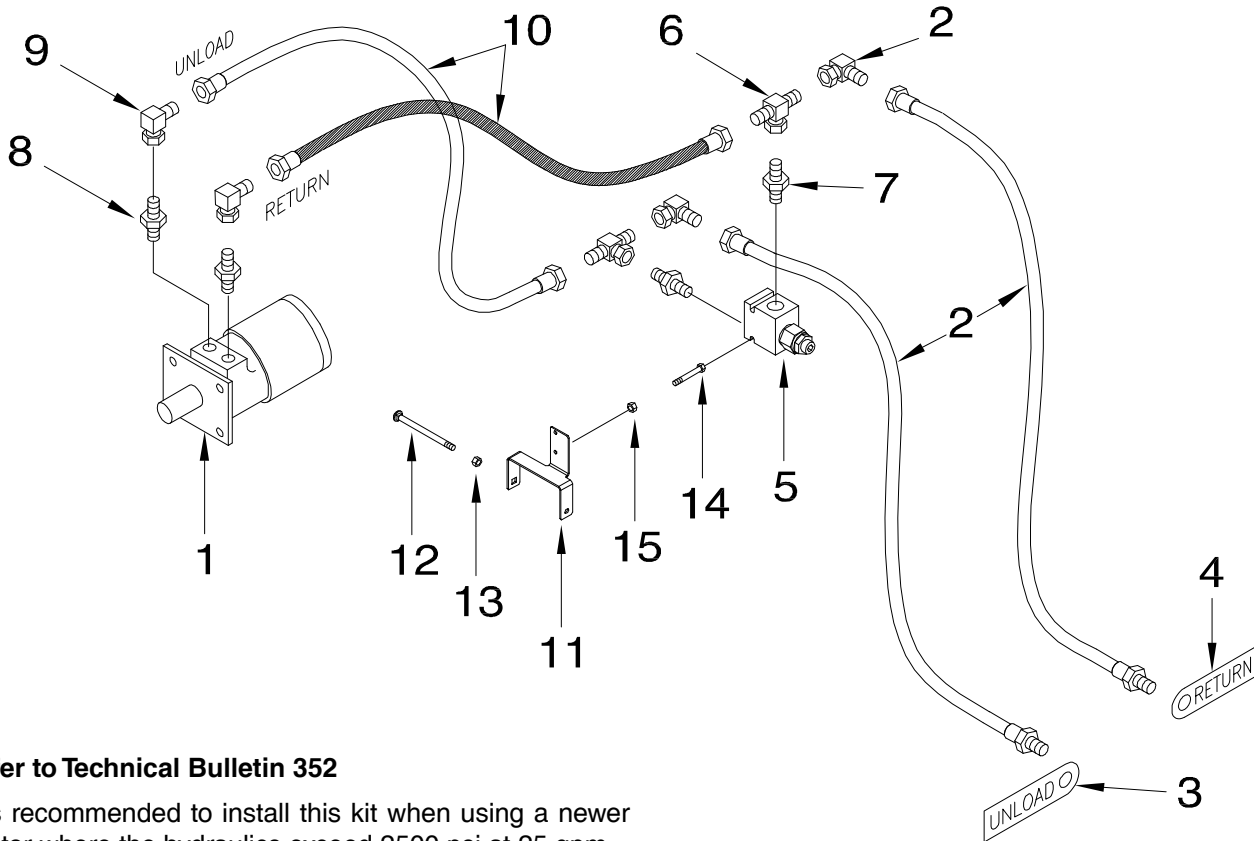
# Hydraulics Cylinders



## Hydraulics - Cylinders

Item	Part No.	Description	Qty
<b>C-2246 - 3 1/2 x 8 - AG CYLINDER</b>			
1	C-2189	Barrel .....	1
2	C-2039	Piston .....	1
3	C-2037	Gland .....	1
4	C-2239	Shaft - 1 1/4 Dia .....	1
5	C-2028	Collar.....	1
6	C-2016	Shaft Static Seal.....	1
7	C-2007	Shaft Wiper.....	1
8	C-2008	Shaft Seal.....	1
9	C-2029	Gland Static Seal .....	1
10	C-2022	Piston Seal.....	1
11	C-2214	O-Ring.....	1
12	C-2017	Shaft Nut - 7/8.....	1
13	C-2247	Part No Plate.....	1
	C-2246	Cylinder Assembly (Includes All Above Items)	
	C-2036	Seal Kit (Includes Items 6, 7, 8, 9, 10 & 11)	
<b>C-2040 - 3 x 12 - GLAND-BY-PASS CYLINDER</b>			
1	C-2047	Barrel .....	1
2	C-2014	Piston .....	1
3	C-2010	Gland .....	1
4	C-2027	Shaft.....	1
5	C-2009	Collar.....	1
6	C-2016	Shaft Static Seal.....	1
7	C-2007	Shaft Wiper.....	1
8	C-2008	Shaft Seal.....	1
9	C-2012	Gland Static Seal .....	1
10	C-2015	Piston Seal.....	1
11	C-2214	O-Ring.....	1
12	C-2017	Shaft Nut .....	1
13	C-2048	Part No Plate.....	1
	C-2040	Cylinder Assembly (Includes All Above Items)	
	C-2002	Seal Kit (Includes Items 6, 7, 8, 9, 10 & 11)	

## Hydraulics Relief Valve Kit



**Refer to Technical Bulletin 352**

It is recommended to install this kit when using a newer tractor where the hydraulics exceed 2500 psi at 25 gpm.

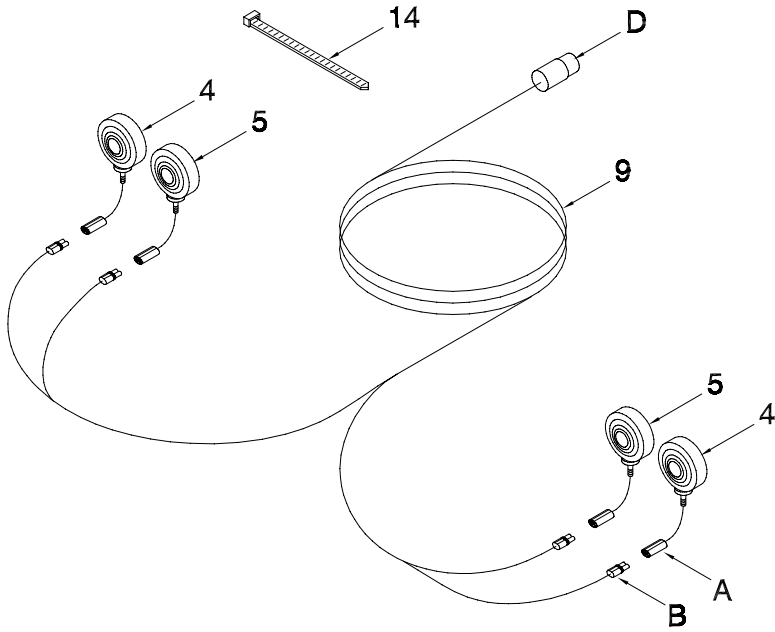
Item	Part No.	Description	Qty
1	K-3813	Orbit Motor .....	1
2	H-4479	Hyd Hose - 1/2 x 96 Lg w/ 7/8-14 FJIC x 1/2 MNPT Ends.....	2
3	K29978	Tag - Hose ID - Push Bar - Unload.....	1
4	K29979	Tag - Hose ID - Push Bar - Return .....	1
5	K50376	Relief Valve - Bi-Directional .....	1
6	F24559	Tee - (1) 7/8-14 FJIC x (2) 7/8-14 MJIC (MFM).....	2
7	C14840	Connector - 7/8-14 MJIC x 3/4-16 MORB .....	2
8	C-4399	Connector - 7/8-14 JIC x 1/2 NPT .....	2
9	K-5806	90 deg Elbow - 7/8-14 MJIC x 7/8-14 FJIC.....	4
10	N34366	Hyd Hose - 1/2 x 12 w/ 7/8-14FJIC.....	2
11	K50371	Valve Mount.....	1
12	J12345	Carriage Head Bolt - 3/8 X 6 Lg.....	1
13	M-3388	Locknut - 3/8 Unitorque.....	1
14	C-1471	Hex Bolt - 1/4 X 1 3/4 Lg.....	2
15	N42510	Locknut - 1/4 Flanged Center Lock.....	2
	K46404	Kit - Relief Valve (Includes items 5 to 15)	

# Section 5: Lighting and Safety Signs

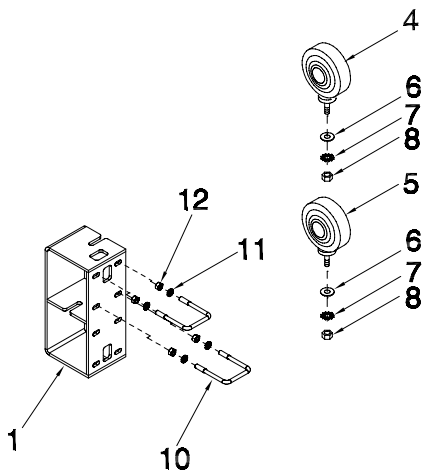
## Section Contents

Marking Lights.....	5-2
Safety Signs.....	5-4

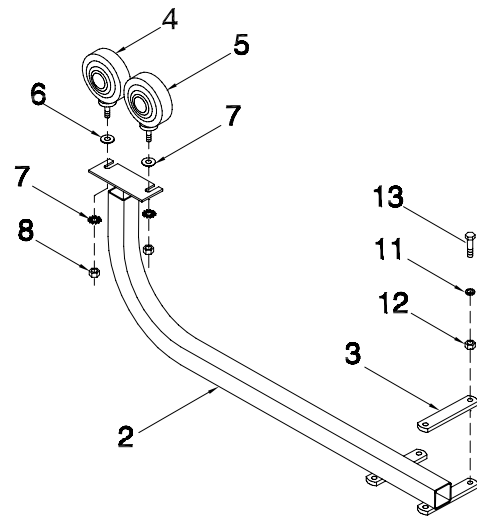
# Lighting Marking Lights



**900 HAY HIKER with SIDE RAILS**



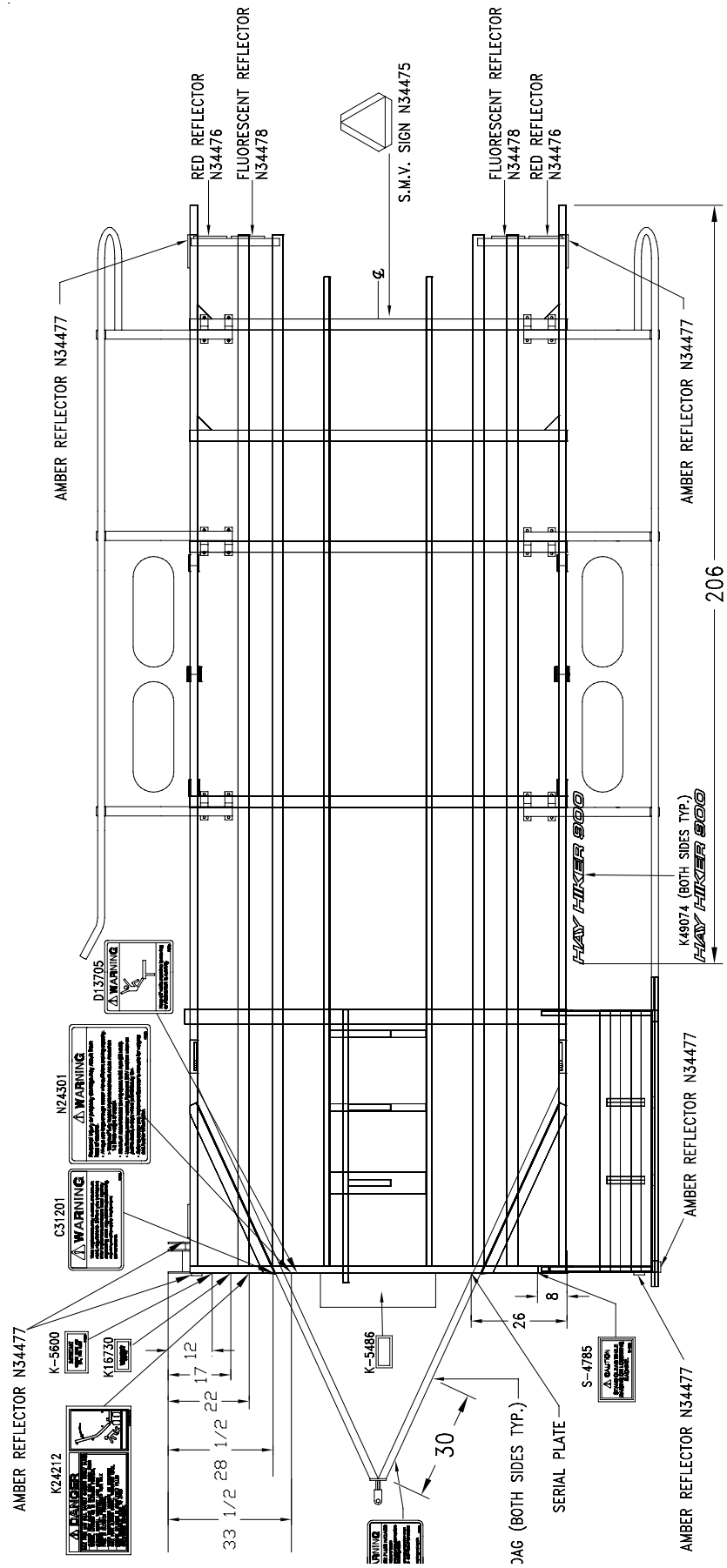
**900 HAY HIKER without SIDE RAILS**



## Lighting - Marking Lights

Item	Part No.	Description	Qty
1	K37581	Bracket - Mounting .....	2
2	K31994	Bracket - Mounting .....	2
3	N19109	Strap - Mounting .....	4
4	C32765	Light - Amber .....	2
5	C32766	Light - Red .....	2
6	W-539	Flat Washer - 1/2 .....	1
7	D-5280	Star Washer - 1/2 .....	2
8	W-516	Hex Nut - 1/2 .....	1
9	C31437	Wiring Harness - Main .....	1
10	N34950	U - Bolt - 3/8x 2 1/2 x 3 1/2 UL .....	2
11	W-523	Lockwasher - 3/8 .....	8
12	W-514	Hex Nut - 3/8 .....	8
13	W-481	Hex Bolt - 3/8 x 3 1/2 lg .....	8
14	D-4951	Nylon Tie Strap - 7 3/8 lg .....	5
14A	D-4838	Nylon Tie Strap - 14 1/2 lg .....	20
	C32761	Red Acrylic Lens	
	C32762	Amber Acrylic Lens	
	C32515	Bulb - #1156	
A	C32681	Receptacle Connector Assembly - GRAY - 2 Pin	
B	C32682	Plug Connector Assembly - GRAY - 2 Pin	
D	C32690	Connector Assembly - 7 Pin Plug (Complete with Cable Protector Spring)	
	C32688	Interior - Plug - 7 Pin Connector	
	C32689	Cable Protector Spring - Plug - 7 Pin Connector	
		ORDER KITS THROUGH PARTS ONLY	
	K30753	900 Hay Hiker with Side Rails Light Kit-Includes items 1, 4-9, 10, 11-16A	
	K31995	900 Hay Hiker without Side Rails Light Kit-Includes items 2, 3, 4-9, 11-13, 14 and 14A	

# Safety Signs



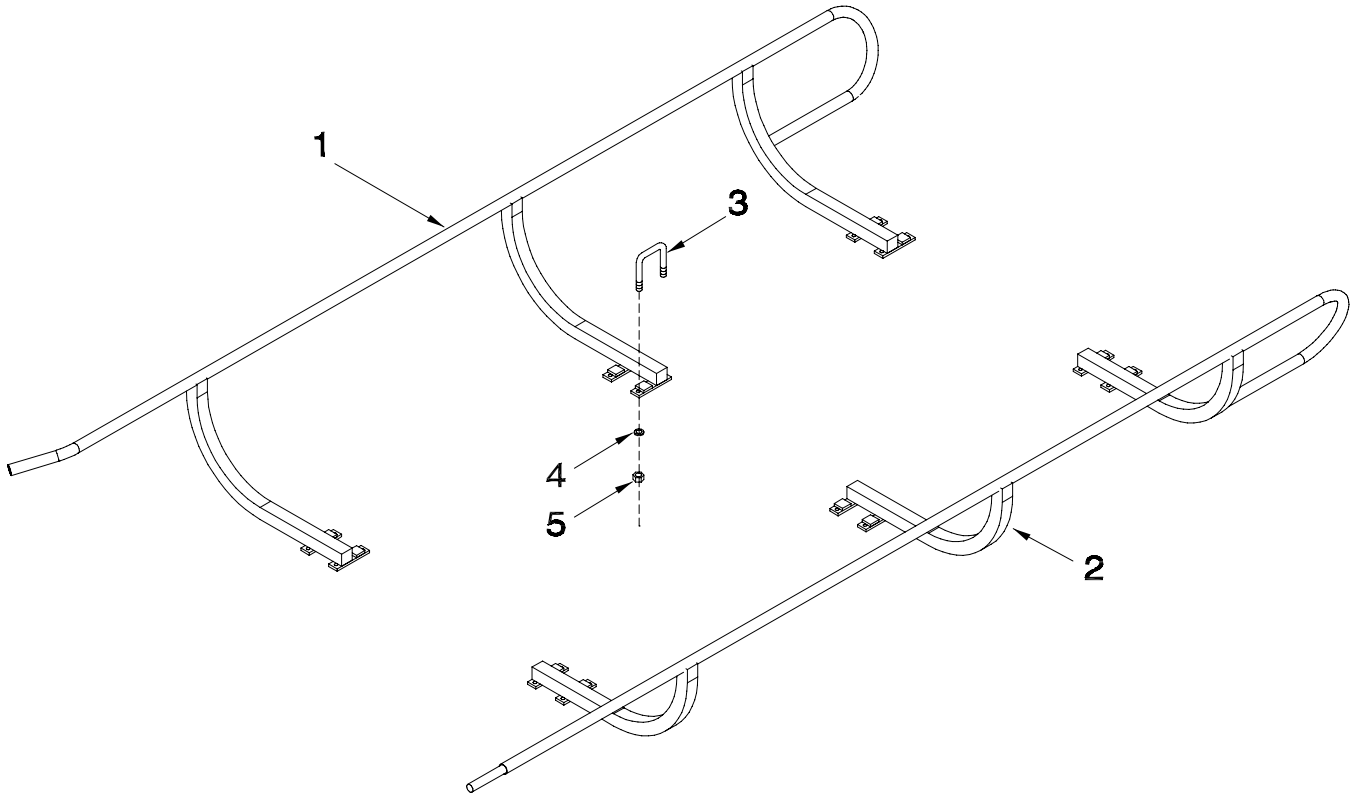


# Section 6: Options

## Section Contents

Side Rail Kit.....	6-2
--------------------	-----

## Options Side Rail Kit



Item	Part No.	Description	Qty
1	K29160	Right Side Rail .....	1
2	K29165	Left Side Rail.....	1
3	K29164	U-Bolt - 5/8.....	12
4	W-526	Lockwasher - 5/8.....	24
5	W-517	Hex Nut - 5/8.....	24
	K29177	Side Rail Kit (Includes All Above Items)	
		Kits must be ordered through Wholegoods	

# Index

## C

C-219 2-3  
 C-705 1-3  
 C-708 3-2  
 C-719 4-5, 4-7, 4-9  
 C-724 4-5, 4-7  
 C-852 , 2-5, 2-9, 2-11  
 C-1471 4-12  
 C-1472 2-3  
 C-1526 , 2-5, 2-9, 2-11  
 C-2002 4-11  
 C-2007 4-11  
 C-2008 4-11  
 C-2009 4-11  
 C-2010 4-11  
 C-2012 4-11  
 C-2014 4-11  
 C-2015 4-11  
 C-2016 4-11  
 C-2017 4-11  
 C-2022 4-11  
 C-2027 4-11  
 C-2028 4-11  
 C-2029 4-11  
 C-2036 4-11  
 C-2037 4-11  
 C-2039 4-11  
 C-2040  
 , 1-3, 4-3, 4-7, 4-9, 4-11  
 C-2047 4-11  
 C-2048 4-11  
 C-2189 4-11  
 C-2214 4-11  
 C-2239 4-11  
 C-2246  
 4-3, 4-5, 4-7, 4-9, 4-11  
 C-2247 4-11  
 C-3017 4-3, 4-5, 4-7, 4-9  
 C-3919 , 2-5, 2-9, 2-11  
 C-4262 1-3  
 C-4363 4-3, 4-5, 4-7, 4-9  
 C-4387 4-3, 4-5, 4-7, 4-9  
 C-4396 4-3, 4-5, 4-7, 4-9  
 C-4399  
 4-3, 4-5, 4-7, 4-9, 4-12  
 C-4400 4-3, 4-5, 4-7, 4-9  
 C-4402 4-3, 4-5  
 C-4404 4-3, 4-5, 4-7, 4-9  
 C-4405 4-3, 4-5, 4-7, 4-9  
 C-4467 4-3, 4-5, 4-7, 4-9  
 C-4698 4-3, 4-5, 4-7, 4-9  
 C14840  
 4-3, 4-5, 4-7, 4-9, 4-12  
 C16609 3-3  
 C17348 3-3

C17355 3-3  
 C18757 1-3  
 C18758 1-3  
 C18760 1-3  
 C24585 4-5, 4-7, 4-9  
 C31201 1-3  
 C31437 5-3  
 C32515 5-3  
 C32681 5-3  
 C32682 5-3  
 C32688 5-3  
 C32689 5-3  
 C32690 5-3  
 C32761 5-3  
 C32762 5-3  
 C32765 5-3  
 C32766 5-3

## D

D-4838 5-3  
 D-4951 5-3  
 D-5259 1-3  
 D-5275 , 1-3, 2-5, 2-9, 2-11  
 D-5280 5-3  
 D-5488 2-3  
 D-5489 , 2-5, 2-9, 2-11  
 D-5498 4-3, 4-5, 4-7, 4-9  
 D-5499 3-3  
 D-5519 1-3  
 D-5558 2-7, 2-11  
 D-5579 2-3

## F

F-3405 1-3, 2-3, 3-3  
 F-4565 4-3, 4-5, 4-7, 4-9  
 F24559  
 4-3, 4-5, 4-7, 4-9, 4-12

## H

H-4410 4-3, 4-5, 4-7, 4-9  
 H-4479  
 4-3, 4-5, 4-7, 4-9, 4-12  
 H10462 1-4  
 H18746 4-3, 4-5, 4-7, 4-9  
 H25615 4-3, 4-5, 4-7, 4-9  
 H59985 1-4

## J

J12217 2-3  
 J12345 4-12

## K

K-3801 1-3  
 K-3813

, 2-3, 4-3, 4-7, 4-9, 4-12  
 K-3821 2-3  
 K-3830 4-3, 4-5, 4-7, 4-9  
 K-4568 2-3  
 K-5333 2-3  
 K-5335 2-3  
 K-5336 2-3  
 K-5337 2-3  
 K-5340 , 2-5, 2-9, 2-11  
 K-5341 , 2-5, 2-9, 2-11  
 K-5342 2-3  
 K-5343 2-3  
 K-5345 1-3  
 K-5347 1-3  
 K-5348 2-3  
 K-5350 2-3  
 K-5351 2-3  
 K-5352 2-3  
 K-5358 2-3  
 K-5363 2-3  
 K-5365 2-3  
 K-5366 2-3  
 K-5367 1-3  
 K-5476 2-3  
 K-5477 2-3  
 K-5478 1-3  
 K-5486 2-3  
 K-5567 2-3  
 K-5685 4-3, 4-5, 4-7, 4-9  
 K-5693 3-2  
 K-5694 4-3, 4-5, 4-7, 4-9  
 K-5700 3-2  
 K-5702 3-2  
 K-5703 3-2  
 K-5806  
 4-3, 4-5, 4-7, 4-9, 4-12  
 K-5827 1-3  
 K11163 1-3  
 K11167 1-3  
 K12536 2-3  
 K12962 4-3, 4-5  
 K15492 4-3, 4-5, 4-7, 4-9  
 K18500 4-3, 4-5, 4-7, 4-9  
 K18593 4-3, 4-5, 4-7, 4-9  
 K21129 3-2  
 K21447 , 2-5, 2-9, 2-11  
 K21986 , 2-5, 2-9, 2-11  
 K24212 1-3  
 K24350 2-3  
 K25638 , 2-5  
 K25655 2-3  
 K25656 2-3  
 K25657 2-3  
 K25658 2-3  
 K25837 2-3  
 K25838 2-3

K29160 6-2  
 K29164 6-2  
 K29165 6-2  
 K29170 1-3  
 K29177 6-2  
 K29464 3-2  
 K29976 4-3, 4-5, 4-7, 4-9  
 K29977 4-3, 4-5, 4-7, 4-9  
 K29978  
 4-3, 4-5, 4-7, 4-9, 4-12  
 K29979  
 4-3, 4-5, 4-7, 4-9, 4-12  
 K30753 5-3  
 K31994 5-3  
 K31995 5-3  
 K34954 , 2-5  
 K34960 , 2-5, 2-9, 2-11  
 K37577 4-3, 4-5, 4-7, 4-9  
 K37578 4-3, 4-5, 4-7, 4-9  
 K37581 5-3  
 K40350 1-3  
 K40353 2-9, 2-11  
 K40355 2-9, 2-11  
 K40360 2-9, 2-11  
 K40362 1-3  
 K40365 2-3  
 K45840 2-5, 2-9  
 K45841 2-7, 2-9  
 K46396 3-3  
 K46404 4-12  
 K47702 4-3, 4-5, 4-7  
 K47728 1-3  
 K48283 3-3  
 K50106 2-7, 2-11  
 K50109 2-7, 2-11  
 K50180 4-5, 4-7, 4-9  
 K50371 4-12  
 K50375 2-3  
 K50376 4-12  
 K51555 2-3, 4-7, 4-9  
 K51556 4-7, 4-9  
 K60240 4-5, 4-7

## M

M-3388 4-12, 2-3, 3-2

## N

N19109 5-3  
 N19166 3-3  
 N19167 3-3  
 N19168 3-3  
 N19169 3-3  
 N19170 3-3  
 N19171 3-3  
 N19172 3-3

N19307 2-7,2-11	W-517		
N19484 3-3	, 2-3, 2-5, 2-9, 2-11, 6-2		
N19586 3-3	W-518 1-3		
N24301 1-3	W-520 1-3, 2-3		
N25463 2-3	W-522 1-3, 2-3		
N31601 4-3, 4-5, 4-7, 4-9	W-523		
N34366 4-12	, 2-3, 1-3, 2-5, 2-9, 2-11, 5-3		
N34476 1-3	W-525		
N34477 1-3	, 2-3, 1-3, 2-5, 2-9, 2-11		
N34478 1-3	W-526		
N34505 4-7, 4-9	, 2-3, 2-5, 2-9, 2-11, 3-2, 6-2		
N34950 5-3	W-527 1-3		
N36236 3-3	W-535 2-5, 2-9		
N36242 3-3	W-538 , 2-3, 4-5, 4-7, 4-9		
N42510 4-12	W-539 1-3, 5-3		
<b>S</b>	W-540 2-3		
S-91 2-3	W-546 1-3		
S-239 , 2-3, 4-3, 4-7, 4-9	W-554 2-3		
S-711 2-3	W-558		
S-748 2-3	, 1-3, 2-5, 4-7, 4-9, 2-9		
S-752	W-575 2-3		
, 2-7, 2-11, 2-5, 4-7, 4-9, 2-9	W-619 , 2-5, 2-9, 2-11		
S-1115 2-3	W-793 , 2-5, 2-9, 2-11		
S-1197 , 2-5, 2-9, 2-11	W-807 2-3		
S-1203 2-3	W-808 2-3		
S-4730 , 2-3	W-861 2-3		
S-4785 1-3	W-1039 1-3		
S10730 2-3	W-1902 2-3		
<b>W</b>	W-3022 4-3, 4-5, 4-7, 4-9		
W-131 1-4, 2-5, 2-9	W-4181 , 3-3, 1-3, 4-7, 4-9		
W-187 , 2-5, 2-9, 2-11	W14503 , 2-5, 2-9, 2-11		
W-342 2-3	W14504 2-3		
W-475 2-3			
W-477 2-3			
W-479 2-3			
W-480 , 1-3, 4-5, 4-7, 4-9			
W-481 3-2, 5-3			
W-485 1-3			
W-487 , 2-3, 2-5, 2-9, 2-11			
W-488 2-3			
W-490 2-3			
W-492 2-3			
W-493 1-3			
W-494 3-3			
W-495 1-3			
W-498 2-3			
W-499 , 2-3, 2-5, 2-9, 2-11			
W-502 2-3			
W-506 , 2-5, 2-9, 2-11			
W-509 1-3			
W-513 1-3, 2-3			
W-514			
, 2-3, 1-3, 2-5, 2-9, 2-11, 5-3			
W-516			
, 2-3, 1-3, 2-5, 2-9, 2-11, 5-3			





Morris Industries (USA) Inc.  
P.O. Box 1117  
Minot, ND 58702-1117  
Phone: 866-663-8515  
Fax: 866-663-8535  
Web [www.morris-industries.com/proag](http://www.morris-industries.com/proag)

It is the policy of PROAG to improve its products whenever it is possible to do so. PROAG reserves the right to make changes or add improvements at any time without incurring any obligation to make such changes on machines sold previously.