



PARTS MANUAL

**1998 to 2017
HD4SR and 12SR
Auto Align Bale Skoop**

K34991-04

Table of Contents

Section 1:	
Parts Breakdown	1-1
Bale Skoop Final Assembly.....	1-2
Loader Assembly.....	1-4
12SR - Grab Hook Assembly - 2014 to Present.....	1-6
12SR - Grab Hook Assembly - 2002 to 2013.....	1-8
Grab Hook Assembly - 1998 to 2001	1-10
HD4SR - Short Alignment Arm Assembly.....	1-12
12SR - Medium Alignment Arm Assembly.....	1-13
Bed Assembly	1-14
Frame Assembly.....	1-16
Bed Rest Assembly	1-18
Hitch Assembly.....	1-20
Implement Tire and Axle Assembly - Prior to 2015	1-22
Truck Tire and Axle Assembly - Prior to 2015.....	1-24
Terra Tire and Axle Assembly - Prior to 2015	1-26
Terra Tire and Axle Assembly - 2015 to Present.....	1-28
HD4SR Hydraulic Hose Schematic.....	1-30
12SR Hydraulic Hose Schematic - 2015 to Present	1-32
12SR Hydraulic Hose Schematic - 2014 to 2015.....	1-34
12SR Hydraulic Hose Schematic - 2004 to 2013.....	1-36
12SR Hydraulic Hose Schematic - 2001 to 2003	1-38
12SR Hydraulic Hose Schematic - 2000	1-40
12SR Hydraulic Hose Schematic - 1998 to 1999	1-42
Cylinder Specification Sheet	1-44
Electrical Warning Assembly	1-46
Electrical Assembly	1-47
Index	i

Table of Contents

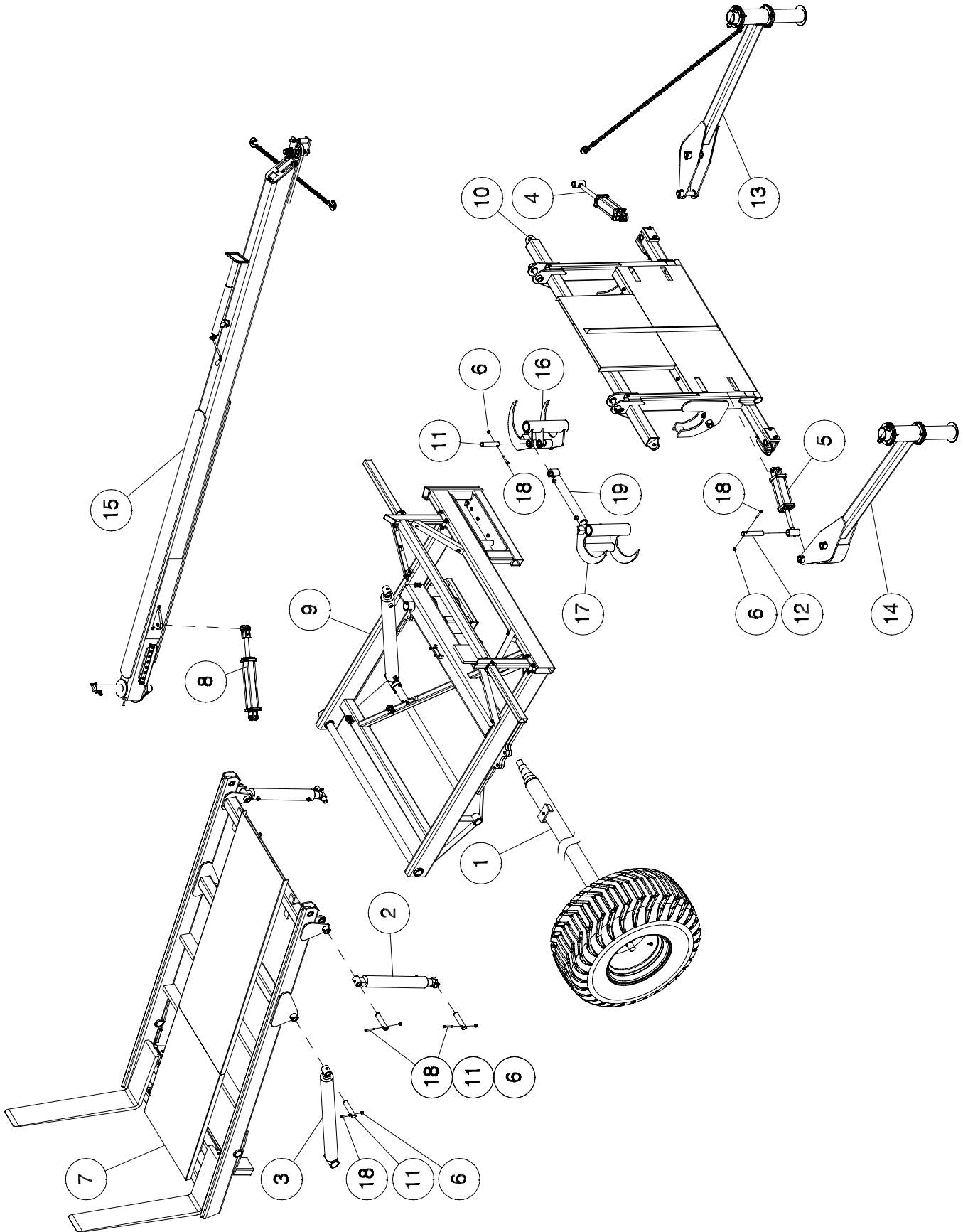
Notes

Section 1: Parts Breakdown

Section Contents

Bale Skoop Final Assembly	1-2
Loader Assembly.....	1-4
12SR - Grab Hook Assembly - 2014 to Present.....	1-6
12SR - Grab Hook Assembly - 2002 to 2013.....	1-8
Grab Hook Assembly - 1998 to 2001	1-10
HD4SR - Short Alignment Arm Assembly.....	1-12
12SR - Medium Alignment Arm Assembly.....	1-13
Bed Assembly	1-14
Frame Assembly	1-16
Bed Rest Assembly	1-18
Hitch Assembly.....	1-20
Implement Tire and Axle Assembly - Prior to 2015	1-22
Truck Tire and Axle Assembly - Prior to 2015	1-24
Terra Tire and Axle Assembly - Prior to 2015	1-26
Terra Tire and Axle Assembly - 2015 to Present.....	1-28
HD4SR Hydraulic Hose Schematic.....	1-30
12SR Hydraulic Hose Schematic - 2015 to Present	1-32
12SR Hydraulic Hose Schematic - 2014 to 2015.....	1-34
12SR Hydraulic Hose Schematic - 2004 to 2013.....	1-36
12SR Hydraulic Hose Schematic - 2001 to 2003	1-38
12SR Hydraulic Hose Schematic - 2000	1-40
12SR Hydraulic Hose Schematic - 1998 to 1999	1-42
Cylinder Specification Sheet	1-44
Electrical Warning Assembly	1-46
Electrical Assembly	1-47

HD4SR and 12SR Bale Scoop Final Assembly

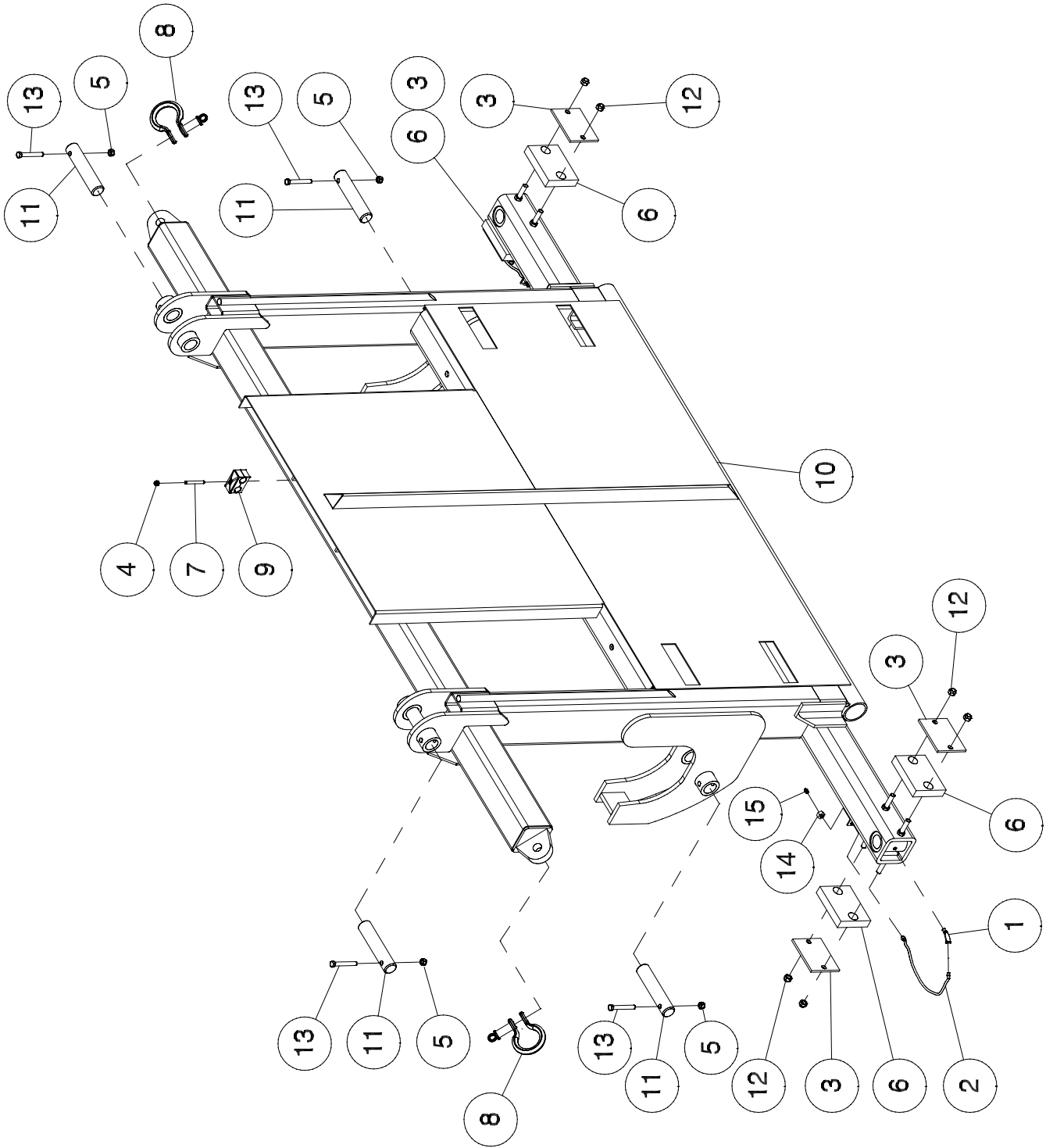


Bale Skoop Final Assembly

Item	Part No.	Description	Qty
1	10410	Terra Axle Assembly	1
	10385	Truck Axle Assembly	1
2	10032	Loader Cylinder - 3 1/2 x 20 Stroke	2
3	10033	Bed Cylinder - 4 x 36 Stroke	2
4	10034	LH Alignment Cylinder - 3 1/4 x 8 Stroke	1
5	10035	RH Alignment Cylinder - 12SR - 3 1/2 x 8 Stroke	1
6	10302	Nylon Insert Locknut - 7/16	14
7	12290	Bed	1
	*10048	SR Model Bed	1
8	12302	Hitch Cylinder - 3 x 14 Stroke	1
9	12474	Main Frame	1
	*10131	Main Frame	1
10	K44274	Loader - HD4SR (Not Shown)	1
	12494	Loader - 12SR	1
	*10214	Basic Loader Assembly	1
11	12519	Pin - Bed Cylinder - 1 1/2 Dia x 6 UL	10
	*10256	Pin - Bed Cylinder - 1 7/16 Dia x 7 UL	
12	12520	Pin - Alignment Arm - 1 1/2 Dia x 7 1/4 UL	4
13	12525	LH Medium Alignment Arm Assembly - 12SR	1
	*10405	LH Medium Alignment Arm Assembly - 12SR	1
	12527	LH Short Alignment Arm - HD4SR	1
	*10406	LH Short Alignment Arm - HD4SR	1
14	12526	RH Medium Alignment Arm Assembly - 12SR	1
	*10404	RH Medium Alignment Arm Assembly - 12SR	1
	12528	RH Short Alignment Arm - HD4SR	1
	*10011	RH Short Alignment Arm - HD4SR	1
15	K42480	Hitch Beam Assembly	1
	*10393	Hitch Assembly	1
16	12532	Grab Hook - Left - 12SR	1
17	12533	Grab Hook - Right - 12SR	1
18	D-5251	Hex Bolt - 7/16 x 3 Lg	14
19	K42468	Cylinder Assembly W/Bushings - 2 1/2 x 16 Stroke	1
	12166	Grab Hook Cylinder 03 - 12SR	1
	10036	Grab Hook Cylinder - 1998 to 2002	
	12039	Grommet - Inserts Into Light Bar (Not Shown)	2
	10248	Slip Coat	1
	W-4647	Red Paint	1
	10359	Warning Light Assembly	1
	K34987	Operators Manual - HD4SR and 12SR	1
	K34990	Assembly Manual - HD4SR and 12SR	1

* Prior to serial # SR12060881 for the 12SR & SR40600866 for the HD4SR

HD4SR and 12SR Loader Assembly

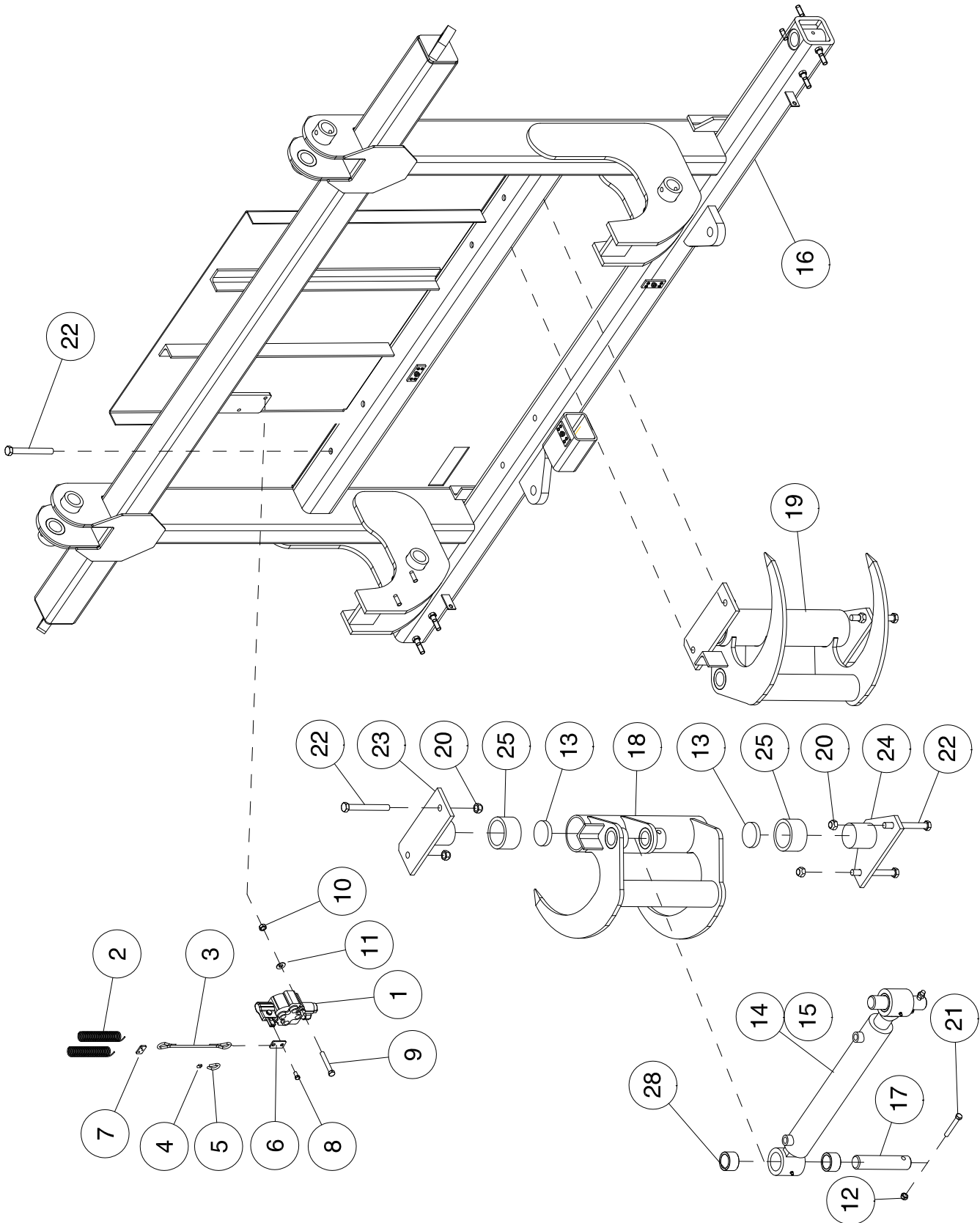


Loader Assembly

Item	Part No.	Description	Qty
1	10173	Street Grease Elbow - NPTF 45	2
2	10183	Remote Grease Hose - 1/8 x 12 Lg	2
3	10104	Plate - Alignment Slider	4
4	10231	Locknut - 5/16 Nylon Insert	3
5	10302	Locknut - 7/16 Nylon Insert	4
6	10351	Slider - Alignment Arm	4
7	10811	Set Screw - 5/16 x 2 1/2 Lg	3
8	10827	Round Pin Shackle - 3/4	2
9	11740	Plastic Hose Clamps - 13/16	3
	10217	3/4" Plastic Hose Clamp - 1998 to 2001	3
10	K44274	Loader - HD4SR (Not Shown)	1
	12494	Loader - 12SR	1
	*10193	Loader	1
11	12519	Pin - Bed Cylinder - 1 1/2 x 7	4
	*10256	Pin - 1 7/16 x 7	4
12	F-3405	Locknut - 1/2 Nylon Insert	8
13	D-5251	Hex Bolt - 7/16 x 3 Lg	4
14	10227	3/8 - Grease Hose Jam Nut	2
15	S-752	Grease Fitting - 1/4	2
<p>* Prior To Serial # SR12060881 For The 12SR & SR40600866 For The HD4SR</p>			

HD4SR and 12SR 12SR - Grab Hook Assembly - 2014 to Present

For Serial Number - SR12143100 and Up

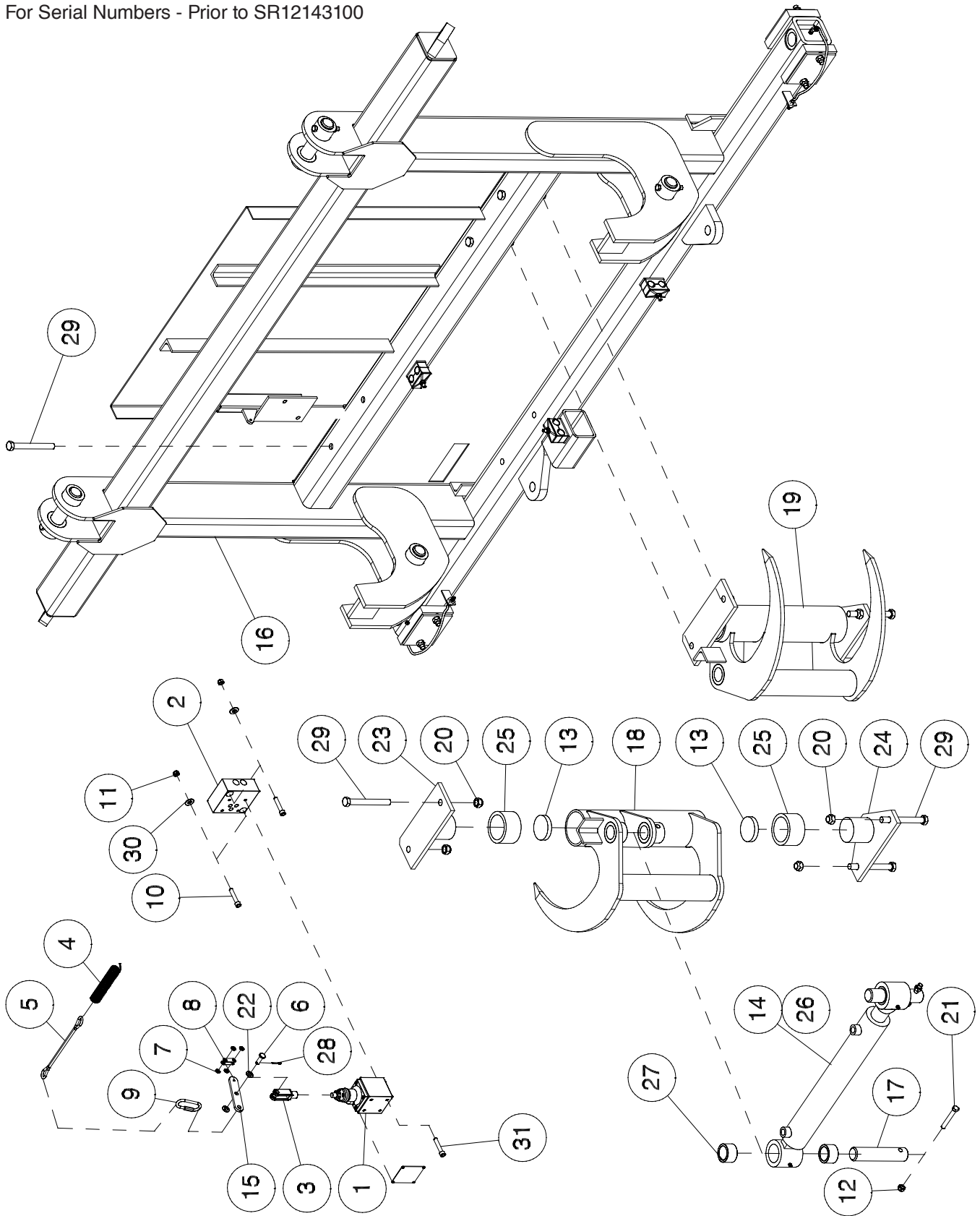


12SR - Grab Hook Assembly - 2014 to Present

Item	Part No.	Description	Qty
1	K53973	Directional Valve.....	1
2	10845	Spring - 3/4 x 5 3/4.....	2
3	K53993	Pull Cable.....	1
4	K42389	Oval Sleeve - 0.062 Diameter	4
5	K42390	Thimble	2
6	K53980	Plate - Valve Link.....	1
7	K53987	Plate - Spring Link.....	1
8	K53981	Hex Bolt - M8 x 25 mm Lg.....	1
9	S-1302	Hex Bolt - 5/16 x 2 1/2 Lg	2
10	W-513	Hex Nut - 5/16.....	2
11	W-522	Lockwasher - 5/16.....	2
12	10302	Locknut - 7/16 Nylon Insert.....	2
13	10355	Grab Hook Thrust Bearing	4
14	12166	Hydraulic Cylinder - 2 1/2 x 16 Stroke.....	1
15	K42468	Cylinder Assembly W/Bushings - 2 1/2 x 16 Stroke	1
16	12494	Loader - 12SR	1
17	12519	Pin - Bed Cylinder - 1 1/2 x 7	2
18	12532	LH Grab Hook	1
19	12533	RH Grab Hook	1
20	10230	Locknut - 5/8 Nylon Insert	8
21	D-5251	Hex Bolt - 7/16 x 3 Lg	2
22	10065	Hex Bolt - 5/8 x 5 1/2 Lg GR8	8
23	K42393	Upper Grab Hook Pivot.....	2
24	K42394	Lower Grab Hook Pivot.....	2
25	K42396	Grab Hook Bushing.....	4
26	K44008	Bushing - Cylinder Pivot.....	4

HD4SR and 12SR 12SR - Grab Hook Assembly - 2002 to 2013

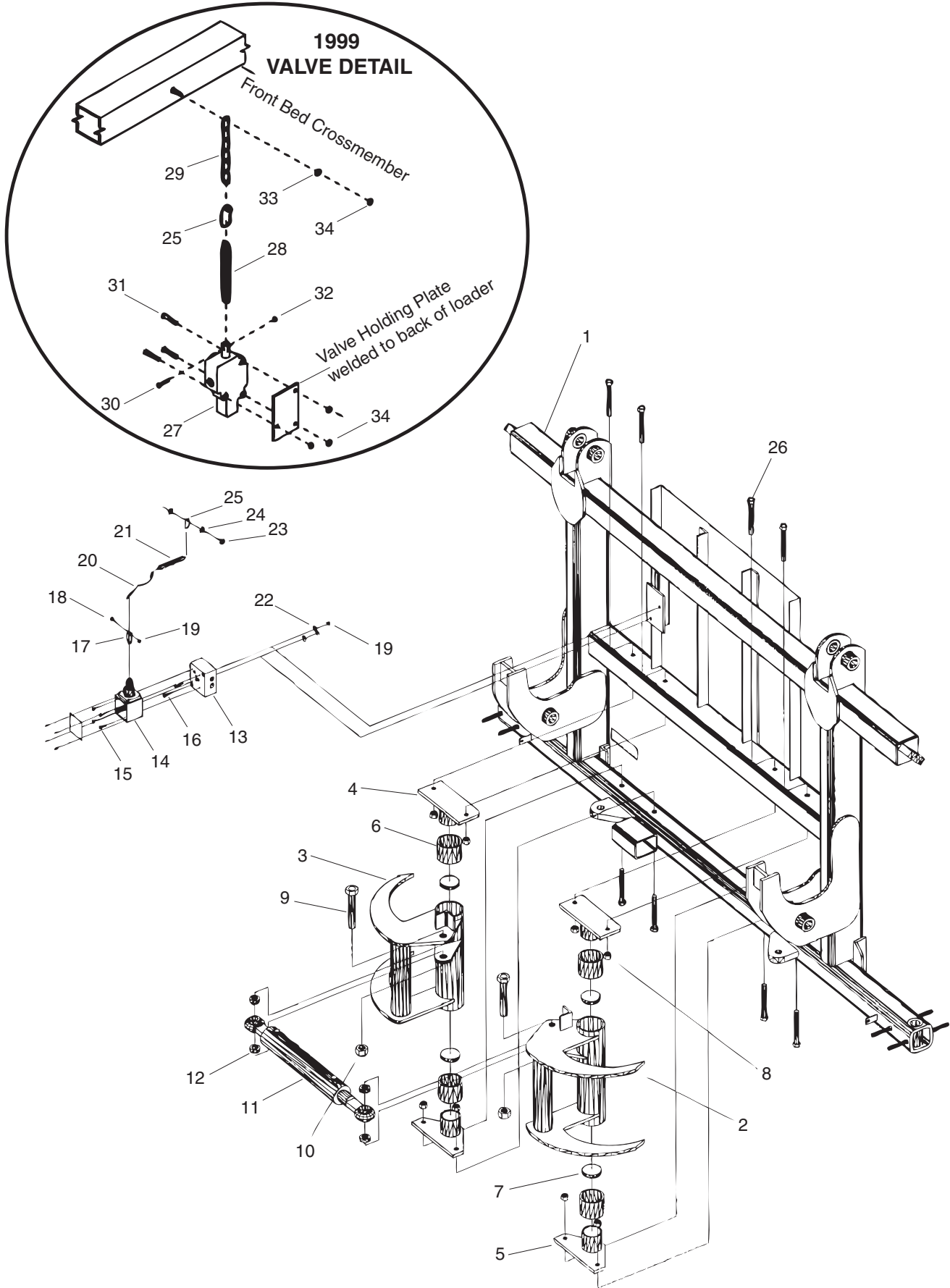
For Serial Numbers - Prior to SR12143100



12SR - Grab Hook Assembly - 2002 to 2013

Item	Part No.	Description	Qty
1	10397	Dynex Actuator Valve	1
2	10842	Damen Sub Plate.....	1
3	10843	Yoke End 3/8 NF	1
4	10845	Spring - 3/4 x 5 3/4.....	1
5	12202	Pull Cable.....	1
6	F-3485	Pin - 3/4 x 1 1/4.....	1
7	12205	#6 Extra Thick Spacer Washer.....	4
8	12206	2040 Double Pitch Connecting Link.....	1
9	12224	Quick Link Wide Jaw - 1/4	1
10	10069	Setscrew - 3/8 x 2	2
11	10229	Locknut - 3/8 Nylon Insert.....	2
12	10302	Locknut - 7/16 Nylon Insert.....	2
13	10355	Grab Hook Thrust Bearing	4
14	12166	Hydraulic Cylinder - 2 1/2 x 16 Stroke.....	1
15	12174	Valve Pull Bar.....	1
16	12494	Loader - 12SR	1
	*10193	Loader.....	1
17	12519	Pin - Bed Cylinder - 1 1/2 x 7	2
	*10256	Pin - 1 7/16 x 7.....	2
18	12532	LH Grab Hook.....	1
	*12197	LH Grab Hook 03.....	1
19	12533	RH Grab Hook	1
	*12196	RH Grab Hook 03	1
20	10230	Locknut - 5/8 Nylon Insert	8
21	D-5251	Hex Bolt - 7/16 x 3 Lg	2
22	D-5489	Washer - 13/32 ID x 13/16 OD x 16 Ga	2
23	K42393	Upper Grab Hook Pivot.....	2
	*10209	Upper Grab Hook Pivot.....	2
24	K42394	Lower Grab Hook Pivot.....	2
	*10210	Lower Grab Hook Pivot.....	2
25	K42396	Grab Hook Bushing.....	4
	*10357	Grab Hook Bushing.....	4
26	K42468	Cylinder Assembly W/Bushings - 2 1/2 x 16 Stroke.....	1
27	K44008	Bushing - Cylinder Pivot.....	4
	*10936	Loader Pivot Bushing - 1.453 ID x 2.035 OD x 1 1/4 Lg	4
28	W-907	Cotter Pin - 5/32 x 3/4 Lg	1
29	10065	Hex Bolt - 5/8 x 5 1/2 Lg GR8	8
30	W-538	Washer - 7/16 ID x 1 OD x 14 Ga	2
31	10722	Bolt - 1/4-20 x 3/4 Lg.....	4
		 *Prior To Serial # SR12060881 For The 12SR	

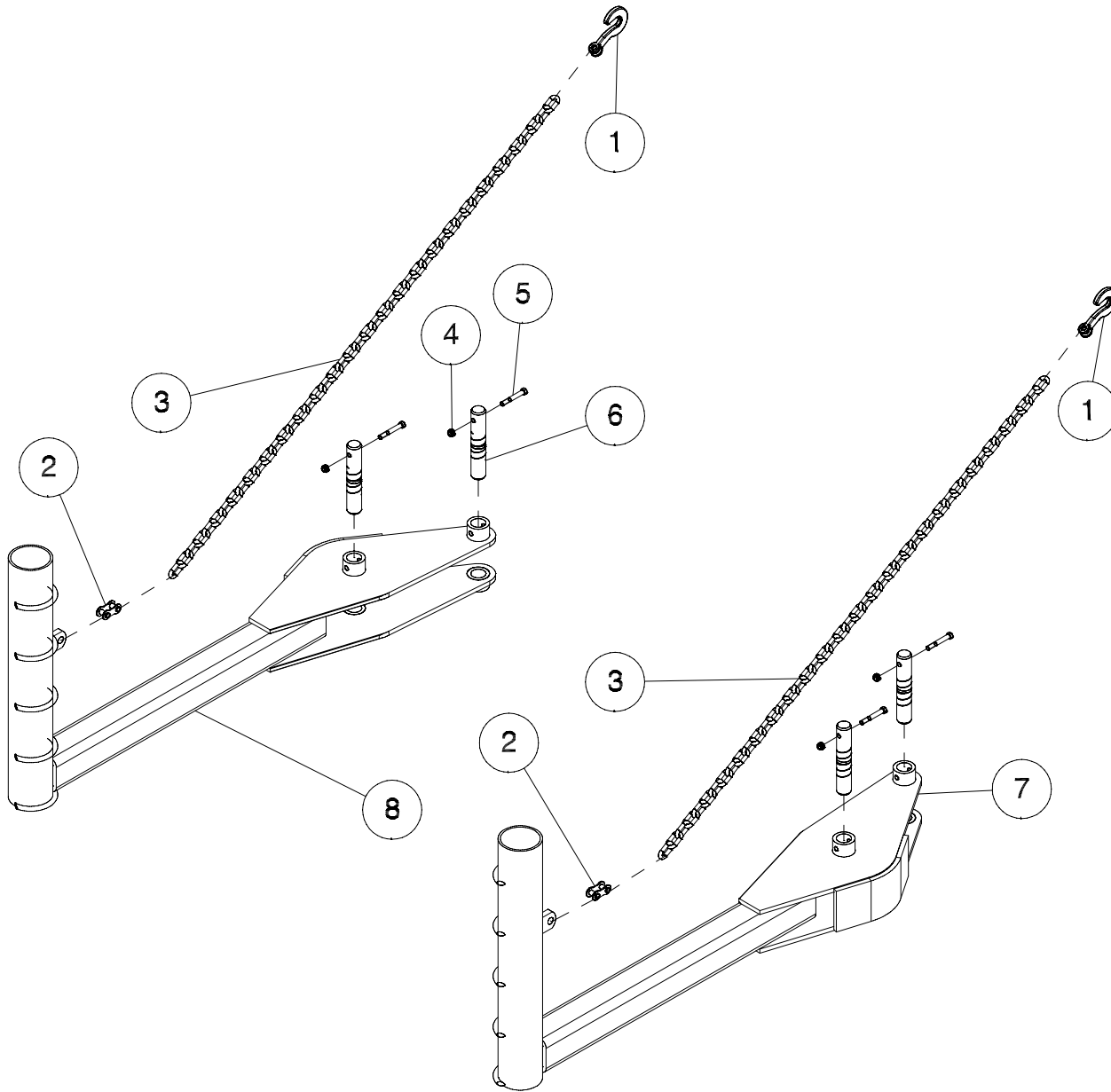
HD4SR and 12SR Grab Hook Assembly - 1998 to 2001



Grab Hook Assembly - 1998 to 2001

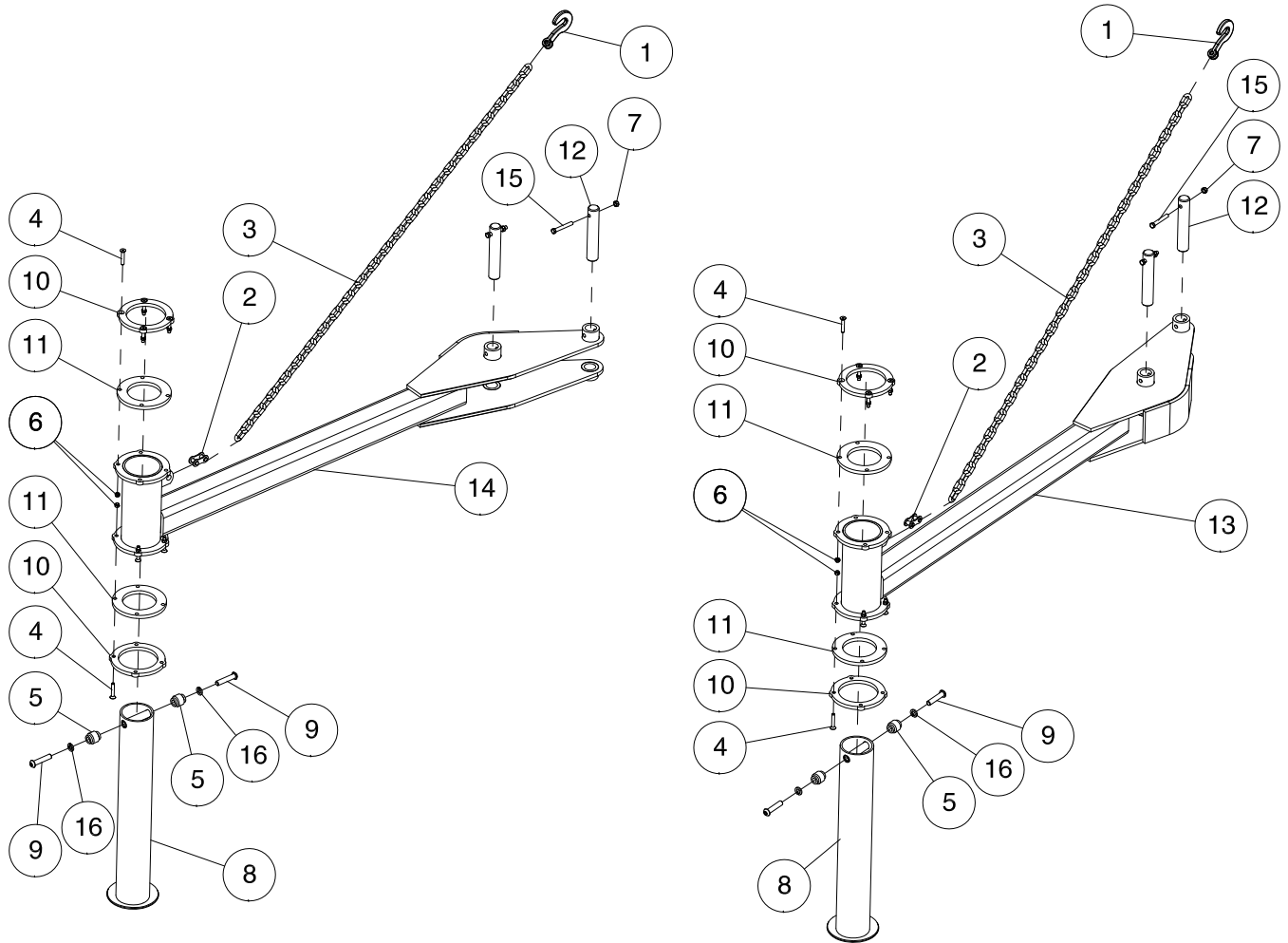
Item	Part No.	Description	Qty
1	10193	Loader Painted.....	1
2	10197	RH Grab Hook - 2001	1
	10208	RH Grab Hook - 1998 to 2000	1
3	10687	LH Grab Hook - 2001	1
	10182	LH Grab Hook - 1998 to 2000.....	1
4	10209	Upper Grab Hook Pivot Painted.....	2
5	10210	Lower Grab Hook Pivot Painted.....	2
	10097	Lower Grab Hook Pivot Painted - 1998 to 2000.....	2
6	10357	Grab Hook Bushing.....	4
7	10355	Grab Hook Thrust Bearing	4
8	10230	5/8" Nylock Nut.....	8
9	10057	1" x 6" Gr 8 Hex Bolt.....	2
10	10228	1" Nylock Nut.....	2
11	10036	Grab Hook Cylinder	1
12	10096	Cylinder Bolt Spacer	4
13	10842	Damen Sub Plate.....	1
14	10397	Dynex Valve (Grab Hook Valve)	1
15	10722	1/4" - 20 x 3/4" Gr 8 SHCS Plain.....	4
16	10069	3/8" NC x 2" SHCS Gr 8.....	2
17	10843	Yoke End 3/8" NF	1
18	W-477	Hex Head Bolt - 3/8 x 1 1/2 G5	1
19	10229	3/8" Nylock Nut.....	3
20	10844	5" Cable Loop Ends	1
21	10845	3/4" x 5 3/4" Spring.....	1
22	W-538	Flat Washer - 3/8.....	2
23	10229	3/8" Nylock Nut - 2000 only.....	1
24	10236	3/8" USS Flat Washer Plated - 2000 only	2
25	10103	1/4" Quick Loop - 1998 to 2000 only	1
26	10065	5/8" x 5 1/2" Gr 8 Hex Bolt - Plated	8
27	10124	Grab Hook Valve - 1998 to 1999.....	1
28	10272	1" x 7" Spring - 1998 to 1999	1
29	10758	3/16" Chain 6" Lg - 1998 to 1999	1
30	10073	1/4" x 1 1/2" Gr 8 Hex Bolt Plated - 1998 to 1999	1
31	10091	3/8" x 2 1/2" Gr 8 Hex Bolt Plated - 1998 to 1999	3
32	10233	1/4" Nylock Nut.....	1
33	W-538	Flat Washer - 7/16 ID x 1 OD x 14 Ga- 1998 to 1999	2
34	10229	3/8" Nylock Nut - 1998 to 1999	4

HD4SR HD4SR - Short Alignment Arm Assembly



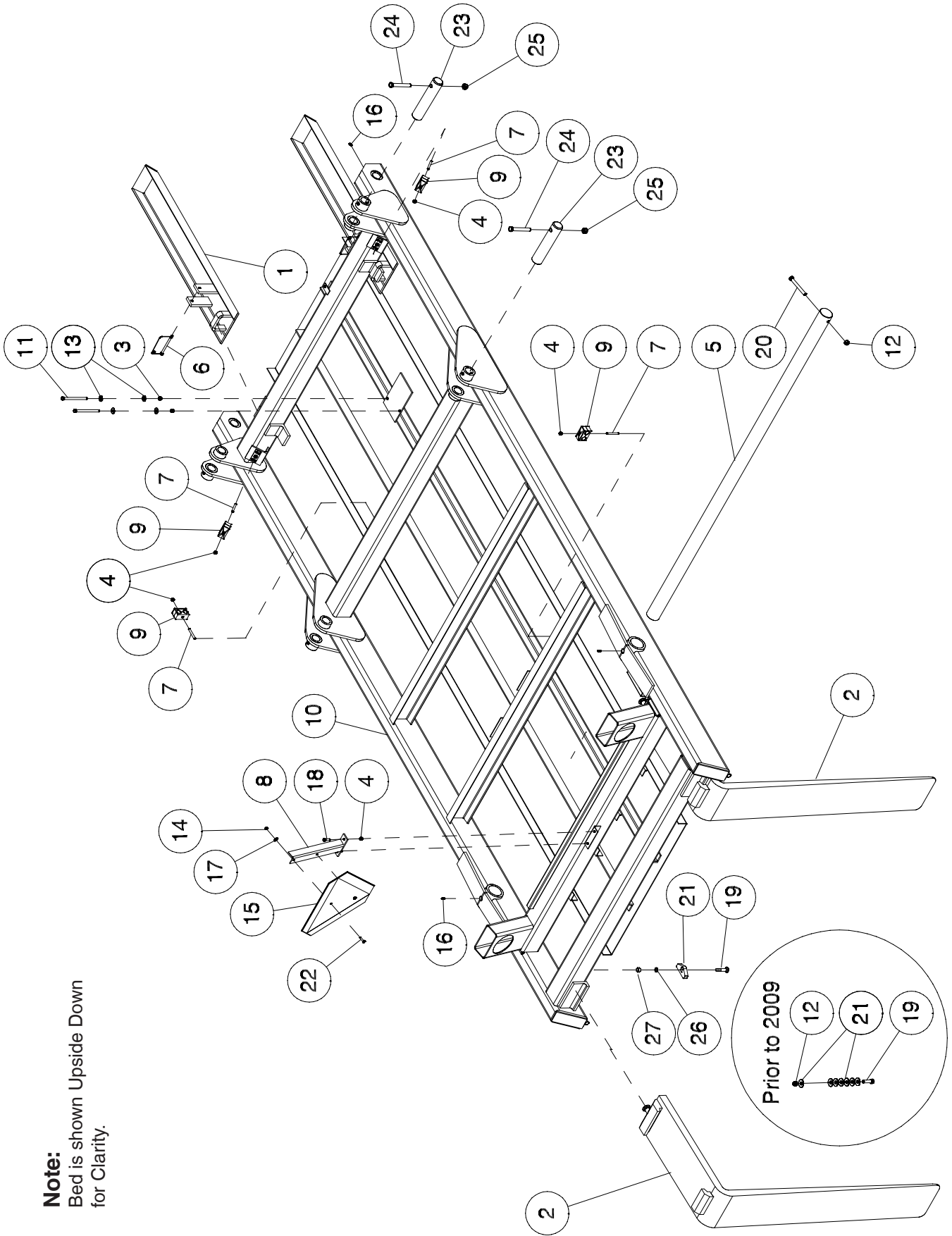
Item	Part No.	Description	Qty
1	10662	3/8 Chain Locking Grab Hook.....	2
2	10677	7/16 - 1/2 Twin Clevis	2
3	10750	Chain - 75 Lg - Grade 70 (Includes Item 1)	2
4	10302	Locknut - 7/16 Nylon Insert	4
5	D-5251	Hex Bolt - 7/16 x 3	4
6	12520	Pin - 1 1/2 x 8 1/4.....	4
	*10257	Pin - 1 7/16 x 8 1/4.....	4
7	12527	LH Short Alignment Arm.....	1
	*10406	LH Short Alignment Arm.....	1
8	12528	RH Short Alignment Arm	1
	*10011	RH Short Alignment Arm	1
* Prior To Serial # SR40600866 For The HD4SR			

HD12SR 12SR - Medium Alignment Arm Assembly



Item	Part No.	Description	Qty
1	10662	Chain Locking Grab Hook - 3/8.....	2
2	10677	Twin Clevis - 7/16 x 1/2	2
3	10750	Chain - 75 Lg - Grade 70 (Includes Item 1)	2
4	W14501	Carriage Bolt - 3/8 x 2 1/4.....	16
	10074	Cap Screw - 3/8 x 2 1/4 (Prior to 2010 see item 10 for details)	16
5	10076	Rubber Roller Bushing - 5/8 x 2.....	4
6	10229	Nylon Insert Locknut - 3/8.....	16
7	10302	Nylon Insert Locknut - 7/16.....	4
8	10400	Foot Slider.....	2
9	C-3016	Hex Bolt - 5/8 x 3	4
10	10841	Bearing Plate - 2002 to Present (2010 countersunk holes replaced with square holes) .	4
	10164	Bearing Plate - 1998 to 2001	
11	10846	Foot Slider Bearing - 2002 to Present.....	4
	10353	Foot Slider Bearing - 1998 to 2001	
12	12520	Pin - 1 1/2 x 8 1/4.....	4
	*10257	Pin - 1 7/16 x 8 1/4.....	4
13	12525	LH Medium Alignment Arm.....	1
	*10220	LH Medium Alignment Arm	1
14	12526	RH Medium Alignment Arm	1
	*10399	RH Medium Alignment Arm	1
15	D-5251	Hex Bolt - 7/16 x 3 Lg	4
16	W-526	Lockwasher - 5/8.....	4
* Prior To Serial # SR12060881 For The 12SR			

HD4SR and 12SR Bed Assembly



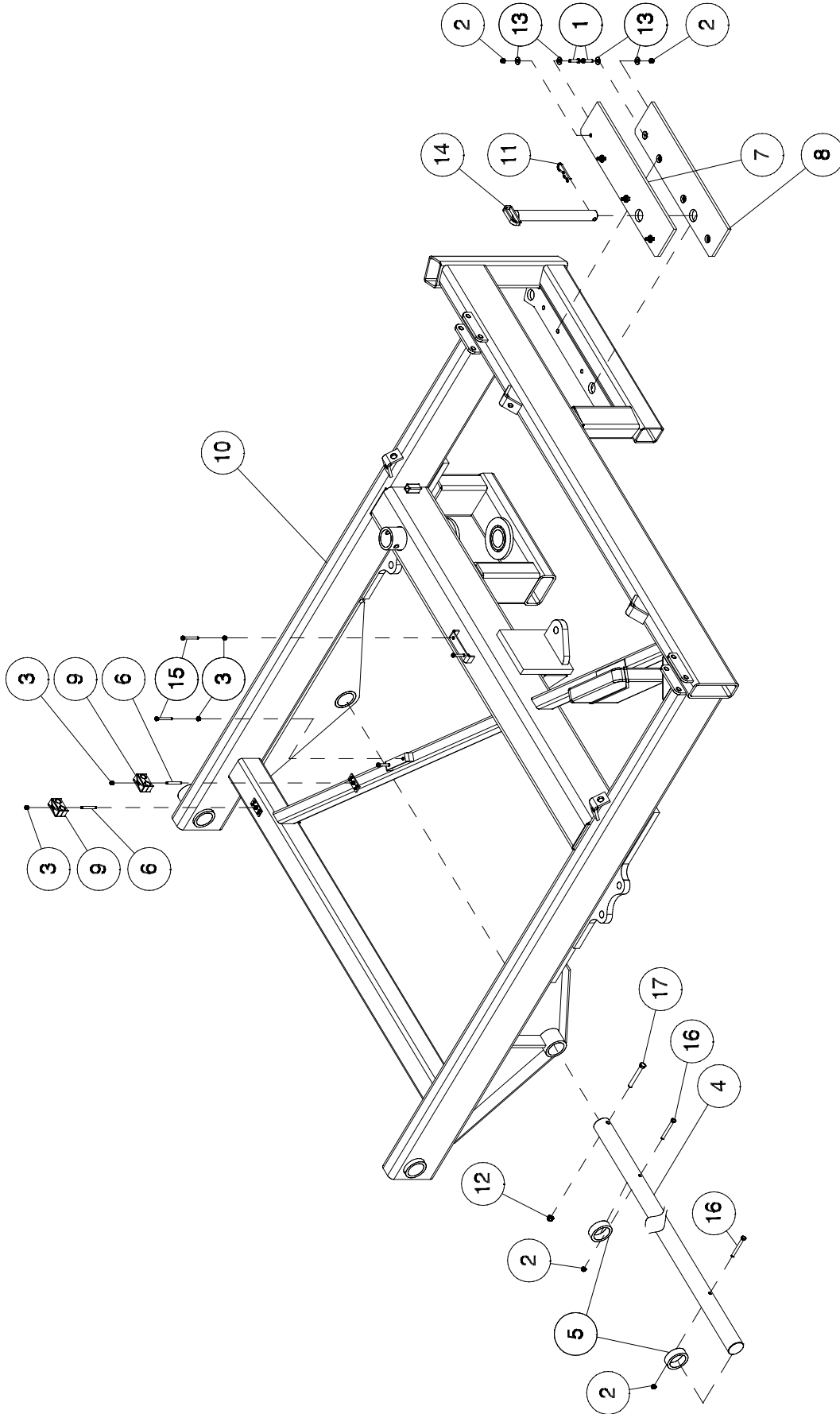
Note:
Bed is shown Upside Down
for Clarity.

Bed Assembly

Item	Part No.	Description	Qty
1	10130	Bed Extensions Painted - 2001 to present.....	2
	10416	Bed Extensions Painted - 1999 to 2000.....	2
	10421	Bed Extensions Painted - 1997 to 1998.....	2
2	10163	Forklift Tooth - 8 x 48	2
3	10229	Locknut - 3/8 Nylon Insert	2
4	10231	Locknut - 5/16 Nylon Insert	6
5	10260	Bed Pivot Shaft	1
6	10414	Snap Lock Pins - 5/16 x 4 UL	2
7	10811	Set Screw - 5/16 x 2 1/2 Lg.....	4
8	11132	Bracket - SMV Sign.....	1
9	11740	Plastic Hose Clamp - 13/16	4
	10217	3/4" Plastic Hose Clamp - 1997 to 2000	4
10	12290	SR Model Bed Weldment.....	1
	*10048	SR Model Bed Weldment.....	1
11	10063	Hex Bolt - 3/8 x 5 Lg GR8	2
12	F-3405	Locknut - 1/2 Nylon Insert	3
13	W-538	Washer - 13/32 ID x 1 OD x 16 Ga	4
14	10233	Locknut - 1/4 Nylon Insert	2
15	N34475	Slow Moving Vehicle Emblem	1
16	S-752	Grease Zerk - 1/4 Straight	4
17	S-1198	Washer - 5/16 ID x 3/4 OD x 0.065.....	2
18	W-471	Hex Bolt - 5/16 x 1 Lg	2
19	C33957	Bolt Carriage Head - 3/4 x 3 Lg - 2009	2
	10070	Hex Bolt - 1/2 x 1 3/4 Lg GR8 - Prior to 2009	2
20	K25798	Hex Bolt - 1/2 x 4 Lg GR8	1
21	K45683	Fork Retainer Block - 2009	2
	W-539	Flatwasher - 1/2 - Prior to 2009	14
22	W-1552	Hex Bolt - 1/4 x 1 Lg	2
23	12519	Pin - Bed Cylinder - 1 1/2 x 7	4
	*10256	Pin - 1 7/16 x 7.....	4
24	D-5251	Hex Bolt - 7/16 x 3 Lg	4
25	10302	Locknut - 7/16 Nylon Insert	4
26	W-527	Lockwasher - 3/4.....	2
27	W-518	Hex Nut - 3/4 GR5	2

* Prior to serial # SR12060881 for the 12SR & SR40600866 for the HD4SR

HD4SR and 12SR Frame Assembly

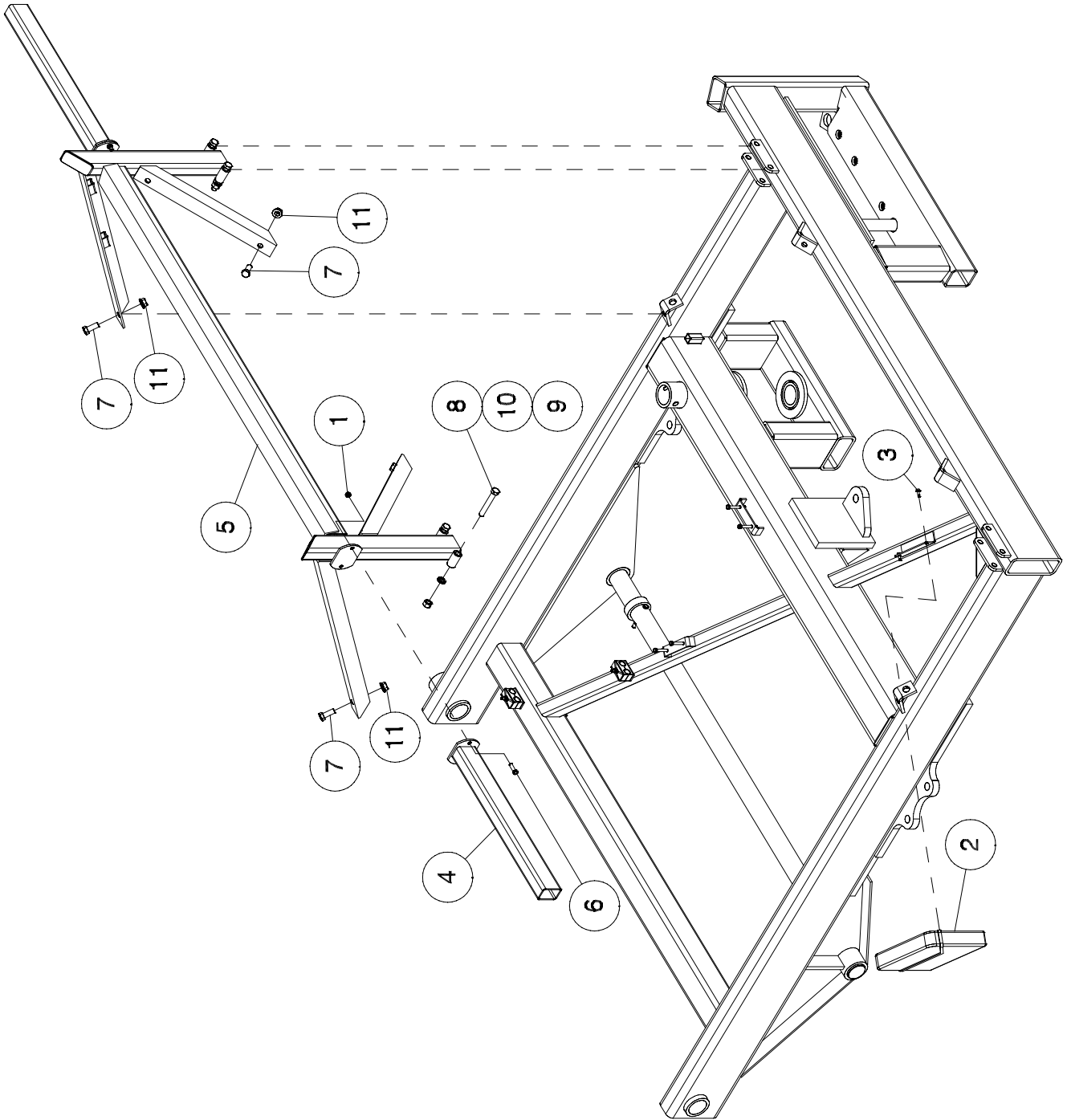


Frame Assembly

Item	Part No.	Description	Qty
1	W-477	Bolt Hex Head - 3/8 x 1 1/2 Lg	8
	*10075	3/8 x 1 1/2 GR 8 Low Allen Head Cap Screw	8
2	10229	Nylon Insert Locknut - 3/8	10
3	10231	Nylon Insert Locknut - 5/16	6
4	10258	Hoist Shaft	1
5	10308	Hoist Spacer - 3 1/4 OD x .375W.....	2
6	10811	Set Screw - 5/16 x 2 1/2 Lg.....	2
7	11123	Slider Pad - Upper.....	1
8	11124	Slider Pad - Lower.....	1
9	11740	Plastic Hose Clamp Assembly - 13/16.....	2
	10217	3/4" Plastic Hose Clamp - 1997 to 2001	2
10	12474	Main Frame	1
	*10131	Main Frame Weldment	1
11	BW-11	Hairpin - 3/16	1
12	F-3405	Locknut - 1/2 Nylon Insert	2
13	W-538	Washer - 13/32 ID x 1 OD x 16 Ga	16
14	K42477	Hitch Safety Pin - 1 1/2 x 13 1/2 UL.....	1
	*10415	Hitch Safety Pin	1
15	S-1302	Hex Bolt - 5/16 x 2 1/2 Lg	4
16	10813	Hex Bolt - 3/8 x 3 1/2 Lg GR8	2
17	K25798	Hex Bolt - 1/2 x 4 Lg GR8.....	2

* Prior To Serial # SR12060881 For The 12SR & SR40600866 For The HD4SR

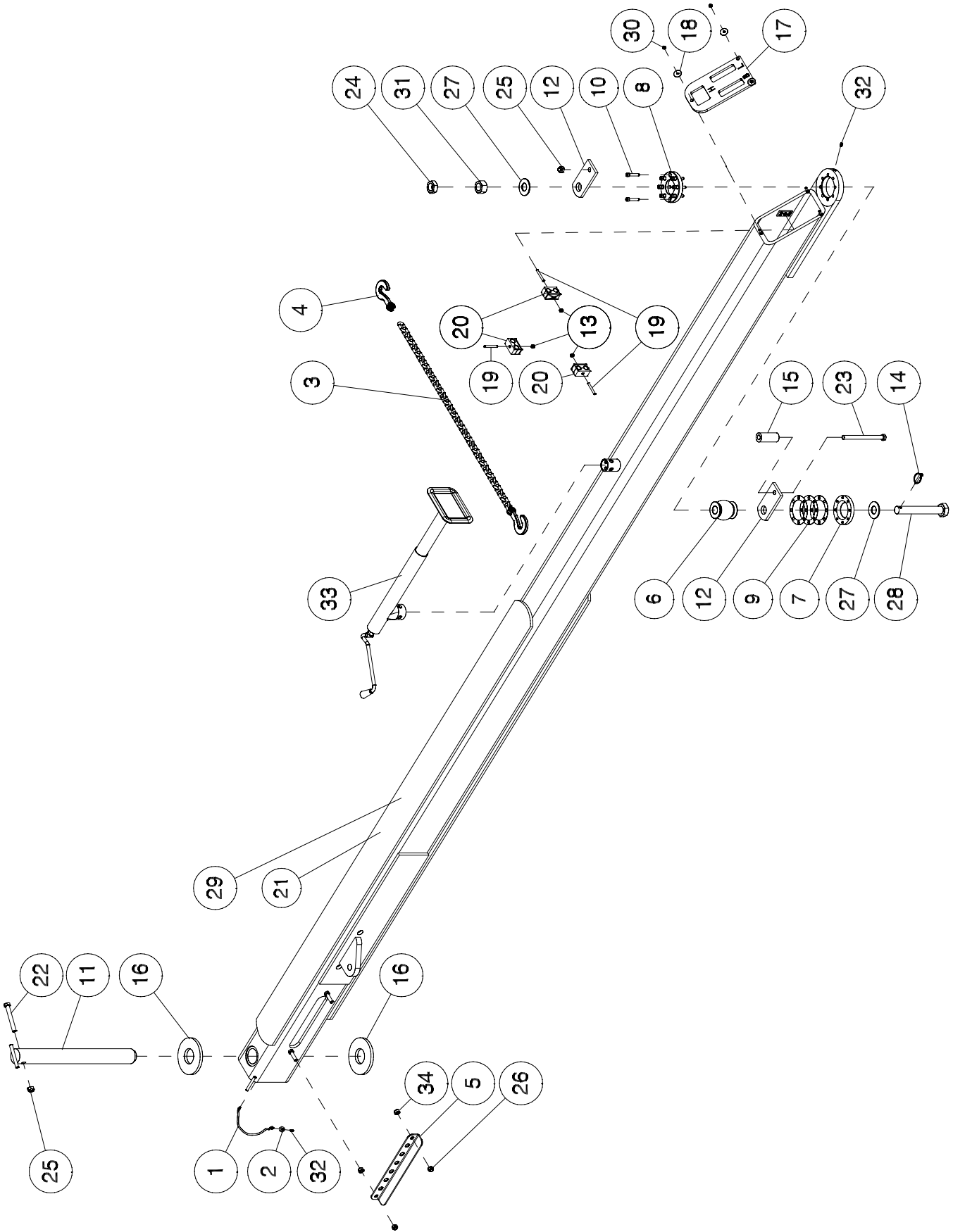
HD4SR and 12SR Bed Rest Assembly



Bed Rest

Item	Part No.	Description	Qty
1	10229	Locknut - 3/8 Nylon Insert.....	14
2	10295	Manual Box	1
3	10297	Screw - 1/4 - 20 x 3/4	2
4	11129	Light Bar.....	2
5	K42475	Frame - Bed Rest.....	1
6	W-477	Hex Bolt - 3/8 x 1 1/2 Lg	4
7	W-497	Hex Bolt - 5/8 x 1 1/2 Lg	4
8	W-504	Hex Bolt - 5/8 x 4 Lg	4
9	W-517	Hex Nut - 5/8.....	4
10	W-526	Lockwasher - 5/8.....	4
11	W14434	Locknut - 5/8 Flange	4

HD4SR and 12SR Hitch Assembly



Hitch Assembly

Item	Part No.	Description	Qty
1	10183	Remote Grease Hose - 1/8 x 12	1
2	10227	Grease Hose Jam Nut - 3/8	1
3	10369	Chain - 3/8 x 8 Foot	1
4	10662	3/8 Chain Locking Grab Hook.....	2
5	10025	Hitch Hose Manifold.....	1
	*10019	Hitch Hose Manifold.....	1
6	10049	Hitch Ball.....	1
7	10050	Ring Hitch Lower.....	1
8	10051	Ring Hitch Upper.....	1
9	10052	Ball Hitch Shim.....	3
10	10069	Allen Head Cap Screw Plain - 3/8 x 2 GR 8	8
11	10129	Pin - Hitch Pivot	1
12	10142	Plate - Draw Bar Hitch.....	2
13	10231	Locknut - 5/16 Nylon Insert	3
14	10247	Klik Pin W/Chain & Cotter Pin.....	1
15	10313	Spacer Bushing - 1 1/2 OD x .375W	1
16	10352	Washer - Hitch Pivot	2
17	10354	End Cap - Hitch.....	1
18	10364	Washer - 9/32 ID x 1 1/4 OD x 16Ga	3
19	10811	Set Screw - 5/16 x 2 1/2 Lg.....	3
20	11740	Plastic Hose Clamp Assembly	3
21	12529	Hitch Beam	1
	*10199	SR Hitch Painted.....	1
22	10816	Hex Bolt - 5/8 x 5 Lg GR8	1
23	10066	Hex Bolt - 5/8 x 8 Lg GR8	1
24	C15768	Hex Jam Nut - 1 1/4	1
25	10230	Locknut - 5/8 Nylon Insert	2
26	F-3405	Locknut - 1/2 Nylon Insert	2
27	10682	Washer - 1 5/16 ID x 2 3/4 OD x 8 Ga	2
28	K45448	Hitch Bolt - 1 1/4 x 9 Lg (K42469).....	1
29	K42480	Assembly - Hitch Beam W/Ball Clevis.....	1
30	10233	Locknut - 1/4 Nylon Insert.....	3
31	P61D20	Hex Nut - 1 1/4.....	1
32	S-752	Straight Grease Zerk - 1/4	2
33	S39391	Top Wind Jack - 2000 Lb.....	1
	10200	SR Jack.....	1
34	W-516	Hex Nut - 1/2.....	2

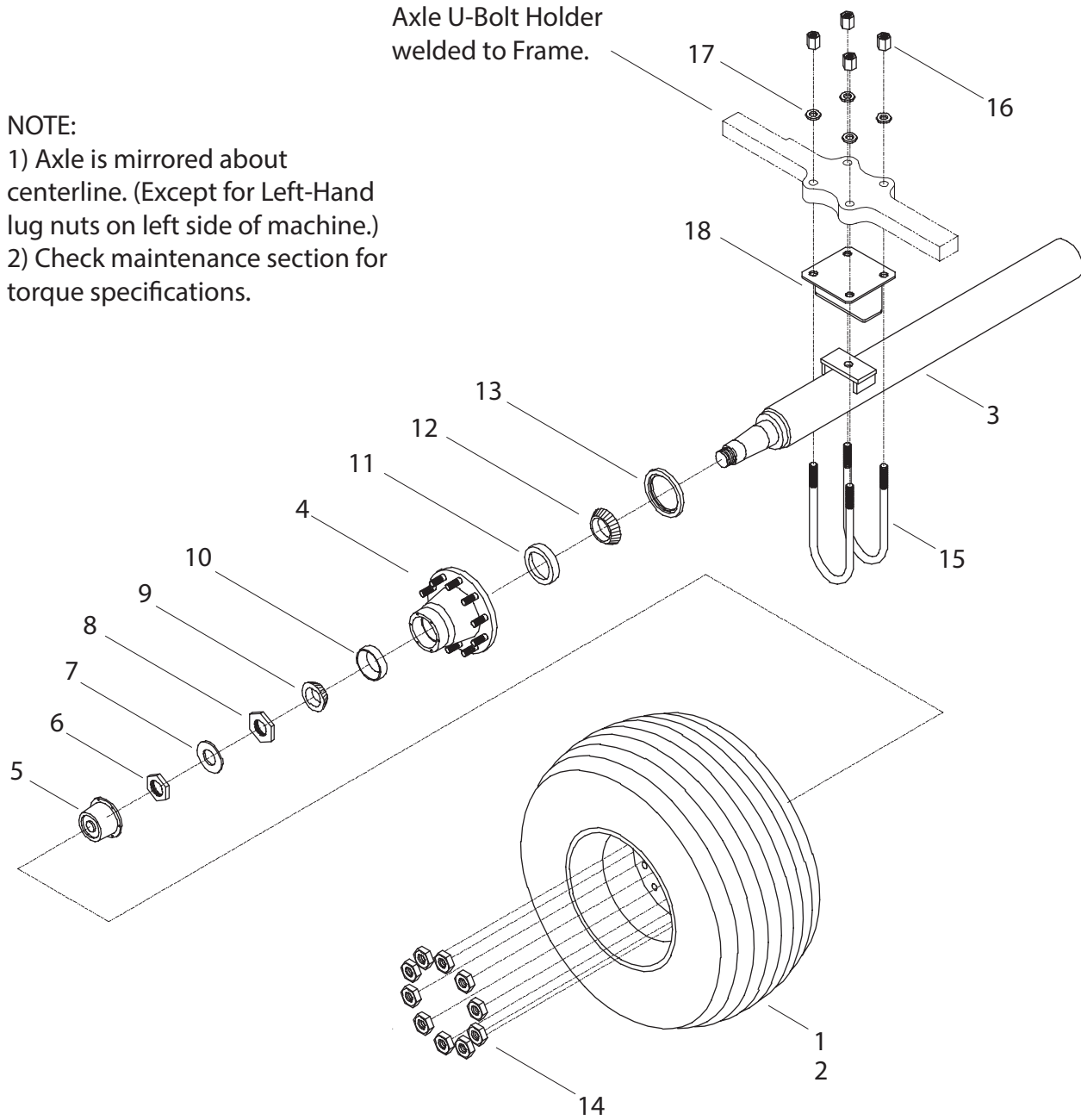
* Prior To Serial # SR12060881 For The 12SR & SR40600866 For The HD4SR

HD4SR and 12SR Implement Tire and Axle Assembly - Prior to 2015

HD4SR - Standard Equipment

NOTE:

- 1) Axle is mirrored about centerline. (Except for Left-Hand lug nuts on left side of machine.)
- 2) Check maintenance section for torque specifications.



Implement Tire and Axle Assembly - Prior to 2015

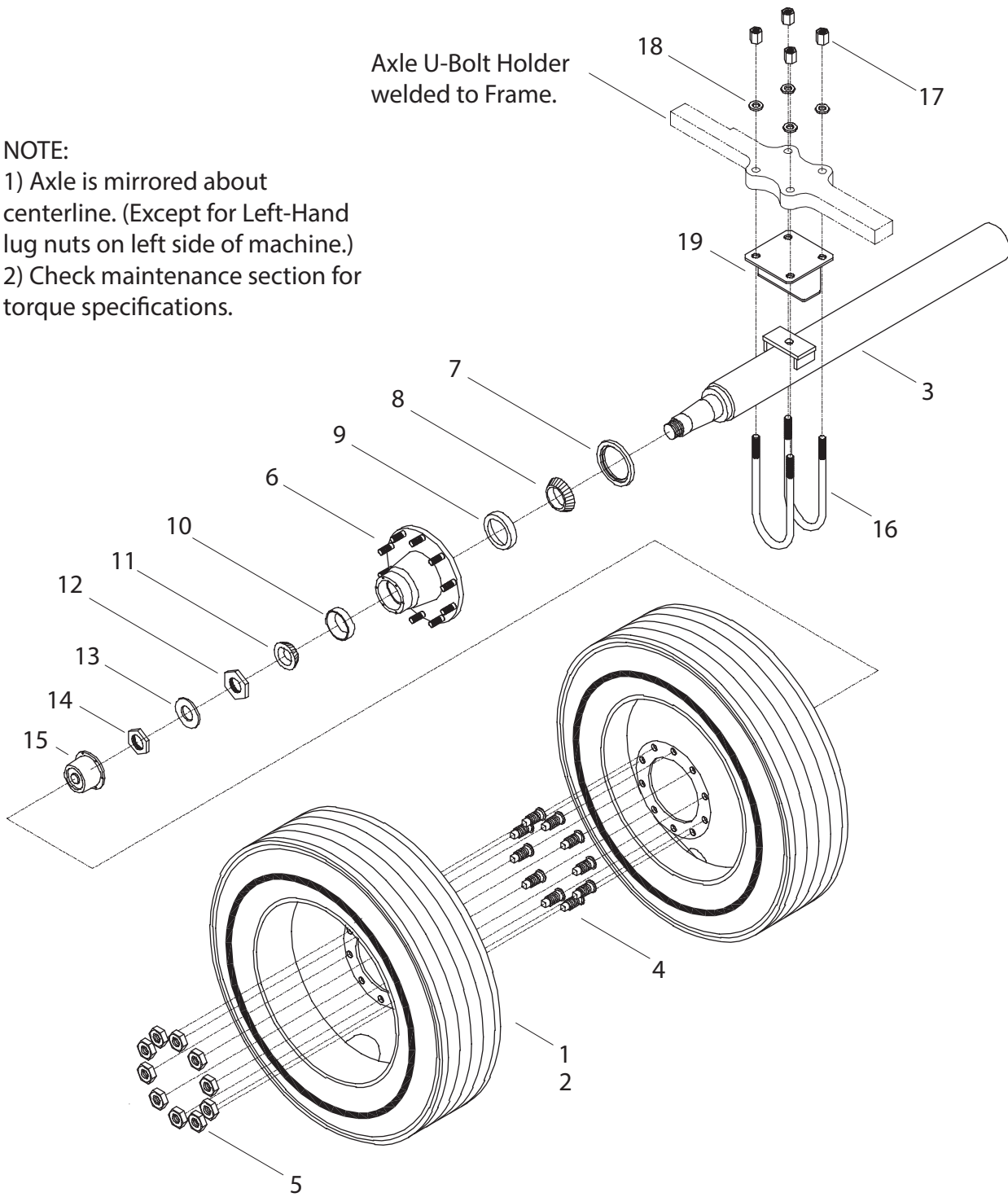
Item	Part No.	Description	Qty
1	10365	Implement Wheel	2
2	10005	21.5x16.1 18Ply I-1 Ribbed Implement Tire.....	2
3	10408	Standard Axle Beam - 106 Lg (Includes Items 4, 5, 6, 7, 8, 9, 10, 11, 12 & 13).....	1
4	10039	LH 10-Bolt - 8.75 Hub	1
	10783	RH 10-Bolt - 8.75 Hub.....	1
5	11677	Hub Oil Cap	2
6	10785	Outside Spindle Nut.....	2
7	10786	Spindle Washer.....	2
8	10787	Inside Spindle Nut.....	2
9	10788	Outside Cone Bearing.....	2
10	10789	Outside Bearing Race.....	2
11	10790	Inside Bearing Race.....	2
12	10791	Inside Cone Bearing	2
13	10792	Oil Seal	2
14	10047	RH Single Lug Nut	10
	10046	LH Single Lug Nut.....	10
15	10077	7/8" x 12" - 5" Round U-Bolt - Plain	4
16	10234	7/8" Heavy Duty High Plain Nut	8
17	10041	7/8" Heavy Duty Washer	8
18	11137	4" Riser Block Painted.....	2
* Quantities Listed Are For One Machine			

HD4SR and 12SR Truck Tire and Axle Assembly - Prior to 2015

HD4SR - Optional Equipment
12SR - Optional Equipment

NOTE:

- 1) Axle is mirrored about centerline. (Except for Left-Hand lug nuts on left side of machine.)
- 2) Check maintenance section for torque specifications.



Truck Tire and Axle Assembly - Prior to 2015

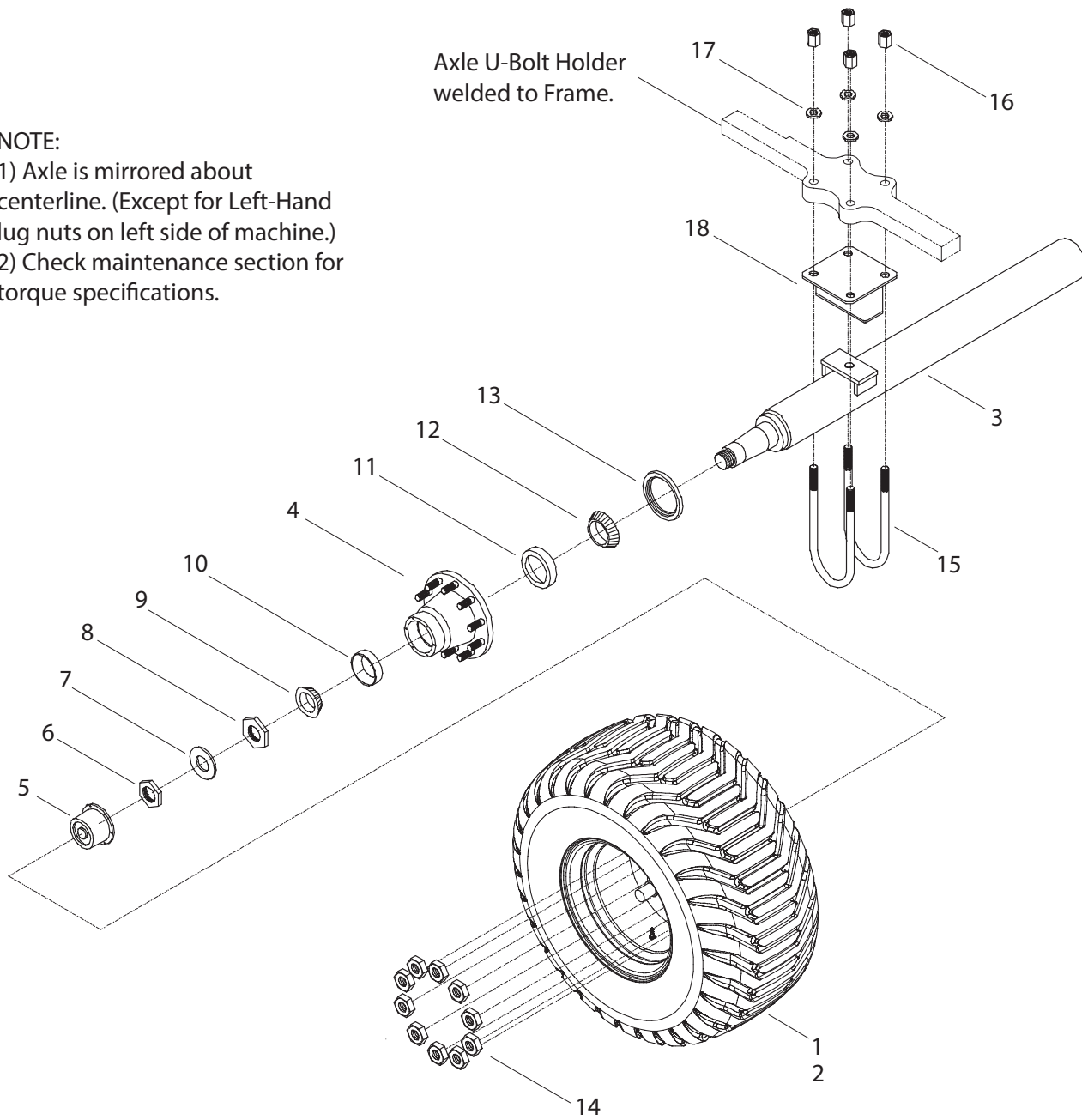
Item	Part No.	Description	Qty
1	10316	11R-24.5 14-Ply Truck Tire.....	4
2	10366	SR 24.5 Truck Wheel.....	4
3	10409	Standard Axle Beam - 105 Lg (Includes Items 6, 7, 8, 9, 10, 11, 12, 13, 14 & 15).....	1
4	10043	RH Dual Lug Nut Inner.....	10
	10042	LH Dual Lug Nut Inner	10
5	10045	RH Dual Lug Nut Outer.....	10
	10044	LH Dual Lug Nut Outer	10
6	10793	RH 10-Bolt - 11.25 Hub.....	1
	10794	LH 10-Bolt - 11.25 Hub	1
7	10792	Oil Seal	2
8	10791	Inside Cone Bearing	2
9	10790	Inside Bearing Race.....	2
10	10789	Outside Bearing Race.....	2
11	10788	Outside Cone Bearing.....	2
12	10787	Inside Spindle Nut.....	2
13	10786	Spindle Washer.....	2
14	10785	Outside Spindle Nut	2
15	11677	Hub Oil Cap	2
16	10077	7/8 x 12 - 5 Round U-Bolt	4
17	10234	7/8 Heavy Duty High Plain Nut	8
18	10041	7/8 Heavy Duty Washer	8
19	10383	Riser Block - 2 inches High.....	2
	11137	Riser Block - 4 inches High - 2001.....	2
		* Quantities Listed Are For One Machine.....	

HD4SR and 12SR Terra Tire and Axle Assembly - Prior to 2015

12SR - Standard Equipment
 HD4SR - Optional Equipment

NOTE:

- 1) Axle is mirrored about centerline. (Except for Left-Hand lug nuts on left side of machine.)
- 2) Check maintenance section for torque specifications.



Terra Tire and Axle Assembly - Prior to 2015

Item	Part No.	Description	Qty
1	10367	Rim - 20 x 22.5 - 10 Bolt	2
	W-3328	Valve Stem (Not Shown)	
2	10006	600/55-22.5 - 16-Ply Terra Tire	2
3	10409	Standard Axle Beam - 105 Lg (Includes Items 4, 5, 6, 7, 8, 9, 10, 11, 12 & 13).....	1
4	10794	LH 10-Bolt - 11.25 Hub	1
	10793	RH 10-Bolt - 11.25 Hub.....	1
5	11677	Hub Oil Cap	2
6	10785	Outside Spindle Nut	2
7	10786	Spindle Washer.....	2
8	10787	Inside Spindle Nut.....	2
9	10788	Outside Cone Bearing.....	2
10	10789	Outside Bearing Race.....	2
11	10790	Inside Bearing Race.....	2
12	10791	Inside Cone Bearing	2
13	10792	Oil Seal	2
14	10047	RH Single Lug Nut	10
	10046	LH Single Lug Nut.....	10
15	10077	7/8 x 12 - 5 Round U-Bolt - Plain	4
16	10234	7/8 Heavy Duty High Plain Nut	8
17	10041	7/8 Heavy Duty Washer	8
18	10383	Riser Block - 2 inches High.....	2
* Quantities Listed Are For One Machine			

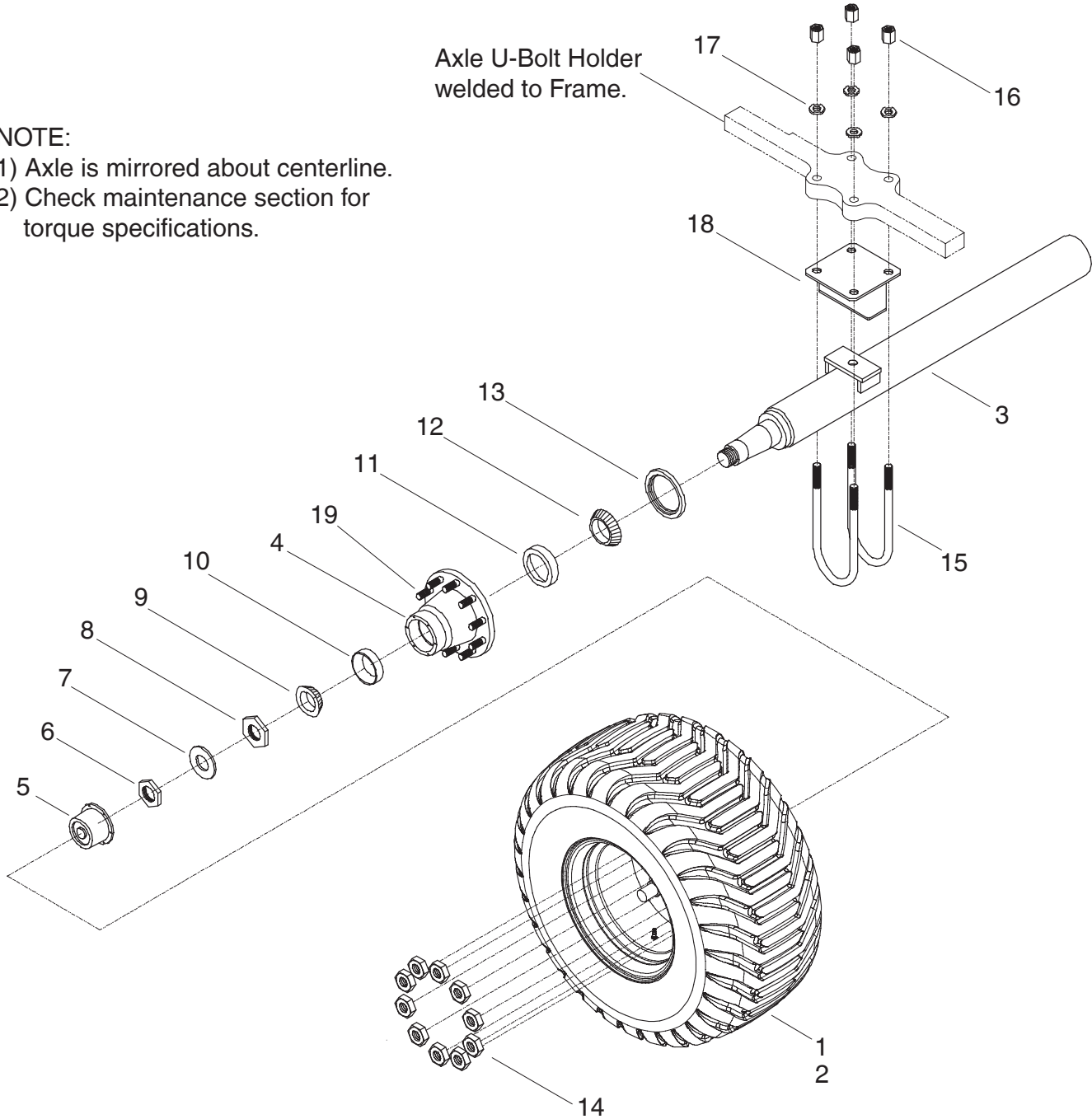
HD4SR and 12SR Terra Tire and Axle Assembly - 2015 to Present

12SR - Standard Equipment - from serial number SR12153114 and on.

HD4SR - Standard Equipment - from SR4151368 to SR4151372 and from serial number SR4151376 and on.

NOTE:

- 1) Axle is mirrored about centerline.
- 2) Check maintenance section for torque specifications.

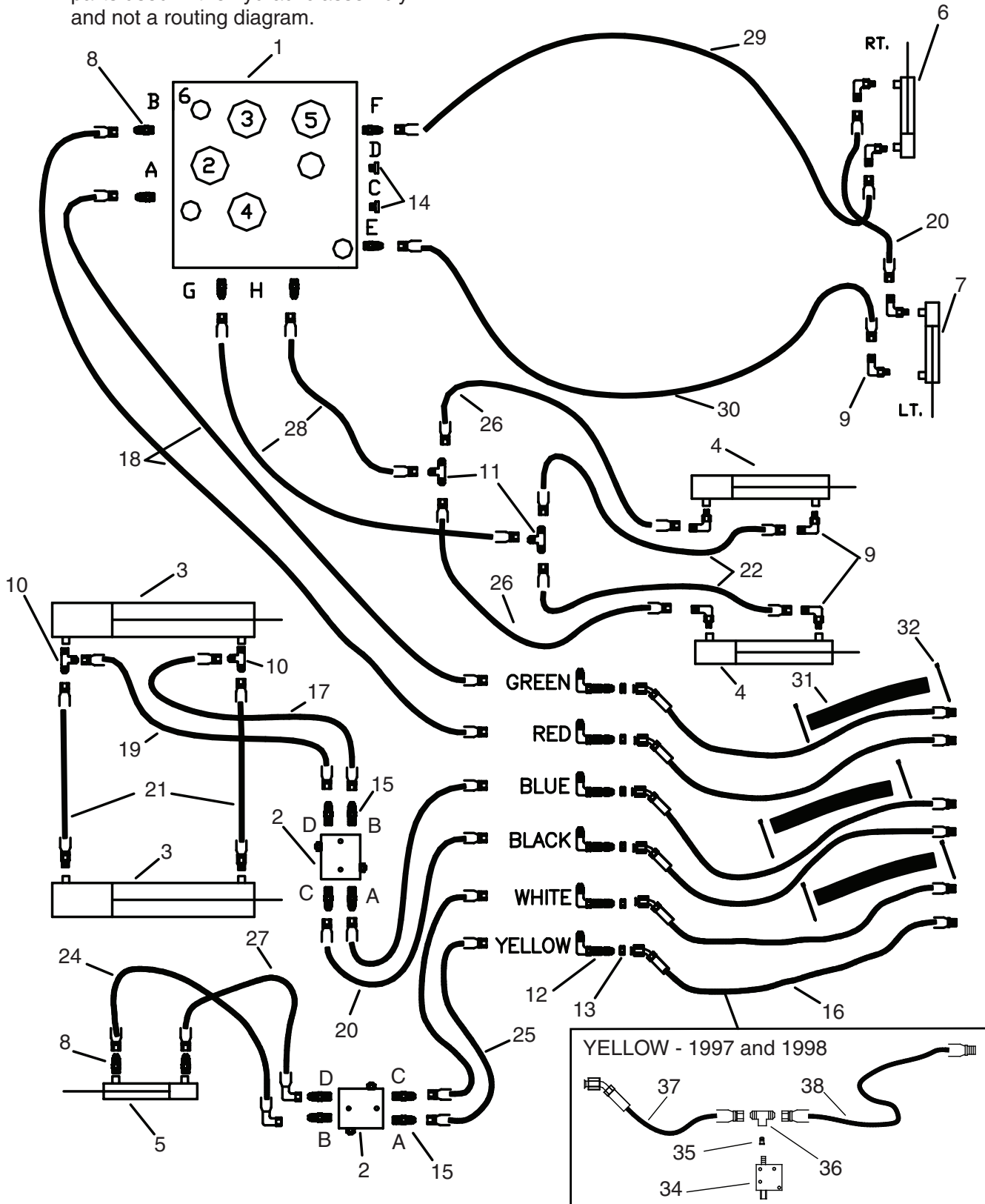


Terra Tire and Axle Assembly - 2015 to Present

Item	Part No.	Description	Qty
1	K56776	Rim - 20 x 22.5 - 10 Bolt.....	2
	W-3328	Valve Stem (Not Shown)	
2	K56777	Tire - 600/50-22.5 - 16-Ply - TVS Eurogrip	2
3	10409	Standard Axle Beam - 105 Lg (Includes Items 4, 5, 6, 7, 8, 9, 10, 11, 12 & 13).....	1
4	10793	RH 10-Bolt - 11.25 Hub (Includes wheel studs).....	2
5	11677	Hub Oil Cap	2
6	10785	Outside Spindle Nut.....	2
7	10786	Spindle Washer.....	2
8	10787	Inside Spindle Nut.....	2
9	10788	Outside Cone Bearing.....	2
10	10789	Outside Bearing Race.....	2
11	10790	Inside Bearing Race.....	2
12	10791	Inside Cone Bearing	2
13	10792	Oil Seal	2
14	10047	RH Single Lug Nut	20
15	10077	7/8 x 12 - 5 Round U-Bolt - Plain	4
16	10234	7/8 Heavy Duty High Plain Nut	8
17	10041	7/8 Heavy Duty Washer	8
18	11137	Riser Block - 4 inches High.....	2
19	12100	RH Wheel Stud - 3/4 x 2-5/8 Lg (Vendor #s WEBB 198510 or EUCLID E4968R)	20
* Quantities Listed Are For One Machine			

HD4SR and 12SR HD4SR Hydraulic Hose Schematic

Note: This is a representation of the parts used in the hydraulic assembly and not a routing diagram.



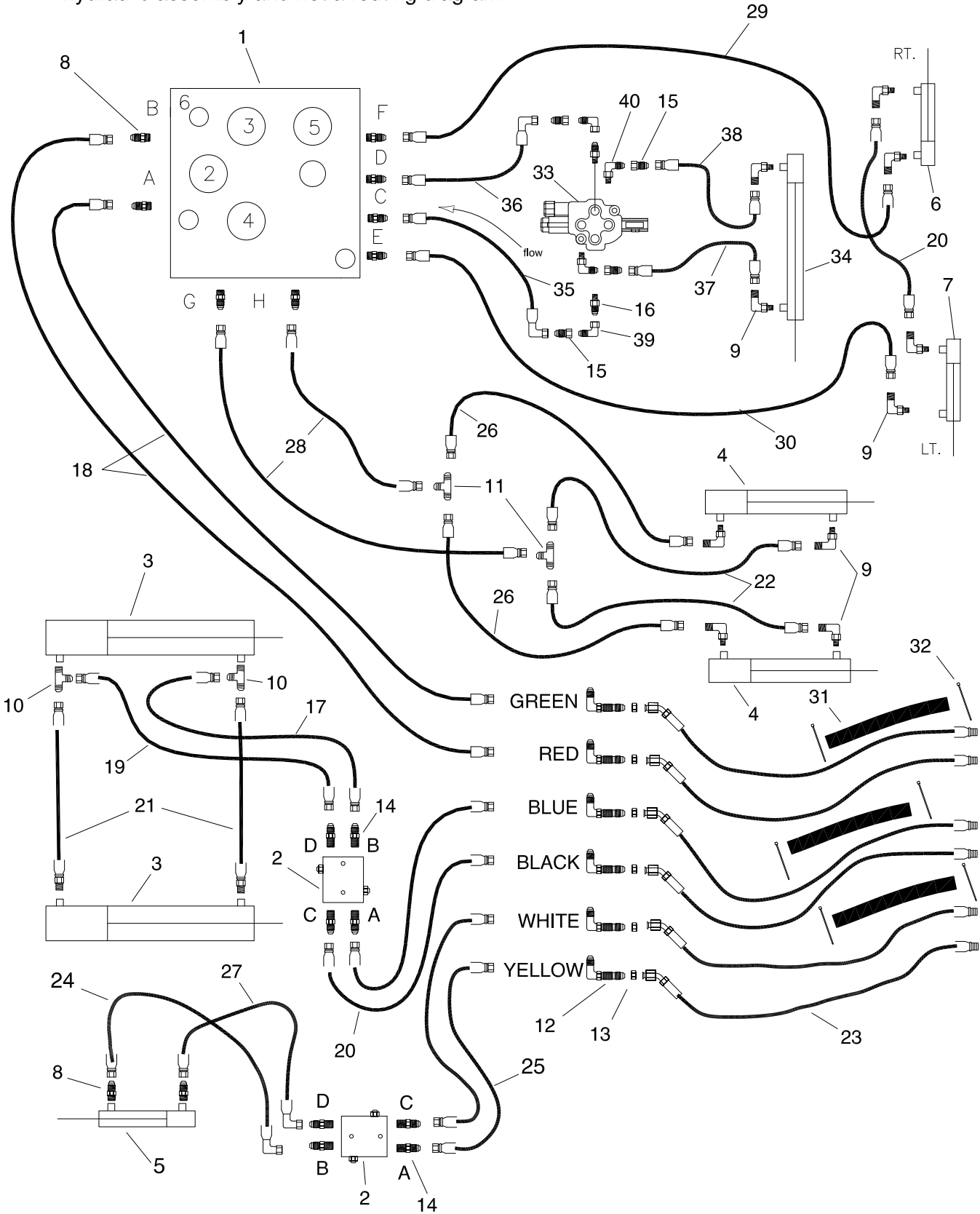
HD4SR Hydraulic Hose Schematic

Item	Part No.	Description	Qty
1	K56756	Manifold Valve	1
	K44257	Manifold Block - D3403C SI	
	K44258	Cavity Plug - #XBOA-XXN - PORT 2 (K60255 Seal Kit)	
	K44259	Sequence Valve - #SCEA-LAN - PORT 3 (K60255 Seal Kit)	
	K44260	Counterbalance Valve-#CBEA-LHN - PORT 4 (K60255 Seal Kit)	
	K44261	Sequence Valve - #RSFC-LAN - PORT 5 (K60255 Seal Kit)	
	K44262	Check Valve - #CXCD-XZN - PORT 6 (K60256 Seal Kit)	
2	11723	Cushion Valve - 2000 PSI	2
	10328	2000 PSI Cushion Valve Painted - 1997 to 2001	2
3	10033	Bed Cylinder	2
4	10032	Loader Cylinder.....	2
5	12302	Hitch Cylinder.....	1
6	10035	RH Alignment Cylinder.....	1
7	10034	LH Alignment Cylinder	1
8	10178	Connector - 08 MJIC To 08 MORB - (C15330)	8
9	10180	90 Degree Elbow ORB Adapter	8
10	10187	Tee - 08 ORB To 08 JIC To 08 JIC	2
11	10186	Tee - 08 JIC To 08 JIC To 08 JIC.....	2
12	10181	Bulkhead Fitting - 08 90 Degree	6
13	10171	Bulkhead Fitting Jam Nut - 08.....	6
14	10174	Port Plug - 08 ORB	2
15	10177	Connector - 08 MJIC To 12 MORB	8
	10175	Connector - 08 MJIC To 1/2 Pipe Male - 1997 to 2001	8
16	10168	Hose - 1/2 x 252 Lg - #8 3/4-16 FJIC 45 Degree Swivel x 1/2-14 MNPT	6
17	10083	Hose - 1/2 x 102 Lg - #8 3/4-16 FJIC Swivel	1
18	10086	Hose - 1/2 x 201 Lg - #8 3/4-16 FJIC Swivel	2
19	10675	Hose - 1/2 x 85 Lg - #8 3/4-16 FJIC Swivel	1
20	10865	Hose - 1/2 x 61 Lg - #8 3/4-16 FJIC Swivel	3
21	10085	Hose - 1/2 x 57 Lg - #8 3/4-16 FJIC Swivel x #8 3/4-16 MORB.....	2
22	10866	Hose - 1/2 x 80 Lg - #8 3/4-16 FJIC Swivel	2
23	*****		
24	10081	Hose - 1/2 x 42 Lg - #8 3/4-16 FJIC Swivel x #8 3/4-16 FJIC 90 Degree Swivel.....	1
25	10329	Hose - 1/2 x 40 Lg - #8 3/4-16 FJIC Swivel	2
26	10868	Hose - 1/2 x 88 Lg - #8 3/4-16 FJIC Swivel	2
27	10691	Hose - 1/2 x 36 Lg - #8 3/4-16 FJIC Swivel x #8 3/4-16 FJIC 90 Degree Swivel.....	1
28	10869	Hose - 1/2 x 17 Lg - #8 3/4-16 FJIC Swivel	2
29	10890	Hose - 1/2 x 111 Lg - #8 3/4-16 FJIC Swivel	1
30	10879	Hose - 1/2 x 114 Lg - #8 3/4-16 FJIC Swivel	1
31	10185	Hose Sheathing - 3 ft	3
32	10080	Tie Strap - 11 Lg	6
33	C-817	Male Tip - 1/2 FNPT (Not Shown).....	6
34	10190	Modified Pressure Switch (Wired) - 1997 to 1998	1
35	10172	06 x 04 Bushing - 1997 to 1998	1
36	10188	Tee - 08 Female Branch - 1997 to 1998.....	1
37	10169	Hose - 201" 608/688 - 1997 to 1998	1
38	10396	Hose - 69" 608/108 - 1997 to 1998	1

HD4SR and 12SR 12SR Hydraulic Hose Schematic - 2015 to Present

For Serial Number - SR12153114 and Up

Note: This is a representation of the parts used in the hydraulic assembly and not a routing diagram.



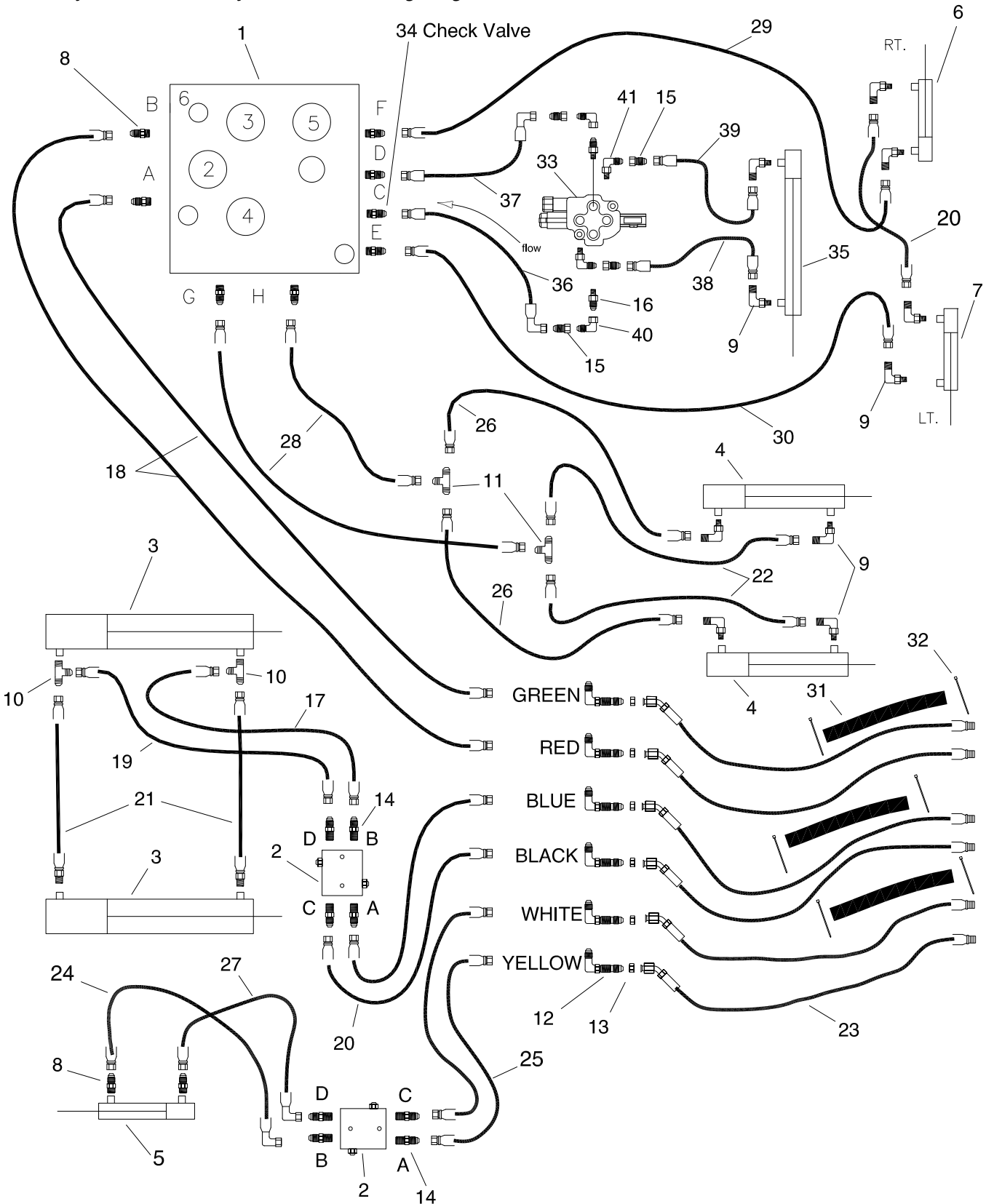
12SR Hydraulic Hose Schematic - 2015 to Present

Item	Part No.	Description	Qty
1	K56756	Manifold Valve	1
	K44257	Manifold Block - D3403C SI	
	K44258	Cavity Plug - #XBOA-XXN - PORT 2 (K60255 Seal Kit)	
	K44259	Sequence Valve - #SCEA-LAN - PORT 3 (K60255 Seal Kit)	
	K44260	Counterbalance Valve-#CBEA-LHN - PORT 4 (K60255 Seal Kit)	
	K44261	Sequence Valve - #RSFC-LAN - PORT 5 (K60255 Seal Kit)	
	K44262	Check Valve - #CXCD-XZN - PORT 6 (K60256 Seal Kit)	
2	11723	Cushion Valve - 2000 PSI	2
3	10033	Bed Cylinder	2
4	10032	Loader Cylinder.....	2
5	12302	Hitch Cylinder 2004.....	1
6	10035	RH Alignment Cylinder.....	1
7	10034	LH Alignment Cylinder	1
8	10178	Connector - 08 MJIC To 08 MORB - (C15330)	10
9	10180	90 Degree Elbow - 08 MJIC To 08 MORB (C15317).....	10
10	10187	Tee - 08 MORB To 08 MJIC To 08 MJIC	2
11	10186	Tee - 08 MJIC To 08 MJIC To 08 MJIC (D10819).....	2
12	10181	90 Degree Bulkhead Fitting - 08	6
13	10171	Bulkhead Fitting Jam Nut - 08.....	6
14	10177	Connector - 08 MJIC To 12 MORB	8
15	N37876	Connector - 3/4-16 (#08) MJIC x 9/16-18 (#06) FJIC	4
16	N29358	Connector - 9/16-18 (#06) MJIC x 9/16-18 (#06) MORB	2
17	10083	Hose - 1/2 x 102 Lg - #8 3/4-16 FJIC Swivel	1
18	10086	Hose - 1/2 x 201 Lg - #8 3/4-16 FJIC Swivel	2
19	10675	Hose - 1/2 x 85 Lg - #8 3/4-16 FJIC Swivel	1
20	10865	Hose - 1/2 x 61 Lg - #8 3/4-16 FJIC Swivel	3
21	10085	Hose - 1/2 x 57 Lg - #8 3/4-16 FJIC Swivel x #8 3/4-16 MORB.....	2
22	10866	Hose - 1/2 x 80 Lg - #8 3/4-16 FJIC Swivel	2
23	10168	Hose - 1/2 x 252 Lg - #8 3/4-16 FJIC 45 Degree Swivel x 1/2-14 MNPT	6
24	10081	Hose - 1/2 x 42 Lg - #8 3/4-16 FJIC Swivel x #8 3/4-16 FJIC 90 Degree Swivel.....	1
25	10329	Hose - 1/2 x 40 Lg - #8 3/4-16 FJIC Swivel	2
26	10868	Hose - 1/2 x 88 Lg - #8 3/4-16 FJIC Swivel	2
27	10691	Hose - 1/2 x 36 Lg - #8 3/4-16 FJIC Swivel x #8 3/4-16 FJIC 90 Degree Swivel.....	1
28	10869	Hose - 1/2 x 17 Lg - #8 3/4-16 FJIC Swivel	2
29	10890	Hose - 1/2 x 111 Lg - #8 3/4-16 FJIC Swivel	1
30	10879	Hose - 1/2 x 114 Lg - #8 3/4-16 FJIC Swivel	1
31	10185	Hose Sheathing - 3 ft	3
32	10080	Zip-Tie - 11 Lg.....	6
33	K53973	Directional Control Valve - Grab Hook	1
34	12166	Grab Hook Cylinder 03	1
35	10874	Hose - 1/2 x 48 Lg - #8 3/4-16 FJIC Swivel x #8 3/4-16 FJIC 90 Degree Swivel.....	1
36	12244	Hose - 1/2 x 51 Lg - #8 3/4-16 FJIC Swivel x #8 3/4-16 FJIC 90 Degree Swivel.....	1
37	10863	Hose - 1/2 x 35 Lg - #8 3/4-16 FJIC Swivel	1
38	10329	Hose - 1/2 x 40 Lg - #8 3/4-16 FJIC Swivel	1
39	S29967	90 Elbow - Swivel - 9/16-18 (#06) FJIC x 9/16-18 (#06) MJIC.....	2
40	N16143	90 Elbow - 9/16-18 (#06) MJIC x 9/16-18 (#06) MORB.....	2
41	C-817	Male Tip - 1/2 FNPT (Not Shown).....	6

HD4SR and 12SR 12SR Hydraulic Hose Schematic - 2014 to 2015

For Serial Number - SR12143100 to SR12153113

Note: This is a representation of the parts used in the hydraulic assembly and not a routing diagram.



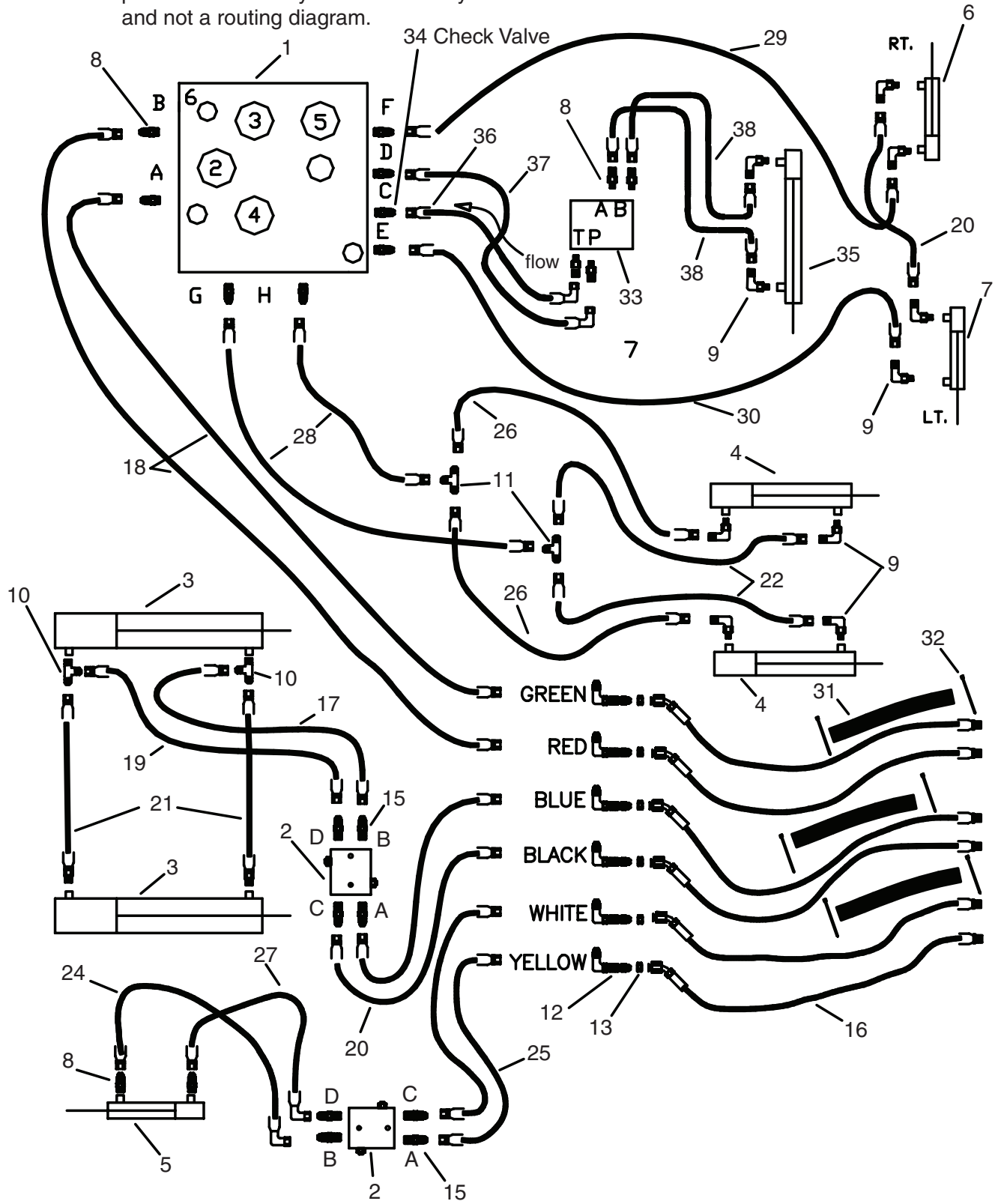
12SR Hydraulic Hose Schematic - 2014 to 2015

Item	Part No.	Description	Qty
1	10222	Manifold Valve (Replaced with K56756).....	1
	K44257	Manifold Block - D3403C SI	
	K44258	Cavity Plug - #XBOA-XXN - PORT 2 (K60255 Seal Kit)	
	K44259	Sequence Valve - #SCEA-LAN - PORT 3 (K60255 Seal Kit)	
	K44260	Counterbalance Valve-#CBEA-LHN - PORT 4 (K60255 Seal Kit)	
	K44261	Sequence Valve - #RSFC-LAN - PORT 5 (K60255 Seal Kit)	
	K44262	Check Valve - #CXCD-XZN - PORT 6 (K60256 Seal Kit)	
2	11723	Cushion Valve - 2000 PSI	2
3	10033	Bed Cylinder	2
4	10032	Loader Cylinder.....	2
5	12302	Hitch Cylinder 2004.....	1
6	10035	RH Alignment Cylinder.....	1
7	10034	LH Alignment Cylinder	1
8	10178	08 JIC To 08 ORB Straight Port Adapter (C15330).....	8
9	10180	90 Degree Elbow ORB Adapter	10
10	10187	08 ORB To 08 JIC To 08 JIC Run Tee	2
11	10186	08 JIC To 08 JIC To 08 JIC Union Tee.....	2
12	10181	08 90 Degree Bulkhead Fitting	6
13	10171	08 Bulkhead Fitting Jam Nut.....	6
14	10177	08 JIC To 12 ORB Straight Male Adapter	8
15	N37876	Connector - 3/4-16 (#08) MJIC x 9/16-18 (#06) FJIC	4
16	N29358	Connector - 9/16-18 (#06) MJIC x 9/16-18 (#06) MORB	2
17	10083	Hose - 1/2 x 102 Lg - #8 3/4-16 FJIC Swivel	1
18	10086	Hose - 1/2 x 201 Lg - #8 3/4-16 FJIC Swivel	2
19	10675	Hose - 1/2 x 85 Lg - #8 3/4-16 FJIC Swivel	1
20	10865	Hose - 1/2 x 61 Lg - #8 3/4-16 FJIC Swivel	3
21	10085	Hose - 1/2 x 57 Lg - #8 3/4-16 FJIC Swivel x #8 3/4-16 MORB.....	2
22	10866	Hose - 1/2 x 80 Lg - #8 3/4-16 FJIC Swivel	2
23	10168	Hose - 1/2 x 252 Lg - #8 3/4-16 FJIC 45 Degree Swivel x 1/2-14 MNPT	6
24	10081	Hose - 1/2 x 42 Lg - #8 3/4-16 FJIC Swivel x #8 3/4-16 FJIC 90 Degree Swivel.....	1
25	10329	Hose - 1/2 x 40 Lg - #8 3/4-16 FJIC Swivel	2
26	10868	Hose - 1/2 x 88 Lg - #8 3/4-16 FJIC Swivel	2
27	10691	Hose - 1/2 x 36 Lg - #8 3/4-16 FJIC Swivel x #8 3/4-16 FJIC 90 Degree Swivel.....	1
28	10869	Hose - 1/2 x 17 Lg - #8 3/4-16 FJIC Swivel	2
29	10890	Hose - 1/2 x 111 Lg - #8 3/4-16 FJIC Swivel	1
30	10879	Hose - 1/2 x 114 Lg - #8 3/4-16 FJIC Swivel	1
31	10185	Hose Sheathing - 3 ft	3
32	10080	Zip-Tie - 11 Lg.....	6
33	K53973	Directional Control Valve - Grab Hook	1
34	10854	Check Valve Adapter 5 PSI	1
35	12166	Grab Hook Cylinder 03	1
36	10874	Hose - 1/2 x 48 Lg - #8 3/4-16 FJIC Swivel x #8 3/4-16 FJIC 90 Degree Swivel.....	1
37	12244	Hose - 1/2 x 51 Lg - #8 3/4-16 FJIC Swivel x #8 3/4-16 FJIC 90 Degree Swivel.....	1
38	10863	Hose - 1/2 x 35 Lg - #8 3/4-16 FJIC Swivel	1
39	10329	Hose - 1/2 x 40 Lg - #8 3/4-16 FJIC Swivel	1
40	S29967	90 Elbow - Swivel - 9/16-18 (#06) FJIC x 9/16-18 (#06) MJIC.....	2
41	N16143	90 Elbow - 9/16-18 (#06) MJIC x 9/16-18 (#06) MORB.....	2
42	C-817	Male Tip - 1/2 FNPT (Not Shown).....	6

HD4SR and 12SR 12SR Hydraulic Hose Schematic - 2004 to 2013

For Serial Numbers - Prior to SR12143100

Note: This is a representation of the parts used in the hydraulic assembly and not a routing diagram.

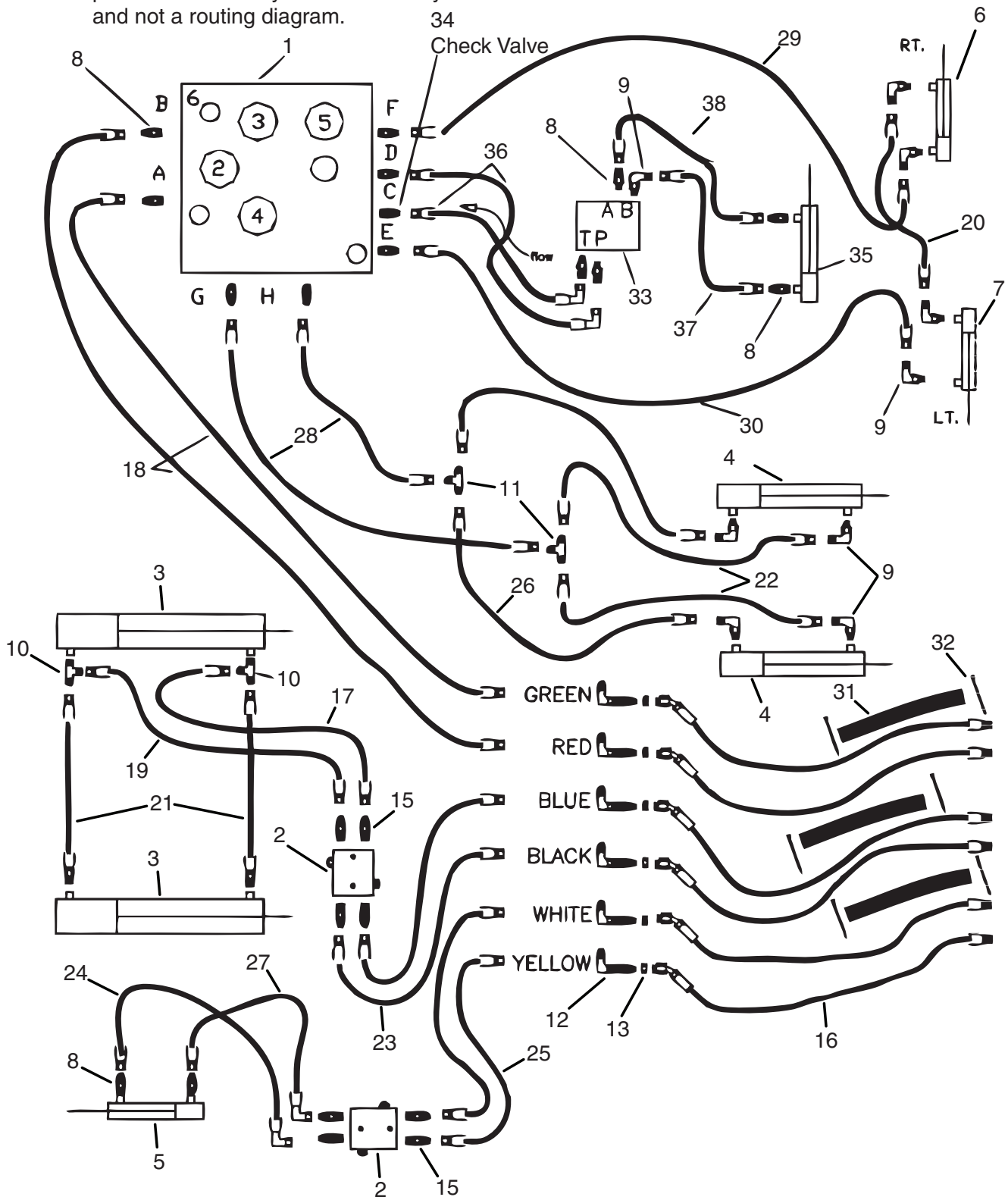


12SR Hydraulic Hose Schematic - 2004 to 2013

Item	Part No.	Description	Qty
1	10222	Manifold Valve (Replaced with K56756).....	1
	K44257	Manifold Block - D3403C SI	
	K44258	Cavity Plug - #XBOA-XXN - PORT 2 (K60255 Seal Kit)	
	K44259	Sequence Valve - #SCEA-LAN - PORT 3 (K60255 Seal Kit)	
	K44260	Counterbalance Valve-#CBEA-LHN - PORT 4 (K60255 Seal Kit)	
	K44261	Sequence Valve - #RSFC-LAN - PORT 5 (K60255 Seal Kit)	
	K44262	Check Valve - #CXCD-XZN - PORT 6 (K60256 Seal Kit)	
2	11723	Cushion Valve - 2000 PSI	2
3	10033	Bed Cylinder	2
4	10032	Loader Cylinder.....	2
5	12302	Hitch Cylinder 2004.....	1
6	10035	RH Alignment Cylinder.....	1
7	10034	LH Alignment Cylinder	1
8	10178	08 JIC To 08 ORB Straight Port Adapter (C15330).....	12
9	10180	90 Degree Elbow ORB Adapter	10
10	10187	08 ORB To 08 JIC To 08 JIC Run Tee	2
11	10186	08 JIC To 08 JIC To 08 JIC Union Tee.....	2
12	10181	08 90 Degree Bulkhead Fitting	6
13	10171	08 Bulkhead Fitting Jam Nut.....	6
14	*****		
15	10177	08 JIC To 12 ORB Straight Male Adapter	8
16	10168	Hose - 1/2 x 252 Lg - #8 3/4-16 FJIC 45 Degree Swivel x 1/2-14 MNPT	6
17	10083	Hose - 1/2 x 102 Lg - #8 3/4-16 FJIC Swivel	1
18	10086	Hose - 1/2 x 201 Lg - #8 3/4-16 FJIC Swivel	2
19	10675	Hose - 1/2 x 85 Lg - #8 3/4-16 FJIC Swivel	1
20	10865	Hose - 1/2 x 61 Lg - #8 3/4-16 FJIC Swivel	3
21	10085	Hose - 1/2 x 57 Lg - #8 3/4-16 FJIC Swivel x #8 3/4-16 MORB.....	2
22	10866	Hose - 1/2 x 80 Lg - #8 3/4-16 FJIC Swivel	2
23	*****		
24	10081	Hose - 1/2 x 42 Lg - #8 3/4-16 FJIC Swivel x #8 3/4-16 FJIC 90 Degree Swivel.....	1
25	10329	Hose - 1/2 x 40 Lg - #8 3/4-16 FJIC Swivel	2
26	10868	Hose - 1/2 x 88 Lg - #8 3/4-16 FJIC Swivel	2
27	10691	Hose - 1/2 x 36 Lg - #8 3/4-16 FJIC Swivel x #8 3/4-16 FJIC 90 Degree Swivel.....	1
28	10869	Hose - 1/2 x 17 Lg - #8 3/4-16 FJIC Swivel	2
29	10890	Hose - 1/2 x 111 Lg - #8 3/4-16 FJIC Swivel	1
30	10879	Hose - 1/2 x 114 Lg - #8 3/4-16 FJIC Swivel	1
31	10185	Hose Sheathing - 3 ft	3
32	10080	Zip-Tie - 11 Lg.....	6
33	10397	Grab Hook Valve	1
34	10854	Check Valve Adapter 5 PSI	1
35	12166	Grab Hook Cylinder 03	1
36	10874	Hose - 1/2 x 48 Lg - #8 3/4-16 FJIC Swivel x #8 3/4-16 FJIC 90 Degree Swivel.....	1
37	12244	Hose - 1/2 x 51 Lg - #8 3/4-16 FJIC Swivel x #8 3/4-16 FJIC 90 Degree Swivel.....	1
38	10863	Hose - 1/2 x 35 Lg - #8 3/4-16 FJIC Swivel	2
39	C-817	Male Tip - 1/2 FNPT (Not Shown).....	6

HD4SR and 12SR 12SR Hydraulic Hose Schematic - 2001 to 2003

Note: This is a representation of the parts used in the hydraulic assembly and not a routing diagram.

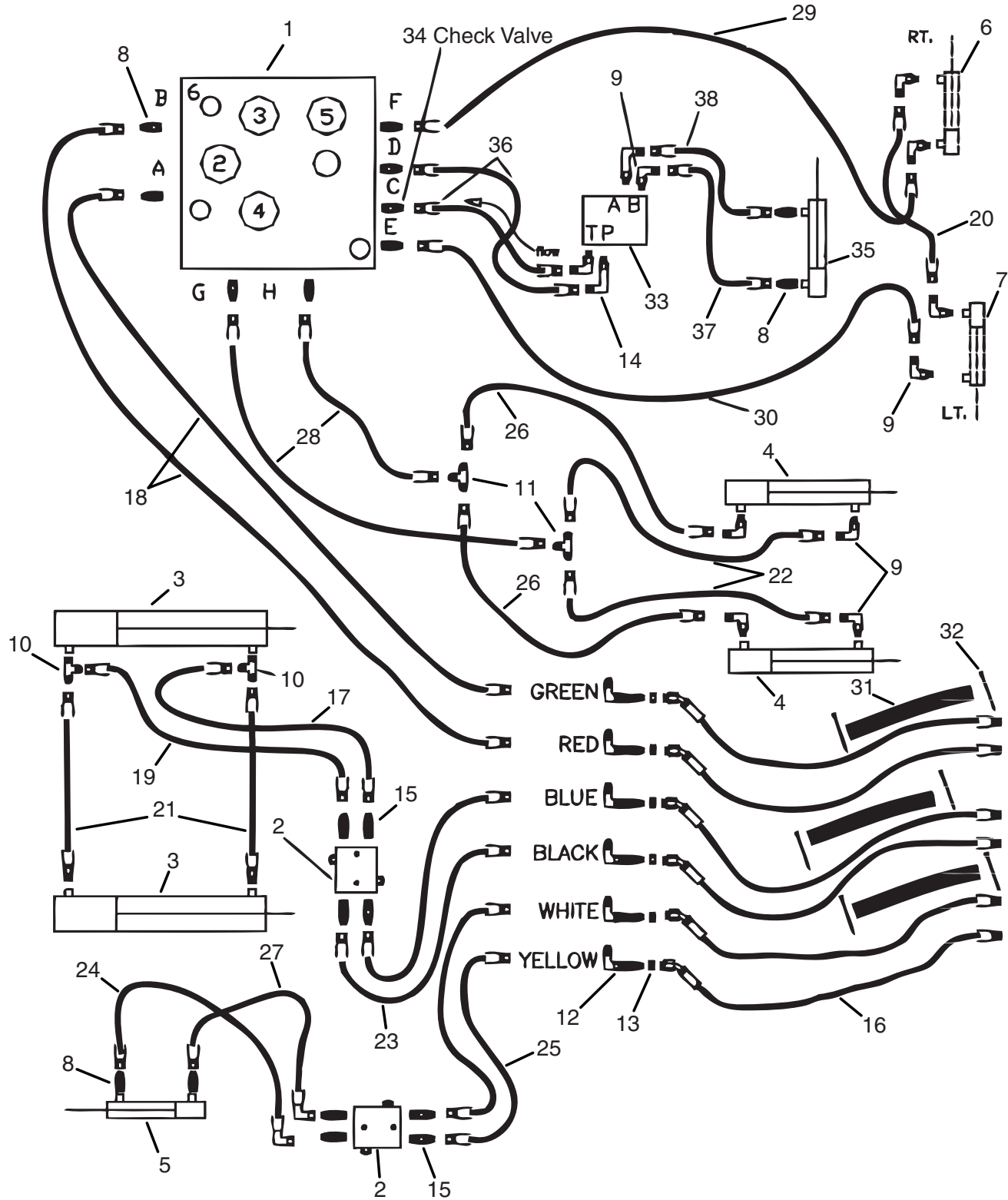


12SR Hydraulic Hose Schematic - 2001 to 2003

Item	Part No.	Description	Qty
1	10222	Manifold Valve (Replaced with K56756).....	1
	K44257	Manifold Block - D3403C SI	
	K44258	Cavity Plug - #XBOA-XXN - PORT 2 (K60255 Seal Kit)	
	K44259	Sequence Valve - #SCEA-LAN - PORT 3 (K60255 Seal Kit)	
	K44260	Counterbalance Valve-#CBEA-LHN - PORT 4 (K60255 Seal Kit)	
	K44261	Sequence Valve - #RSFC-LAN - PORT 5 (K60255 Seal Kit)	
	K44262	Check Valve - #CXCD-XZN - PORT 6 (K60256 Seal Kit)	
2	11723	2000 PSI Cushion Valve Painted - 2002 to 2003	2
	10328	2000 PSI Cushion Valve Painted - 2001	2
3	10033	Bed Cylinder	2
4	10032	Loader Cylinder.....	2
5	10271	Hitch Cylinder.....	1
6	10035	RH Alignment Cylinder.....	1
7	10034	LH Alignment Cylinder	1
8	10178	08 JIC To 08 ORB Straight Port Adapter (C15330).....	13
9	10180	90 Degree Elbow ORB Adapter	19
10	10187	08 ORB To 08 JIC To 08 JIC Run Tee	2
11	10186	08 JIC To 08 JIC To 08 JIC Union Tee.....	2
12	10181	08 90 Degree Bulkhead Fitting	6
13	10171	08 Bulkhead Fitting Jam Nut.....	6
14	*****		
15	10177	08 JIC To 12 ORB Straight Male Adapter	8
16	10168	Hose 252" 688/108.....	6
17	10083	Hose 102" 608/608.....	1
18	10086	Hose 200" 608/608.....	2
19	10675	Hose 85" 608/608.....	1
20	10865	Hose 60.5" 608/608.....	1
21	10085	Hose 57" 608/P08	2
22	10866	Hose 80" 608/608.....	2
23	10090	Hose 48" 608/608.....	2
24	10081	Hose 42" 608/668.....	1
25	10329	Hose 40" 608/608.....	2
26	10868	Hose 88" 608/608.....	2
27	10691	Hose 36" 608/668.....	1
28	10869	Hose 17" 608/608.....	2
29	10890	Hose 111" 608/608.....	1
30	10879	Hose 114" 608/608.....	1
31	10185	3' Hose Sheathing.....	3
32	10080	11" White Zip-Tie.....	6
33	10397	Grab Hook Valve	1
34	10854	Check Valve Adapter 5 PSI	1
35	12166	Grab Hook Cylinder 03	1
	10036	Grab Hook Cylinder - 2001	1
36	10874	Hose 48" 608/668.....	2
37	10862	Hose 608/668.....	1
38	10863	Hose 35" 608/608.....	1

HD4SR and 12SR 12SR Hydraulic Hose Schematic - 2000

Note: This is a representation of the parts used in the hydraulic assembly and not a routing diagram.

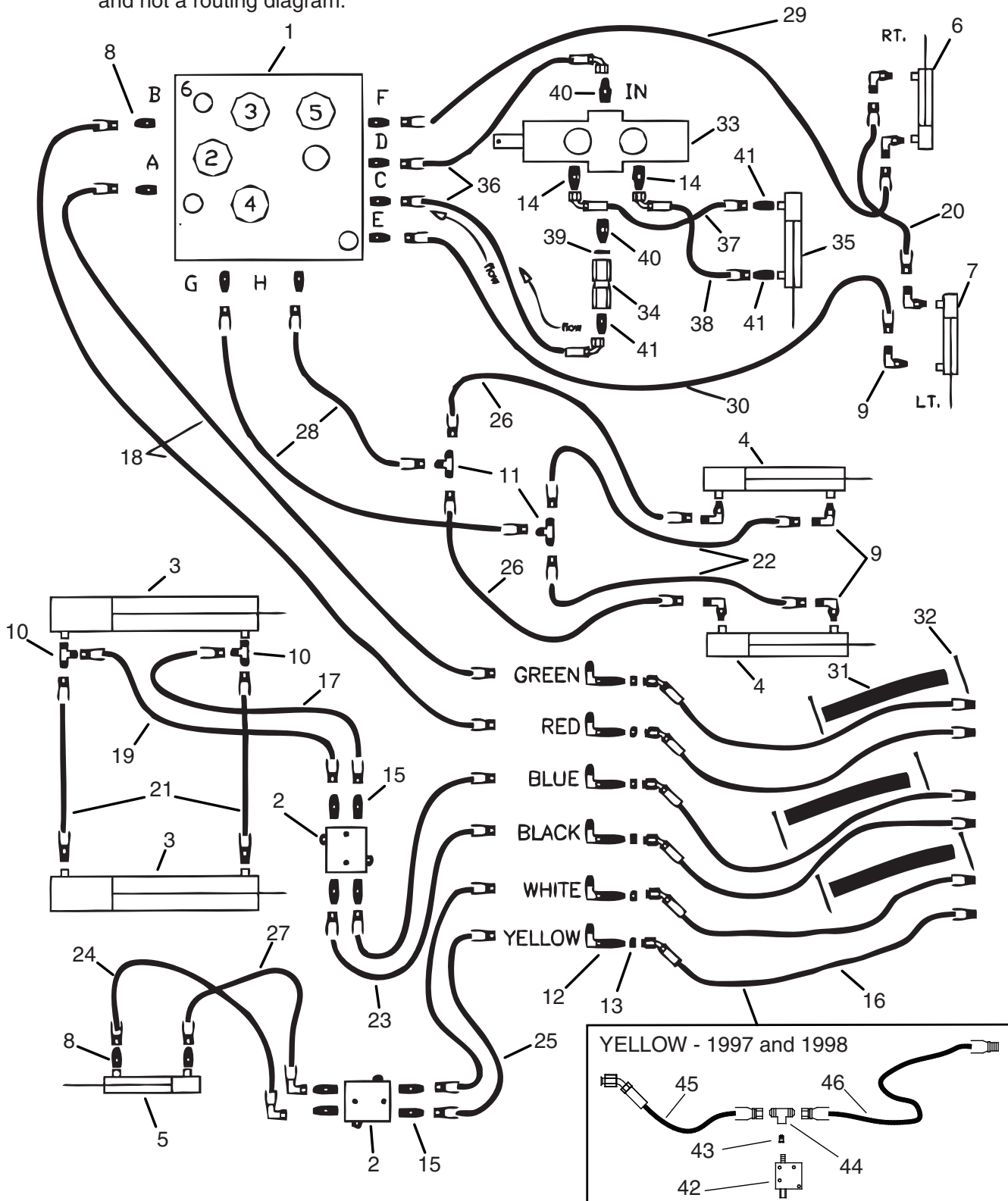


12SR Hydraulic Hose Schematic - 2000

Item	Part No.	Description	Qty
1	10222	Manifold Valve (Replaced with K56756).....	1
	K44257	Manifold Block - D3403C SI	
	K44258	Cavity Plug - #XBOA-XXN - PORT 2 (K60255 Seal Kit)	
	K44259	Sequence Valve - #SCEA-LAN - PORT 3 (K60255 Seal Kit)	
	K44260	Counterbalance Valve-#CBEA-LHN - PORT 4 (K60255 Seal Kit)	
	K44261	Sequence Valve - #RSFC-LAN - PORT 5 (K60255 Seal Kit)	
	K44262	Check Valve - #CXCD-XZN - PORT 6 (K60256 Seal Kit)	
2	10328	2000 PSI Cushion Valve Painted	2
3	10033	Bed Cylinder	2
4	10032	Loader Cylinder.....	2
5	10271	Hitch Cylinder.....	1
6	10035	RH Alignment Cylinder.....	1
7	10034	LH Alignment Cylinder	1
8	10178	08 JIC To 08 ORB Straight Port Adapter (C15330).....	13
9	10180	90 Degree Elbow ORB Adapter	19
10	10187	08 ORB To 08 JIC To 08 JIC Run Tee	2
11	10186	08 JIC To 08 JIC To 08 JIC Union Tee.....	2
12	10181	08 90 Degree Bulkhead Fitting	6
13	10171	08 Bulkhead Fitting Jam Nut.....	6
14	10851	08 JIC To 08 ORB 90 Degree X-Long Adapter	2
15	10175	08 JIC To 1/2" Pipe Straight Male Adapter	8
16	10168	Hose 252" 688/108.....	6
17	10083	Hose 102" 608/608.....	1
18	10086	Hose 200" 608/608.....	2
19	10675	Hose 85" 608/608.....	1
20	10865	Hose - 1/2 x 61 Lg - 08 FJIC swivel ends	1
21	10085	Hose - 1/2 x 57 Lg - 08 FJIC swivel x 08 MORB.....	2
22	10866	Hose - 1/2 x 80 Lg - 08 FJIC swivel ends	2
23	10090	Hose - 1/2 x 48 Lg - 08 FJIC swivel ends	2
24	10081	Hose - 1/2 x 48 Lg - 08 FJIC swivel x 08 FJIC swivel 90 degree end.....	1
25	10329	Hose 40" 608/608.....	2
26	10868	Hose 88" 608/608.....	2
27	10691	Hose 36" 608/668.....	1
28	10869	Hose 17" 608/608.....	2
29	10890	Hose 111" 608/608.....	1
30	10879	Hose 114" 608/608.....	1
31	10185	3' Hose Sheathing.....	3
32	10080	11" White Zip-Tie.....	6
33	10397	Grab Hook Valve	1
34	10854	Check Valve Adapter 5 PSI	1
35	10036	Grab Hook Cylinder	1
36	10090	Hose 608/668.....	2
37	10862	Hose 608/668.....	1
38	10863	Hose 35" 608/608.....	1

HD4SR and 12SR 12SR Hydraulic Hose Schematic - 1998 to 1999

Note: This is a representation of the parts used in the hydraulic assembly and not a routing diagram.



12SR Hydraulic Hose Schematic - 1998 to 1999

Item	Part No.	Description	Qty
1	10222	Manifold Valve (Replaced with K56756).....	1
	K44257	Manifold Block - D3403C SI	
	K44258	Cavity Plug - #XBOA-XXN - PORT 2 (K60255 Seal Kit)	
	K44259	Sequence Valve - #SCEA-LAN - PORT 3 (K60255 Seal Kit)	
	K44260	Counterbalance Valve-#CBEA-LHN - PORT 4 (K60255 Seal Kit)	
	K44261	Sequence Valve - #RSFC-LAN - PORT 5 (K60255 Seal Kit)	
	K44262	Check Valve - #CXCD-XZN - PORT 6 (K60256 Seal Kit)	
2	10328	2000 PSI Cushion Valve Painted	2
3	10033	Bed Cylinder	2
4	10032	Loader Cylinder.....	2
5	10271	Hitch Cylinder.....	1
6	10035	RH Alignment Cylinder.....	1
7	10034	LH Alignment Cylinder	1
8	10178	08 JIC To 08 ORB Straight Port Adapter (C15330).....	13
9	10180	90 Degree Elbow ORB Adapter	19
10	10187	08 ORB To 08 JIC To 08 JIC Run Tee	2
11	10186	08 JIC To 08 JIC To 08 JIC Union Tee.....	2
12	10181	08 90 Degree Bulkhead Fitting	6
13	10171	08 Bulkhead Fitting Jam Nut.....	6
14	10176	08 JIC To 10 ORB Straight Port Adapter.....	2
15	10175	08 JIC To 1/2" Pipe Straight Male Adapter	8
16	10168	Hose 252" 688/108.....	6
17	10083	Hose 102" 608/608.....	1
18	10086	Hose 200" 608/608.....	2
19	10675	Hose 85" 608/608.....	1
20	10865	Hose - 1/2 x 61 Lg - 08 FJIC swivel ends	1
21	10085	Hose - 1/2 x 57 Lg - 08 FJIC swivel x 08 MORB.....	2
22	10866	Hose 80" 608/608.....	2
23	10090	Hose 48" 608/608.....	2
24	10081	Hose 42" 608/668.....	1
25	10329	Hose 40" 608/608.....	2
26	10868	Hose 88" 608/608.....	2
27	10691	Hose 36" 608/668.....	1
28	10869	Hose 17" 608/608.....	2
29	10890	Hose 111" 608/608.....	1
30	000011	Hose 111" 608/608 - Use 10879	1
31	10185	3' Hose Sheathing.....	3
32	10080	11" White Zip-Tie.....	6
33	10124	Grab Hook Valve	1
34	10189	Check Valve	1
35	10036	Grab Hook Cylinder	1
36	10213	Hose 50" 608/668.....	2
37	10864	Hose 30" 608/668.....	1
38	10899	Hose 37" 608/608.....	1
39	10007	08 British O-Ring.....	1
40	10177	08 JIC To 12 ORB Straight Port Adapter.....	2
41	10178	08 JIC To 08 ORB Straight Port Adapter (C15330).....	3
42	10190	Modified Pressure Switch (Wired) - 1997 to 1998	1
43	10172	06 x 04 Bushing - 1997 to 1998	1
44	10188	08 Female Branch Tee - 1997 to 1998	1
45	10169	Hose 201" 608/688 - 1997 to 1998	1
46	10396	Hose 69" 608/108 - 1997 to 1998	1

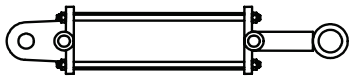
HD4SR and 12SR Cylinder Specification Sheet



Name: Bed Cylinder Part # 10033
 Type: Welded Length: 48 ³/₄"
 Bore X Stroke: 4" X 36"
 Packing Kit # PMCK-AR-704
 Seal Kit # 10990



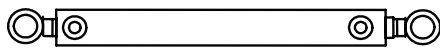
Name: Loader Cylinder Part # 10032
 Type: Welded Length: 32 ⁷/₈"
 Bore X Stroke: 3 ¹/₂" X 20"
 Packing Kit # PMCK-AR-703
 Seal Kit # 10989



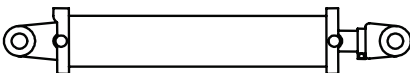
Name: Left Algnmnt Cyl. Part # 10034
 Type: Tie-Rod Length: 19 ⁵/₈"
 Bore X Stroke: 3 ¹/₄" X 8"
 Packing Kit # PMCK-AR-705
 Seal Kit # 10991



Name: Right Algnmnt Cyl. Part # 10035
 Type: Tie-Rod Length: 19 ⁵/₈"
 Bore X Stroke: 3 ¹/₂" X 8"
 Packing Kit # PMCK-AR-706
 Seal Kit # 10992



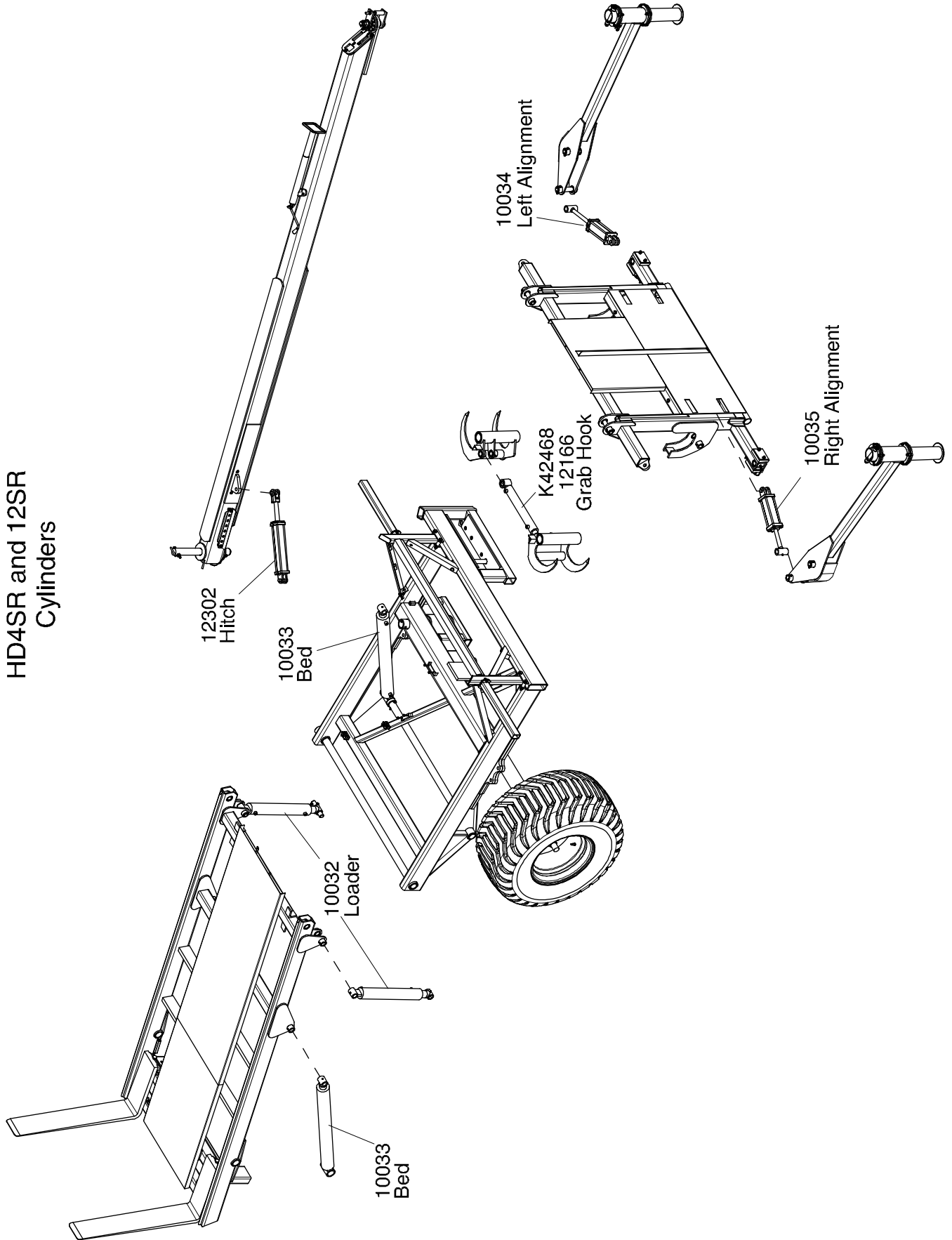
Name: Grab Hook Cyl. Type: Welded Bore X Stroke: 2 ¹ / ₂ " X 16" Packing Kit # PMCK-AR-707 Seal Kit # 10993	Part # 12166 - 2002 to present Part # 10036 - 2001 Part # 10032 - 1998 to 2000 Length: 26 ³ / ₄ "
---	--



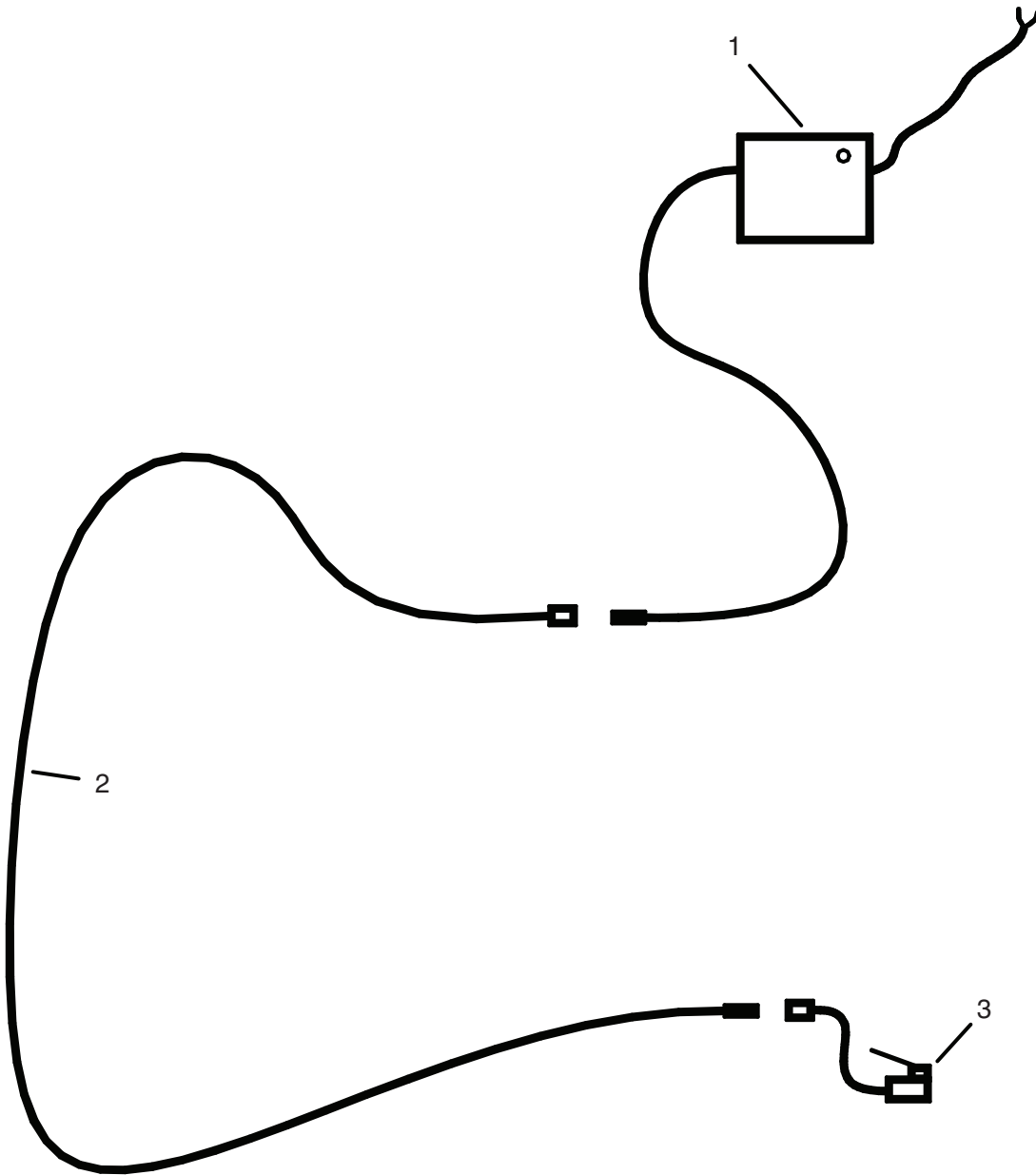
Name: Hitch Cylinder Type: Tie-Rod Bore X Stroke: 3" X 14" Packing Kit # 12459 / PMCK-SAE-9200 (HD4SR) Seal Kit # 10988	Part # 12302 - 2004 to present Part # 10271 - 1998 to 2003 Length: 24 ¹ / ₄ "
---	---

HD4SR and 12SR Cylinder Specification Sheet

HD4SR and 12SR Cylinders

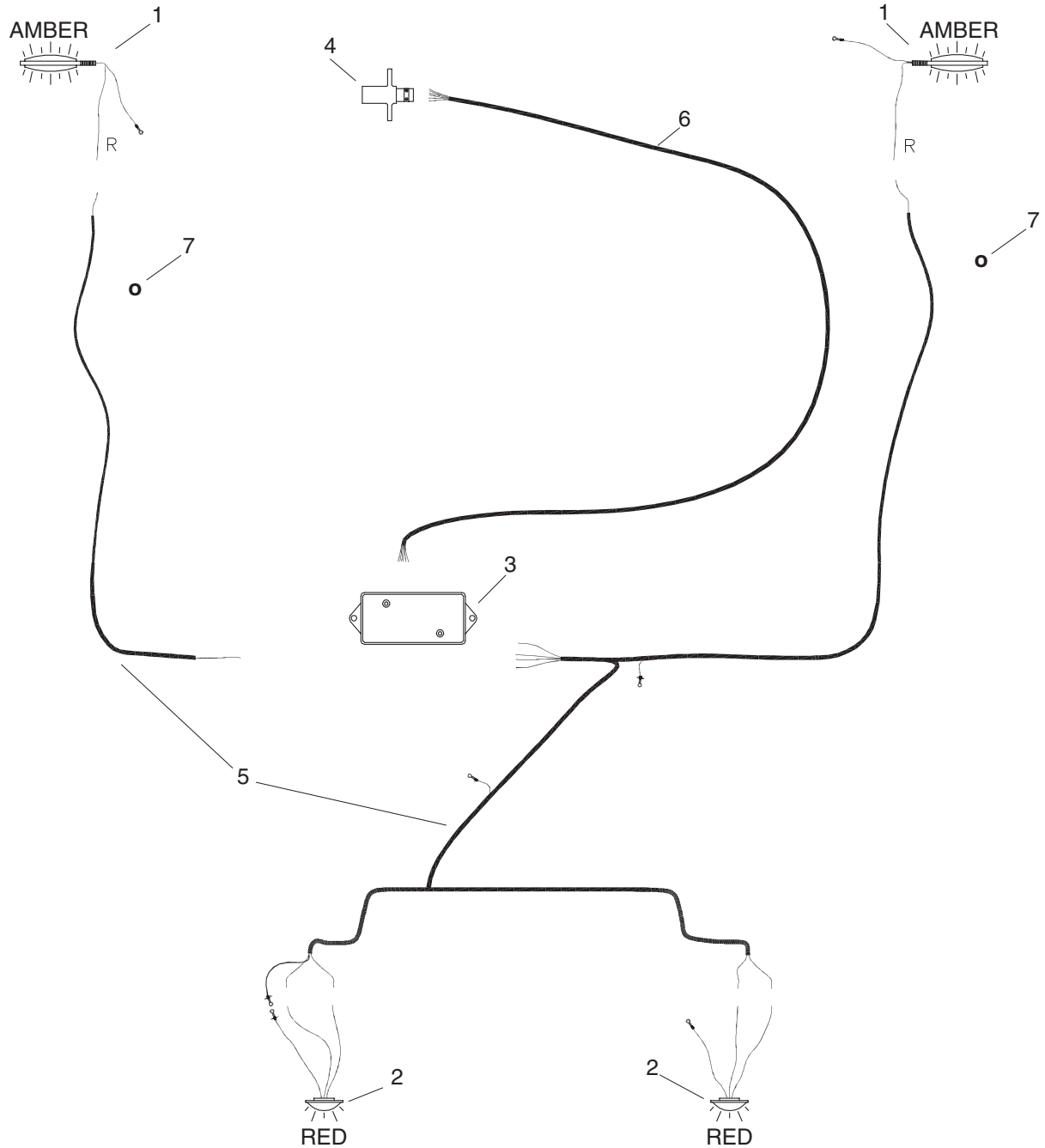


HD4SR and 12SR Electrical Warning Assembly



Item	Part No.	Description	Qty
1	K58936	Warning Light Complete - 2015 to Present.....	1
	10417	Warning Light Complete - Prior to 2015	
2	K58934	Micro Wire - 24 ft Lg - 2015 to Present	1
	10778	Micro Wire - 24 ft Lg - Prior to 2015	
3	K58933	Offset Micro Switch - 2015 to Present	1
	10777	Offset Micro Switch - Prior to 2015	
	K58908	Fuse - 1/10A 250V Fast Acting	

HD4SR and 12SR Electrical Assembly



Item	Part No.	Description	Qty
1	11155	2 Way Amber Lights	2
2	10930	Recessed Red Lights	2
3	10897	7 Wire Junction Box	1
4	C32690	7 Pole Plug Connector	1
5	11545	SR Wiring Harness	1
6	10896	Hitch Wire Harness - 324 Lg (Includes item 4)	1
7	12039	Grommet	2

Index

000011 1-43	10104 1-5	10233 1-11, 1-15, 1-21	10682 1-21
10005 1-23	10124 1-11, 1-43	10234 1-23, 1-25, 1-27, 1-29	10687 1-11
10006 1-27	10129 1-21	10236 1-11	10691 1-31, 1-33, 1-35, 1-37, 1-39, 1-41, 1-43
10007 1-43	10130 1-15	10247 1-21	10722 1-9, 1-11
10011 1-3, 1-12	10131 1-3, 1-17	10248 1-3	10750 1-12, 1-13
10019 1-21	10142 1-21	10256 1-5, 1-9, 1-15	10758 1-11
10025 1-21	10163 1-15	10257 1-12, 1-13	10777 1-46
10032 1-3, 1-31, 1-33, 1-35, 1-37, 1-39, 1-41, 1-43, 1-44	10164 1-13	10258 1-17	10778 1-46
10033 1-3, 1-31, 1-33, 1-35, 1-37, 1-39, 1-41, 1-43, 1-44	10168 1-31, 1-33, 1-35, 1-37, 1-39, 1-41, 1-43	10260 1-15	10783 1-23
10034 1-3, 1-31, 1-33, 1-35, 1-37, 1-39, 1-41, 1-43, 1-44	10169 1-31, 1-43	10271 1-39, 1-41, 1-43, 1-44	10785 1-23, 1-25, 1-27, 1-29
10035 1-3, 1-31, 1-33, 1-35, 1-37, 1-39, 1-41, 1-43, 1-44	10171 1-31, 1-33, 1-35, 1-37, 1-39, 1-41, 1-43	10272 1-11	10786 1-23, 1-25, 1-27, 1-29
10036 1-3, 1-11, 1-39, 1-41, 1-44	10172 1-31, 1-43	10295 1-19	10787 1-23, 1-25, 1-27, 1-29
10039 1-23	10173 1-5	10297 1-19	10788 1-23, 1-25, 1-27, 1-29
10041 1-23, 1-25, 1-27, 1-29	10174 1-31	10302 1-3, 1-5, 1-7, 1-9, 1-12, 1-13, 1-15	10789 1-23, 1-25, 1-27, 1-29
10042 1-25	10175 1-31, 1-41, 1-43	10308 1-17	10790 1-23, 1-25, 1-27, 1-29
10043 1-25	10176 1-43	10313 1-21	10791 1-23, 1-25, 1-27, 1-29
10044 1-25	10177 1-31, 1-33, 1-35, 1-37, 1-39, 1-43	10316 1-25	10792 1-23, 1-25, 1-27, 1-29
10045 1-25	10178 1-31, 1-33, 1-35, 1-37, 1-39, 1-41, 1-43	10328 1-31, 1-39, 1-41, 1-43	10793 1-25, 1-27, 1-29
10046 1-23, 1-27	10180 1-31, 1-33, 1-35, 1-37, 1-39, 1-41, 1-43	10329 1-31, 1-33, 1-35, 1-37, 1-39, 1-41, 1-43	10794 1-25, 1-27
10047 1-23, 1-27, 1-29	10181 1-31, 1-33, 1-35, 1-37, 1-39, 1-41, 1-43	10351 1-5	10811 1-5, 1-15, 1-17, 1-21
10048 1-3, 1-15	10182 1-11	10352 1-21	10813 1-17
10049 1-21	10183 1-5, 1-21	10353 1-13	10816 1-21
10050 1-21	10185 1-31, 1-33, 1-35, 1-37, 1-39, 1-41, 1-43	10354 1-21	10827 1-5
10051 1-21	10186 1-31, 1-33, 1-35, 1-37, 1-39, 1-41, 1-43	10355 1-7, 1-9, 1-11	10841 1-13
10052 1-21	10187 1-31, 1-33, 1-35, 1-37, 1-39, 1-41, 1-43	10357 1-9, 1-11	10842 1-9, 1-11
10057 1-11	10188 1-31, 1-43	10359 1-3	10843 1-9, 1-11
10063 1-15	10189 1-43	10364 1-21	10844 1-11
10065 1-7, 1-9, 1-11	10190 1-31, 1-43	10365 1-23	10845 1-7, 1-9, 1-11
10066 1-21	10193 1-5, 1-9, 1-11	10366 1-25	10846 1-13
10069 1-9, 1-11, 1-21	10197 1-11	10367 1-27	10851 1-41
10070 1-15	10199 1-21	10369 1-21	10854 1-35, 1-37, 1-39, 1-41
10073 1-11	10200 1-21	10383 1-25, 1-27	10862 1-39, 1-41
10074 1-13	10208 1-11	10385 1-3	10863 1-33, 1-35, 1-37, 1-39, 1-41
10075 1-17	10209 1-9, 1-11	10393 1-3	10864 1-43
10076 1-13	10210 1-9, 1-11	10396 1-31, 1-43	10865 1-31, 1-33, 1-35, 1-37, 1-39, 1-41, 1-43
10077 1-23, 1-25, 1-27, 1-29	10213 1-43	10397 1-9, 1-11, 1-37, 1-39, 1-41	10866 1-31, 1-33, 1-35, 1-37, 1-39, 1-41, 1-43
10080 1-31, 1-33, 1-35, 1-37, 1-39, 1-41, 1-43	10214 1-3	10399 1-13	10868 1-31, 1-33, 1-35, 1-37, 1-39, 1-41, 1-43
10081 1-31, 1-33, 1-35, 1-37, 1-39, 1-41, 1-43	10217 1-5, 1-15, 1-17	10400 1-13	10869 1-31, 1-33, 1-35, 1-37, 1-39, 1-41, 1-43
10083 1-31, 1-33, 1-35, 1-37, 1-39, 1-41, 1-43	10220 1-13	10404 1-3	10874 1-33, 1-35, 1-37, 1-39
10085 1-31, 1-33, 1-35, 1-37, 1-39, 1-41, 1-43	10222 1-35, 1-37, 1-39, 1-41, 1-43	10405 1-3	10879 1-31, 1-33, 1-35, 1-37, 1-39, 1-41
10086 1-31, 1-33, 1-35, 1-37, 1-39, 1-41, 1-43	10227 1-5, 1-21	10406 1-3, 1-12	10890 1-31, 1-33, 1-35, 1-37, 1-39, 1-41, 1-43
10090 1-39, 1-41, 1-43	10228 1-11	10408 1-23	10896 1-47
10091 1-11	10229 1-9, 1-11, 1-13, 1-15, 1-17, 1-19	10409 1-25, 1-27, 1-29	10897 1-47
10096 1-11	10230 1-7, 1-9, 1-11, 1-21	10410 1-3	10899 1-43
10097 1-11	10231 1-5, 1-15, 1-17, 1-21	10414 1-15	10930 1-47
10103 1-11		10415 1-17	10936 1-9
		10416 1-15	10988 1-44
		10417 1-46	10989 1-44
		10421 1-15	
		10662 1-12, 1-13, 1-21	
		10675 1-31, 1-33, 1-35, 1-37, 1-39, 1-41, 1-43	
		10677 1-12, 1-13	

10990 1-44	F	P
10991 1-44	F-3405 1-5, 1-15, 1-17, 1-21	P61D20 1-21
10992 1-44	F-3485 1-9	PMCK-AR-703 1-44
10993 1-44		PMCK-AR-704 1-44
11123 1-17	K	PMCK-AR-705 1-44
11124 1-17	K25798 1-15, 1-17	PMCK-AR-706 1-44
11129 1-19	K34987 1-3	PMCK-AR-707 1-44
11132 1-15	K34990 1-3	PMCK-SAE-9200 1-44
11137 1-23, 1-25, 1-29	K42389 1-7	
11155 1-47	K42390 1-7	S
11545 1-47	K42393 1-7, 1-9	S-752 1-5, 1-15, 1-21
11677 1-23, 1-25, 1-27, 1-29	K42394 1-7, 1-9	S-1198 1-15
11723	K42396 1-7, 1-9	S-1302 1-7, 1-17
1-31, 1-33, 1-35, 1-37, 1-39	K42468 1-3, 1-7, 1-9	S29967 1-33, 1-35
11740 1-5, 1-15, 1-17, 1-21	K42469 1-21	S39391 1-21
12039 1-3, 1-47	K42475 1-19	
12100 1-29	K42477 1-17	W
12166 1-3, 1-7, 1-9, 1-33, 1-35, 1-37, 1-39, 1-44	K42480 1-3, 1-21	W-471 1-15
12174 1-9	K44008 1-7, 1-9	W-477 1-11, 1-17, 1-19
12196 1-9	K44257 1-31, 1-33, 1-35, 1-37, 1-39, 1-41, 1-43	W-497 1-19
12197 1-9	K44258 1-31, 1-33, 1-35, 1-37, 1-39, 1-41, 1-43	W-504 1-19
12202 1-9	K44259 1-31, 1-33, 1-35, 1-37, 1-39, 1-41, 1-43	W-513 1-7
12205 1-9	K44260 1-31, 1-33, 1-35, 1-37, 1-39, 1-41, 1-43	W-516 1-21
12206 1-9	K44261 1-31, 1-33, 1-35, 1-37, 1-39, 1-41, 1-43	W-517 1-19
12224 1-9	K44262 1-31, 1-33, 1-35, 1-37, 1-39, 1-41, 1-43	W-518 1-15
12244 1-33, 1-35, 1-37	K44274 1-3, 1-5	W-522 1-7
12290 1-3, 1-15	K45448 1-21	W-526 1-13, 1-19
12302 1-3, 1-31, 1-33, 1-35, 1-37, 1-44	K45683 1-15	W-527 1-15
12459 1-44	K53973 1-7, 1-33, 1-35	W-538 1-9, 1-11, 1-15, 1-17
12474 1-3, 1-17	K53980 1-7	W-539 1-15
12494 1-3, 1-5, 1-7, 1-9	K53981 1-7	W-907 1-9
12519 1-3, 1-5, 1-7, 1-9, 1-15	K53987 1-7	W-1552 1-15
12520 1-3, 1-12, 1-13	K53993 1-7	W-3328 1-27, 1-29
12525 1-3, 1-13	K56756 1-31, 1-33, 1-35, 1-37, 1-39, 1-41, 1-43	W-4647 1-3
12526 1-3, 1-13	K56776 1-29	W14434 1-19
12527 1-3, 1-12	K56777 1-29	W14501 1-13
12528 1-3, 1-12	K58908 1-46	
12529 1-21	K58933 1-46	
12532 1-3, 1-7, 1-9	K58934 1-46	
12533 1-3, 1-7, 1-9	K58936 1-46	
B	N	
BW-11 1-17	N16143 1-33, 1-35	
C	N29358 1-33, 1-35	
C-817 1-31, 1-33, 1-35, 1-37	N34475 1-15	
C-3016 1-13	N37876 1-33, 1-35	
C15768 1-21		
C32690 1-47		
C33957 1-15		
D		
D-5251 1-7, 1-12, 1-13, 1-15		
D-5489 1-9		



CORPORATE OFFICE & TRAINING CENTER
2131 Airport Drive, Saskatoon, SK Canada S7L 7E1
Tel: 306-933-8585 Fax: 306-933-8626
U.S.A. Toll-Free: 866-663-8515
www.morris-industries.com/proag
Questions? email: info@morris-industries.com

It is the policy of ProAG to improve its products whenever it is possible to do so. ProAG reserves the right to make changes or add improvements at any time without incurring any obligation to make such changes on machines sold previously.