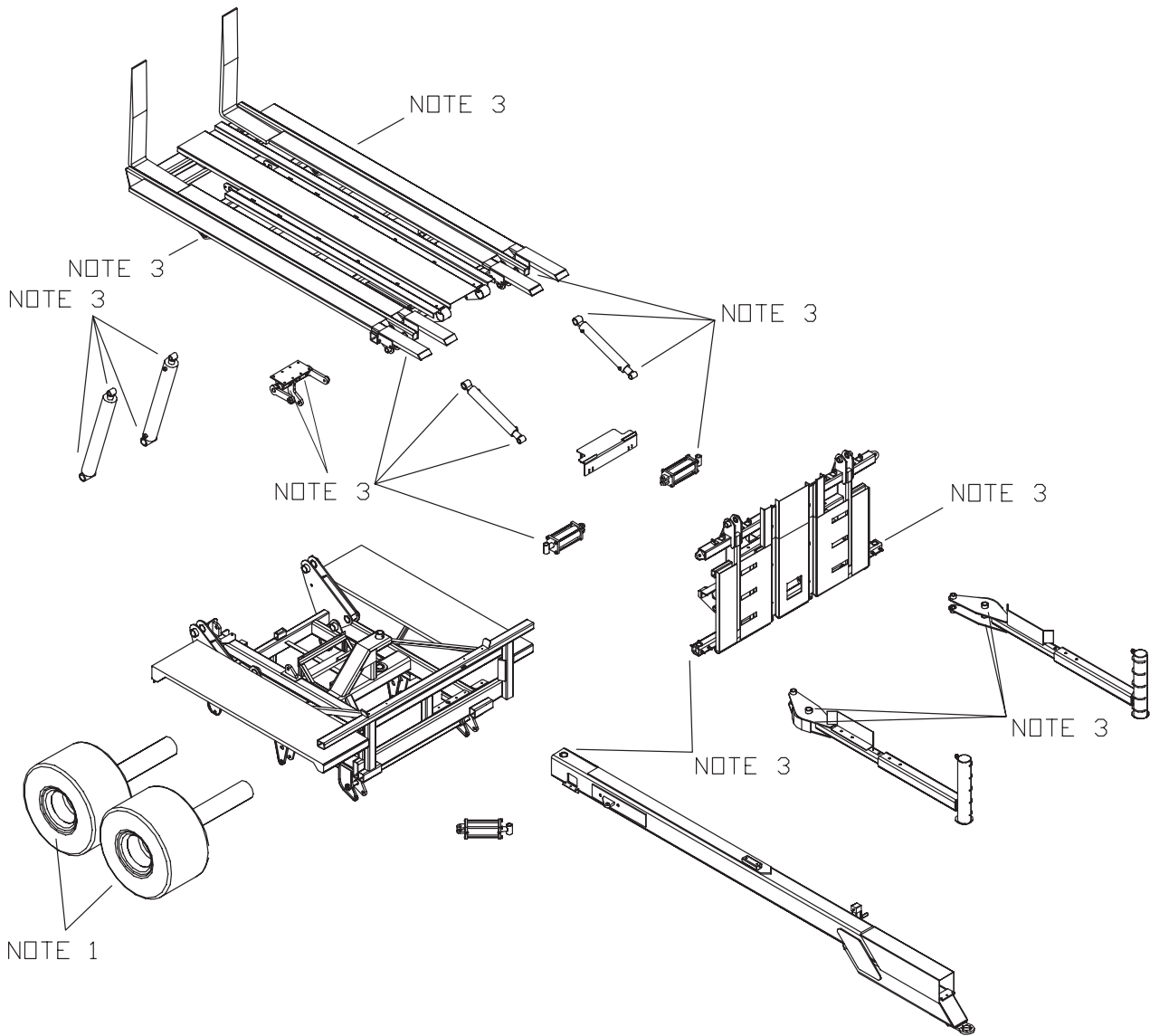


Lubrication Points



Notes:

- 1. Make sure hubs have oil and the plug is in the hub caps. Changing bearings is difficult and requires large size tools.
- 2. Grab hooks have no grease zerks. See grab hook assembly for location of plastic bushings.
- 3. 10 hour grease point.
- 4. 2 Grease points on tensioner and chain drive shaft bearings.

Lubricants

Hydraulic oil.....High quality that meets or exceeds tractor specifications
Axle hub oil..... 80-90 gear lube
Grease..... Non clay based